

# International TiLite T-Series Order Form

Effective September 2020

DUAL-TUBE RIGID FRAME

DEALER INFORMATION		RTS INFORMATION	
Dealer:	Account #:	RTS:	Phone:
PO:	Ordered By:	Email:	
Email:		SHIP TO INFORMATION	
Mark For:		Name:	Ship Via:
TiLite Sales Rep:		Address:	
<b>TiLite Information:</b>	Promo Code:	Town:	County: Postcode:
Ship Date:	Order #:	Phone:	Fax:

Please email to Permobil at [info@permobil.co.uk](mailto:info@permobil.co.uk)

## FRAME STYLE

- ATFS1  **Aero T Aluminum Frame** (Full Adjustability. 265 Pound Weight Limit. For Rear Seat Width A and Seat Depth B of 15" or greater, use K0005. For Rear Seat Width A and Seat Depth B of less than 15", use E1235.)..... **£1,995**
- TAFS1  **TRA Titanium Frame** (Full Adjustability. 265 Pound Weight Limit. For Rear Seat Width A and Seat Depth B of 15" or greater, use K0005. For Rear Seat Width A and Seat Depth B of less than 15", use E1235.)..... **£2,715**
- TRFS1  **TR Titanium Frame Ultimate TiFIT** (Minimal Adjustability. 265 Pound Weight Limit. For Rear Seat Width A and Seat Depth B of 15" or greater, use K0005. For Rear Seat Width A and Seat Depth B of less than 15", use E1235.)..... **£2,895**

**TILITE SPECIAL EDITIONS** If selecting one of the TiLite Special Edition Upgraded Component Packages, you must still fill out the entire order form. Edition options will override inconsistent selections. Options cannot be added or deleted. A reinforced frame is not compatible with SuperLite Edition.

- TP1  **SuperLite Edition**
- TFTR2 Titanium Open Loop Footrest..... **£182**
- OR
- TFTR1 Titanium Footrest w/Flat ABS Cover..... **£136**
- Seat Back Type**
- TSB2 Folding Titanium Back..... **£136**
- OR
- TSB15 Non-Folding, Fixed Height Titanium Back..... **£196**
- TSB5 Carbon Fiber TiShaft™ Back Release Bar (Not available with Non-Folding, Fixed Height Titanium Back.)... **£49**
- TCBR3 Titanium Camber Tube or TCBR15 Aluminum Camber Tube..... **£136**
- TFK2 TiLite Slipstream Single-Sided Fork..... **£136**
- TTFS1 Titanium Fork Stem..... **£38**

Retail: £636 - £740

**SuperLite Edition Price: £585**

- TP5  **Black Edition** (Black Edition includes: Black Lava Frame Color, Black Anodize Package, LiteSpeed Front Wheels (Must Choose Front Wheel Size, Carbon Fiber TiShaft™ Back Release Bar and TiLite Slipstream Single-Sided Fork.)..... **£755**

### Exclusive To The Black Edition

- Black on Black Tattoo
- Black Lava Footrest



Diamond Embossed Ultrasuede Backrest Stripe w/Black TiLite Logo

- THDR1  **Heavy Duty Frame** (Not Available with TR Titanium Frame. 350 Pound Weight Limit. No charge when 20" Rear Seat Width A and 20" Seat Depth B are selected. Includes Tension Adjustable by Straps Back Upholstery. Requires Folding Aluminum Adjustable Height Backrest, Billet Aluminum Front Wheels, Shadow or Spinergy SPOX Rear Wheels. LX Rear Wheels only available with 0 or 2 degree camber. Not available with SuperLite Edition, Slipstream Fork, Velcro Adjustable Upholstery, Open Loop Footrest, V-Front Taper or Glide™ Forks.)..... **£304**

- TQST1  **Q'Straint Adaptable Frame** (350 Pound Weight Limit. No charge when 20" Rear Seat Width A and 20" Seat Depth B are selected. Includes Tension Adjustable by Straps Back Upholstery. Requires Folding Aluminum Adjustable Height Backrest, Billet Aluminum Front Wheels, Shadow or Spinergy SPOX Rear Wheels. LX Rear Wheels, only available with 0 or 2 degree camber. Not available with SuperLite Edition, Slipstream Fork, Velcro Adjustable Upholstery, Open Loop Footrest, V-Front Taper or Glide™ Forks.)..... **£304**

- TRFR1  **Reinforced Frame** (No charge when 20" Rear Seat Width A and 20" B Seat Depth are selected.)..... **£238**

## FRAME FINISHES

- TFF1  Satin (Available with Titanium Frame only)..... **STD**
- SCBT1  Satin Finish Buffing Pads..... **£10**
- TFF2  Polished..... **£510**
- TFF3  Tattooed Titanium™ (Tattoos on front frame tubes. Titanium frame finished in Satin. Tattoos will be trimmed and adjusted to fit your frame.)..... **£241**

- TFF45  Need for Speed
- 

- TFF44  Flower Garden
- 

- TFF43  Mosaic
- 

## FRAME FINISHES

- |                          |  |   |  |
|--------------------------|--|---|--|
| <b>High Gloss Paint</b>  | <input type="checkbox"/> TFF8 Super Wet Black      | <input type="checkbox"/> TFF10 TiLite Red         | <input type="checkbox"/> TFF29 Neon Pink           |
| <b>Metallic Paint</b>    | <input type="checkbox"/> TFF14 Ocean Blue Metallic | <input type="checkbox"/> TFF15 Tangerine Metallic | <input type="checkbox"/> TFF30 Acid Green Metallic |
| <b>Pearlescent Paint</b> | <input type="checkbox"/> TFF17 Midnight Blue Pearl | <input type="checkbox"/> TFF18 White Pearl        |  |
| <b>Matte Paint</b>       | <input type="checkbox"/> TFF19 Black Lava          | <input type="checkbox"/> TFF27 Titanium Grey      |  |

Permobil Ltd. Regus 6<sup>th</sup> Floor, Two Kingdom Street, Paddington, London, W2 6BD

Email: [info@permobil.co.uk](mailto:info@permobil.co.uk)

Phone: +44 (0)1484 722 888

VAT No: 780130457

Company Reg. No: 4284728

# International TiLite T-Series Order Form



Effective April 1, 2019 (New Items in Red)

DUAL-TUBE RIGID FRAME

- Candy Paint**     TFF22 Ruby Red                       TFF23 Azure Blue                       TFF25 Electric Plum  
**Matte Textured Paint**  TFF40 Hyper Blue                       TFF41 Flame Orange                       TFF42 OD Green.....**STD**

## COLOR ANODIZE PACKAGE

(Color Anodize Package includes: Aluminum Camber Tube (Color Anodize not available with Power Adaptable Camber Tube), Camber Mount, Footrest Clamp, Caster Mount, Footrest Clamp, Caster Fork, Caster Cap and Agility Carbon Back clamps. If no anodize color is selected, the default will be black.)

- TANO1 Black.....**STD**  
 TANO5 Sapphire     TANO3 Red Pepper     TANO6 Burnt Orange     TANO8 Ultraviolet     TANO9 Fuchsia.....**£119**

## TiFit: TAILORED INDIVIDUALIZED FRAME

**REAR SEAT WIDTH A** Measure from outside of seat tube at back post to the outside of the opposite seat tube at back post.

- TSW1     12"     13"     14"     15"     16"     17"     18"     19".....**STD**  
 TSW2     20" (HCPCS code only applies to 20" Rear Seat Width A).....**£346**

**FRONT SEAT WIDTH (SEAT TAPER) T** Measure from inside of front frame tube to inside of opposite front frame tube. (Required with V-Front End V. Not Available with Standard Front End I.)

- TFSW1     No Taper.....**STD**  
 TFSW2     1" Taper (3" Narrower than Rear Seat Width A. Includes Tension Adjustable by Straps Seat Upholstery.).....**£196**  
 TFSW4     2" Taper (4" Narrower than Rear Seat Width A. Includes Tension Adjustable by Straps Seat Upholstery.).....**£196**  
 TFSW6     3" Taper (5" Narrower than Rear Seat Width A. Includes Tension Adjustable by Straps Seat Upholstery. Not available with 12" Seat Width.).....**£196**

**SEAT DEPTH B** Measure from front of back post to the front edge of seat sling. Frame bend will start .5" in front of seat sling unless Custom Frame Depth is specified, or the combination of specifications affect the rolling dynamics of the chair.

- TSD1     12"     13"     14"     15"     16"     17"     18"     19".....**STD**  
 TSD2     20".....**£364**  
 TSD3     Custom Frame Depth: \_\_\_\_\_" Frame Depth Longer or Shorter Than Seat Depth (Measure from front of seat sling to beginning of frame bend. Ranges from 0.25" to 3" and can be given as specific as 1/4" increments. A negative Custom Frame Depth or specified above 3" may be available through our Creative Mobility Division. A Custom Frame Depth of 20" will have an additional charge).....**NCO**

**ERGONOMIC SEAT U** Measure from front of back post to beginning of upward bend of seat tube.

- TERG1     TR Ergonomic Seat (Not available with Tension Adjustable Bolt On Seat Upholstery)  
 5" (12.7cm)     6" (15.2cm)     7" (17.8cm)     8" (20.3cm)     9" (22.9cm).....**£287**

- TERG2**     **Aero T and TRA Ergonomic Seat** (Center of Gravity adjustment may be affected by this option. Not available with V-Front or Seat Taper, Seat Back that Locks When Folded, Desk Arms, Depth Adjustable Backrests, Fold Down Rigid Sideguards, Fendered Adjustable Sideguards, Solid Seat, Tension Adjustable Bolt On Seat Upholstery, or the Curve cushion.)  
 6" (15.2cm) (Minimum Seat Depth B 12")     7" (17.8cm) (Minimum Seat Depth B 12")  
 8" (20.3cm) (Minimum Seat Depth B 13") .....**£287**

**FRONT SEAT HEIGHT C** Measure from floor to top of seat tube at front edge of seat sling.

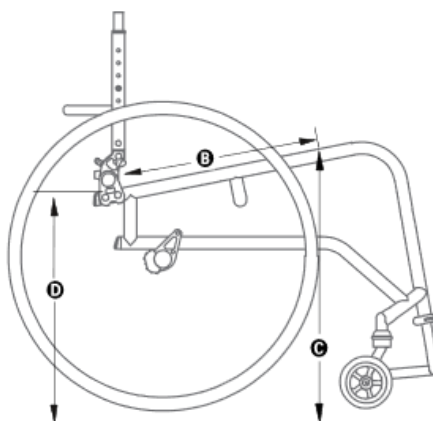
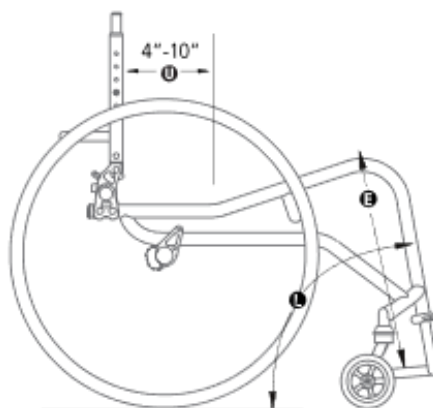
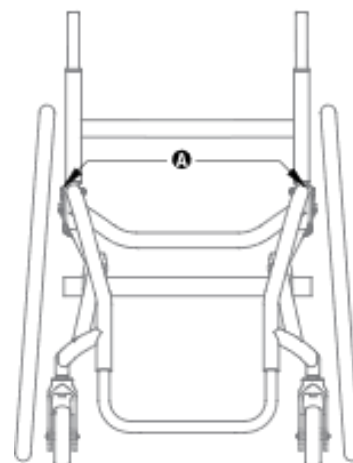
- TFSH1     15" (38.1cm)     16" (40.6cm)     16.5" (41.9cm)     17" (43.2cm)     17.5" (44.5cm)     18" (45.7cm)     18.5" (47cm)     19" (48.3cm)     19.5" (49.5cm)     20" (50.8cm)     20.5" (52.1cm)     21" (53.3cm).....**STD**

**REAR SEAT HEIGHT D** Measure from floor to top of seat tube at back post.

Rear Wheel Size	Rear Seat Height
20"	12.5"-20" (31.8-53.3 cm)
22"	13.5"-20" (34.3-53.3 cm)
24"	14.5"-20" (15" on AeroT/TRA) (36.8-53.3 cm)
25"	15.0"-20" (38.1-53.3 cm)
26"	15.5"-20" (38.1-53.3 cm)

## REAR SEAT HEIGHT

- TRSH1     13" (33cm)     13.5" (34.3cm)     14" (35.6cm)     14.5" (36.8cm)     15" (38.1cm)     15.5" (39.4cm)     16" (40.6cm)     16.5" (41.9cm)     17" (43.2cm)     17.5" (44.5cm)     18" (45.7cm)     18.5" (47cm)     19" (48.3cm)     19.5" (49.5cm)     20" (50.8cm) .....**STD**



## TiFit: TAILORED INDIVIDUALIZED FRAME

**FRONT ANGLE L** Measure from frame front to floor.

TFA1      70°  75°  80°  85° (Not available with 6" Front Wheels.)  90°  
 (Not available with 5" or 6" Front Wheels.).....**STD**

**SEAT TO FOOTEST E/FOOTESTS** Measure from front edge of seat sling to top rear of footrest.

**Standard Footrests** Measurement must be at least 2" shorter than Front Seat Height C.

13.5" (34.3cm)  14" (35.6cm)  14.5" (36.8cm)  15" (38.1cm)  15.5" (39.4cm)  16" (40.6cm)  
 16.5" (41.9cm)  17" (43.2cm)  17.5" (44.5cm)  18" (45.7cm)  18.5" (47cm)  19" (48.3cm)

TFTR3      Angle Adjustable Footrest.....**STD**

TFTR1      Titanium Footrest w/Flat ABS Cover.....**£136**

TFTR2      Titanium Open Loop Footrest.....**£182**

TFTR12     Flip-Back Footrest (Not available with ABS Cover with 2" Sides or Front Roller.).....**£151**

**High Mount Footrest**

7"-9"  9"-11"  11"-13" Set at \_\_\_\_\_ (Use 1/2" increments)

TFTR4      Angle Adjustable High Mount Footrest.....**£70**

**FOOTEST WIDTH I or V** Select either a Standard Front End I if no Seat Taper T is selected or a V-Front End V if a Seat Taper T is selected.

**STANDARD FRONT END I** Find your Rear Seat Width A in the Chart below and select one of the options to the right.

Measure from inside of front frame tube to inside of opposite front frame tube.

TFE1      NO V-Front Taper.....**STD**

REAR SEAT WIDTH A (Outside Measurement)	FOOTREST WIDTH I		
	No Taper <small>(2" Narrower than Rear Seat Width)</small>	2" Taper <small>(4" Narrower than Rear Seat Width)</small>	4" Taper <small>(6" Narrower than Rear Seat Width)</small>
12"	<input type="checkbox"/> 10"	<input type="checkbox"/> 8"	
13"	<input type="checkbox"/> 11"	<input type="checkbox"/> 9"	
14"	<input type="checkbox"/> 12"	<input type="checkbox"/> 10"	<input type="checkbox"/> 8"
15"	<input type="checkbox"/> 13"	<input type="checkbox"/> 11"	<input type="checkbox"/> 9"
16"	<input type="checkbox"/> 14"	<input type="checkbox"/> 12"	<input type="checkbox"/> 10"
17"	<input type="checkbox"/> 15"	<input type="checkbox"/> 13"	<input type="checkbox"/> 11"
18"	<input type="checkbox"/> 16"	<input type="checkbox"/> 14"	<input type="checkbox"/> 12"
19"	<input type="checkbox"/> 17"	<input type="checkbox"/> 15"	<input type="checkbox"/> 13"
20"	<input type="checkbox"/> 18"	<input type="checkbox"/> 16"	<input type="checkbox"/> 14"

**V-FRONT END V** Measure from inside of front frame tube to inside of opposite front

frame tube 2-1/2" above footrest. (Titanium Footrests have 1" of adjustment up and down. Not available with Ergonomic Seat frames. 1/2" increment settings available through Creative Mobility Division)

TFE2      V-Front Taper.....**£80**

9" (22.9cm)      10" (25.54cm)      11" (27.9cm)  
 12" (30.5cm)      13" (33cm)      14" (35.6cm)  
 15" (38.1cm)

**SEAT BACK TYPE/PUSH HANDLES/SEAT BACK HEIGHT F** Measure from top of back post to top of seat tube at rear of frame.

TSB1      Folding Aluminum Adjustable Height w/Precision Lock Back.....**STD**

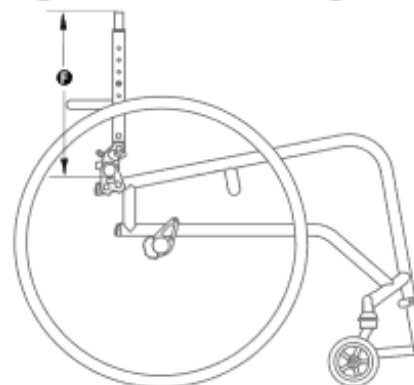
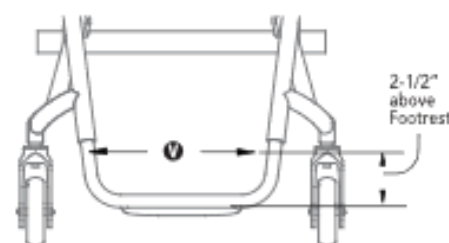
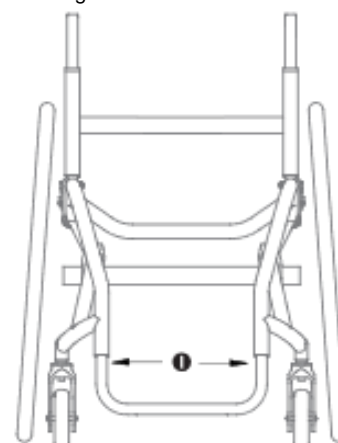
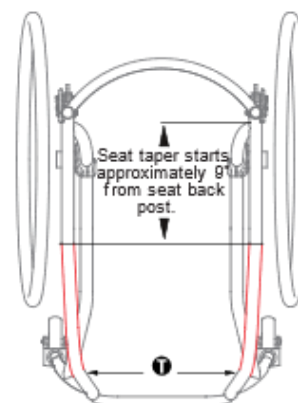
TSB2      Folding Titanium Adjustable Height w/Precision Lock Back and Rounded Rigidizer Bar (Titanium back will match Frame Finish. Not available with Bolt-On Push Handles.).....**£136**

TSB15     Non-Folding, Fixed Height Titanium with New Rounded Rigidizer Bar (Not Available with TRA. Titanium back will match Frame Finish. Not available with Push Handles.).....**£196**

**TISHAFT™ BACK RELEASE BARS** (Not available with Non-Folding, Fixed Height Titanium Back.)

TSB3      Aluminum.....**STD**

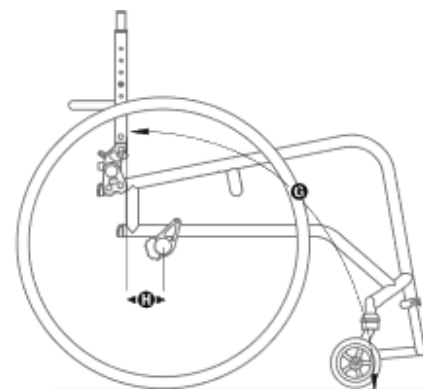
TSB5      Carbon Fiber.....**£49**



**TiFit: TAILORED INDIVIDUALIZED FRAME**

**PUSH HANDLES**

- TSB6  Integrated Push Handles..... **NCO**
- TSB7  Integrated Fold-Down Push Handles (Requires Tension Adjustable by Straps Back Upholstery.)..... **£80**
- TSB8  Bolt-On Push Handles (Includes 4" Deep Backrest Rigidizer Bar. Not available with Ti Back.)..... **£136**
- TSB9  Bolt-On Height-Adjustable Push Handles (Includes 4" Deep Backrest Rigidizer Bar. Not available with Ti Back.)..... **£234**



**FOLDING SEAT BACK HEIGHT F (TSB1 and TSB2)**

Push Handles (Selected Above)	Short	Medium	Tall	Set at: (Use 1/2" increments)
None/ Bolt-On	<input type="checkbox"/> 9.5"-12.5"	<input type="checkbox"/> 13"-17.5"	<input type="checkbox"/> 17"-21.5"	Set at: _____
Integrated	<input type="checkbox"/> 11.5"-13.5"	<input type="checkbox"/> 14.5"-17.5"	<input type="checkbox"/> 18.5"-21.5"	Set at: _____
Integrated Fold-Down	<input type="checkbox"/> 14"-16.5"	<input type="checkbox"/> 15.5"-19.5"	<input type="checkbox"/> 19.5"-22"	Set at: _____

**NON-FOLDING, FIXED-HEIGHT F TITANIUM SEAT BACK** with New Rounded Rigidizer Bar (TSB15) (Titanium back will match Frame Finish. Required for fixed Side Guards. Not available with Swing Away Tubular or Swing Away - Flip Back Tubular Armrests and Integrated Push Handles, Integrated Fold-Down Push Handles or Bolt-On Height Adjustable Push Handles.)

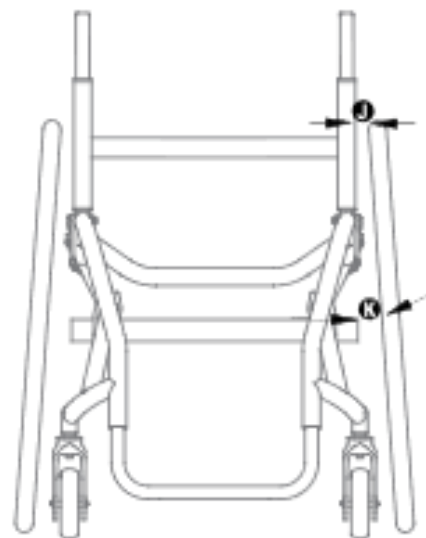
- 5" (12.7cm)  5.5" (14cm)  6" (15.2cm)  6.5" (16.5cm)  7" (17.8cm)  7.5" (19.1cm)  8" (20.3cm)
- 8.5" (21.6cm)  9" (22.9cm)  9.5" (24.1cm)  10" (25.4cm)  10.5" (26.7cm)  11" (27.9cm)  11.5" (29.2cm)
- 12" (30.5cm)  12.5" (31.8cm)  13" (33cm)  13.5" (34.3cm)  14" (35.6cm)  14.5" (36.8cm)  15" (38.1cm)
- 15.5" (39.4cm)  16" (40.6cm)  16.5" (41.9cm)  17" (43.2cm)  17.5" (44.5cm)  18" (45.7cm)  18.5" (47cm)
- 19" (48.3cm)  19.5" (49.5cm)  20" (50.8cm)

**AVAILABLE ON ALL BACKS**

- TSB11  Backrest that Locks when Folded (Not available with Ergonomic Seat.)..... **STD**
- TSB12  4" Deep Backrest Rigidizer Bar ( Not available with a Non-Folding, Fixed Height Titanium Seat Back Type.4" Deep Rigidizer Bar is NOT a rounded style rigidizer bar.)..... **NCO**

**SEAT BACK ANGLE G** Measure angle from front of back post to floor.

- TSBA1 **Folding Back**  
 80°  83°  86°  89°  92°  95°  98°  101° ..... **STD**
- TSBA1 **Non-Folding Back**  
 80°  81°  82°  83°  84°  85°  86°  87°  88°  89°  90°  
 91°  92°  93°  94°  95°  96°  97°  98°  99°  100°  101° ..... **NCO**



**CENTER OF GRAVITY H** Measure from front of back post at the seat tube to the center of the rear axle. If no center of gravity is selected, chair will ship with the center of gravity in the rearward-most position.

- TCOG1  1" (2.5cm)  1.25" (3.2cm)  1.5" (3.8cm)  1.75" (4.4cm)  2" (5.1cm)  
 2.25" (5.7cm)  2.5" (6.4cm)  2.75" (7cm)  3" (7.6cm)  3.25" (8.3cm)  
 3.5" (8.9cm)  3.75" (9.5cm)  4" (10.2cm)  4.25" (10.8cm)  4.5" (11.4cm)  4.75" (12.1cm)  5" (12.7cm)  
..... **STD**

**REAR WHEEL SPACING J/PLUGS** Measure from outside of seat back post to inside of rear tire. TRA 0.75" Rear Wheel Spacing not available with 0° or 2° Camber K. Ergonomic Seat selection may limit available center of gravity.

- TRWS1  0.75"  1"  1.25" ..... **STD**
- TCBR12  Adjustable Rear Wheel Spacing Camber Plugs (Not available with Power Adaptable Frame.)..... **STD**
- TCBR9  Additional Spacers to Increase Rear Wheel Spacing..... **NCO**
- TCBR11  Zero Play Aluminum Camber Plugs (Not available with Power Adaptable Frame or more than 6° of Camber K.)..... **NCO**

**CAMBER K/CAMBER TUBES**

- TCBR1  0°  2°  4°  6° (8° of Camber K may be available through our Creative Mobility Division.)..... **STD**
- TCBR15  Aluminum Camber Tube..... **STD**
- TCBR3  Titanium Camber Tube (Not available with Power Adaptable Frame.)..... **£136**

**CUSTOM CONFIGURATION OPTIONS**

**FRONT WHEELS**

TFW24	<input type="checkbox"/> 3"x1.5" LiteSpeed Billet Aluminum Wheel w/Soft Roll Tire <input type="checkbox"/> Silver Hub <b>OR</b> <input type="checkbox"/> Black Hub.....	<b>£122</b>
TFW14	<input type="checkbox"/> 4"x.75" Plastic Wheel w/Poly Tire (Not available with Slipstream Fork, Glide™ Single-Sided Fork or Power Adaptable Frame.)	<b>NCO</b>
TFW3	<input type="checkbox"/> 4"x.75" Light-Up Micro-Caster (Not available with Slipstream Fork, Glide™ Single-Sided Fork or Power Adaptable Frame.)....	<b>£56</b>
TFW25	<input type="checkbox"/> 4"x.75" LiteSpeed Billet Aluminum Wheel w/Poly Tire <input type="checkbox"/> Silver Hub <b>OR</b> <input type="checkbox"/> Black Hub.....	<b>£101</b>
TFFW26	<input type="checkbox"/> 4"x1.5" LiteSpeed Plastic Wheel w/Soft Roll Tire (Not available with Power Assist, Power Add-on System or Heavy Duty Frame.).....	<b>£66</b>
TFW27	<input type="checkbox"/> 4"x1.5" LiteSpeed Billet Aluminum Wheel w/Soft Roll Tire <input type="checkbox"/> Silver Hub <b>OR</b> <input type="checkbox"/> Black Hub.....	<b>£129</b>
TFW6	<input type="checkbox"/> 5"x1" Plastic Wheel w/Poly Tire (Not available with 90° Front Angle L, Slipstream Fork, Glide™ Single-Sided Fork or Power Adaptable Frame.).....	<b>NCO</b>
TFW28	<input type="checkbox"/> 5"x1.5" LiteSpeed Plastic Wheel w/Soft Roll Tire (Not available with 90° Front Angle L or Power Adaptable Frame.).....	<b>£66</b>
TFW30	<input type="checkbox"/> 5"x1.5" LiteSpeed Billet Aluminum Wheel w/Soft Roll Tire <input type="checkbox"/> Silver Hub <b>OR</b> <input type="checkbox"/> Black Hub (Not available with 90° Front Angle L.).....	<b>£143</b>
TFW9	<input type="checkbox"/> 6"x1" Plastic Wheel w/Poly Tire (Not available with 85° or 90° Front Angle L, Slipstream Fork, Glide™ Single-Sided Fork or Power Adaptable Frame.).....	<b>NCO</b>
TFW32	<input type="checkbox"/> 6"x1.5" LiteSpeed Plastic Wheel w/Soft Roll Tire (Not available with 85° or 90° Front Angle L, Slipstream Fork, Glide™ Single-Sided Fork or Power Adaptable Frame.).....	<b>£70</b>
TFW33	<input type="checkbox"/> 6"x1.5" LiteSpeed Billet Aluminum Wheel w/Soft Roll Tire <input type="checkbox"/> Silver Hub <b>OR</b> <input type="checkbox"/> Black Hub (Not available with 85° or 90° Front Angle L, Slipstream Fork, Glide™ Single-Sided Fork.).....	<b>£150</b>

**PRECISION LOCK FRONT FORKS**

TFK1	<input type="checkbox"/> TiLite Standard Fork.....	<b>STD</b>
TFK2	<input type="checkbox"/> TiLite Slipstream Single-Sided Fork (Not available with Power Adaptable Frame.).....	<b>£136</b>
TGL1	<input type="checkbox"/> Out-Front Glide™ Suspension Fork (Black anodize only.).....	<b>£336</b>
	Rider's Weight: <input type="checkbox"/> 125 lbs. <input type="checkbox"/> 125-180 lbs. <input type="checkbox"/> 180-265 lbs.	
TGL2	<input type="checkbox"/> Out-Front Glide™ Single-Sided Suspension Fork (Black anodize only. Not available with 6" Front Wheels.).....	<b>£434</b>
	Rider's Weight: <input type="checkbox"/> 125 lbs. <input type="checkbox"/> 125-180 lbs. <input type="checkbox"/> 180-265 lbs.	
TTFS1	<input type="checkbox"/> Titanium Fork Stem.....	<b>£38</b>

**STANDARD REAR WHEELS (See Rear Seat Height Ranges Chart for Rear Seat Height D limitations.)**

TRW14	TiLite SHADOW™.....	<b>STD</b>
	<input type="checkbox"/> 20"(451)	
	<input type="checkbox"/> 22"(501)	
	<input type="checkbox"/> 24"(540)	
	<input type="checkbox"/> 25"(559) (Requires 15" minimum Seat Depth B.)	
	<input type="checkbox"/> 26"(590) (Requires 15" minimum Seat Depth B.)	

**PERFORMANCE REAR WHEELS (See Rear Seat Height Ranges Chart for Rear Seat Height D limitations.)**

TRW7	Spinergy SPOX <input type="checkbox"/> Black <input type="checkbox"/> Red <input type="checkbox"/> Yellow <input type="checkbox"/> Blue <input type="checkbox"/> White.....	<b>£405</b>
	<input type="checkbox"/> 22"(501) - Std. Hub	
	<input type="checkbox"/> 24"(540) - Std. Hub	
	<input type="checkbox"/> 25"(559) - Std. Hub (Requires 15" minimum Seat Depth B.)	
	<input type="checkbox"/> 26"(590) - Sport Hub (Requires 15" minimum Seat Depth B. Not available with Quad Release Axles.)	
TRW8	Spinergy LX <input type="checkbox"/> Black <input type="checkbox"/> Red <input type="checkbox"/> Yellow <input type="checkbox"/> Blue <input type="checkbox"/> White <input type="checkbox"/> Go Green <input type="checkbox"/> Bright Orange <input type="checkbox"/> Flamingo Pink.....	<b>£590</b>
	<input type="checkbox"/> 22"(501) - Std. Hub	
	<input type="checkbox"/> 24"(540) - Std. Hub	
	<input type="checkbox"/> 25"(559) - Std. Hub (Requires 15" minimum Seat Depth B.)	
	<input type="checkbox"/> 26"(590) - Sport Hub (Requires 15" minimum Seat Depth B. Not available with Quad Release Axles.)	
TRW16	Spinergy Carbon Blade (Not available with Heavy Duty Frame, Natural-Fit or Natural-Fit LT with Standard Grip or Super Grip.)....	<b>£895</b>
	<input type="checkbox"/> 24"(540)	
	<input type="checkbox"/> 25"(559) (Requires 15" minimum Seat Depth B.)	
TRW17	X-Core Mag (Not available with Heavy Duty Frame, Short Tabs, Quad Release Axles, Spoke Guards or Omit Handrims Option. Requires Aluminum Sliver Anodized Handrims.).....	<b>£77</b>
	<input type="checkbox"/> 20"(451)	
	<input type="checkbox"/> 22"(501)	
	<input type="checkbox"/> 24"(540)	

**AXLES**

TAXL1	<input type="checkbox"/> Stainless Quick Release.....	<b>STD</b>
TAXL2	<input type="checkbox"/> Titanium Quick Release.....	<b>£175</b>
TAXL3	<input type="checkbox"/> Quad Release (Not available with Mag or 26"(590) Spinergy Spox or LX Rear Wheels.).....	<b>£108</b>

**CUSTOM CONFIGURATION OPTIONS****PNEUMATIC REAR TIRES**

TRTR1	<input type="checkbox"/> Treaded (Not available with 25"(559) or 20" (451) Rear Wheels.)	STD
TRTR2	<input type="checkbox"/> Airless Inserts (Not available with Spinergy Carbon Blade Rear Wheels.)	£66
TRTR3	<input type="checkbox"/> 25"(559) Primo Treaded (Standard with 25"(559) Rear Wheels.)	STD
TRTR4	<input type="checkbox"/> Primo Slick	NCO
TRTR30	<input type="checkbox"/> 24"(540), 25"(559) and 26"(590) Primo Sentinel	£91
TRTR8	<input type="checkbox"/> 24"(540), 25"(559) and 26"(590) Schwalbe® Marathon Plus Evolution	£73
TRTR9	<input type="checkbox"/> 24"(540) and 25"(559) Schwalbe® Slick	£73
TRTR24	<input type="checkbox"/> 24"(540) Kenda Kobra Knobby	£56

**SOLID REAR TIRES** (Not available with Spinergy Carbon Blade Rear Wheels.)

TRTR22	<input type="checkbox"/> 20"(451), 22"(501), 24"(540) and 25"(559) Primo Express	£77
TRTR23	<input type="checkbox"/> 24"(540) and 25"(559) Primo Active	£94

**HANDRIMS****Handrims by OUT-FRONT®**

TRIM1	<input type="checkbox"/> Aluminum – Silver Anodized	STD
TRIM21	<input type="checkbox"/> Aluminum – Black Anodized (Not available with 20"(451) Rear Wheels.)	£38
TRIM12	<input type="checkbox"/> Titanium – Satin Finish (Not available with 20"(451) or 22"(501) Rear Wheels, or 24"(540) Knobby tires.)	£318
TRIM10	<input type="checkbox"/> The Surge (All-In-One Oval with Gription™ Strip, Larger Profile) (Not available with 20"(451) Rear Wheels.)	£255
TRIM11	<input type="checkbox"/> The Surge LT (All-In-One Oval with Gription™ Strip, Smaller Profile) (Not available with 20"(451) Rear Wheels.)	£276
TRIM20	<input type="checkbox"/> Q-Grip (Exclusive High-Friction, Anti-Slip Coating) (Not available with 20"(451) Rear Wheels.)	£234

**The Natural-Fit® (Original, Larger Profile)** (Not available with 20"(451) Rear Wheels.)

TRIM14	<input type="checkbox"/> Standard Grip (Not available with Short Tabs or Spinergy Carbon Blade Rear Wheels.)	£248
TRIM15	<input type="checkbox"/> Super Grip (Not available with Short Tabs or Spinergy Carbon Blade Rear Wheels.)	£280
TRIM16	<input type="checkbox"/> Without Thumb Grip	£231

**The Natural-Fit® LT (Reduced Weight, Smaller Profile)** (Not available with 20"(451) Rear Wheels.)

TRIM17	<input type="checkbox"/> Standard Grip (Not available with Short Tabs or Spinergy Carbon Blade Rear Wheels.)	£269
TRIM18	<input type="checkbox"/> Super Grip (Not available with Short Tabs or Spinergy Carbon Blade Rear Wheels.)	£304
TRIM19	<input type="checkbox"/> Without Thumb Grip	£252

**Additional Handrim Options**

TRIM5	<input type="checkbox"/> Plastic Coated – Black	£91
TRIM22	<input type="checkbox"/> Omit Handrims	NCO

**Tab Length**

TRIM7	<input type="checkbox"/> Long Tabs	STD
TRIM8	<input type="checkbox"/> Short Tabs (Not available with Mag Rear Wheels or The Natural-Fit® Handrims with Thumb Grip.)	£14

**WHEEL LOCKS****Wheel Locks by OUT-FRONT®**

TWLK7	<input type="checkbox"/> Compact Composite Push to Lock (Available with .75" to 1.5" Rear Wheel Spacing J only.)	NCO
TWLK8	<input type="checkbox"/> Compact Composite Pull to Lock (Available with .75" to 1.5" Rear Wheel Spacing J only.)	NCO
TWLK10	<input type="checkbox"/> Extension Handles for Compact Composite Push/Pull to Lock	£63
TWLK9	<input type="checkbox"/> Composite Scissor Lock	£101

**Additional Wheel Locks**

TWLK3	Uni-Lock Set At: <input type="checkbox"/> Push <b>OR</b> <input type="checkbox"/> Pull	£115
TWLK4	<input type="checkbox"/> Extension Handles for Uni-Lock	£63
<b>TWLK15</b>	<input type="checkbox"/> <b>Grade Aids Push to Lock (Not available with solid rear tires)</b>	<b>£126</b>

**BACK UPHOLSTERY** (Want more seating options? [Click here](#) to view the new TiLite Seating Order Form.)

TBUP2	<input type="checkbox"/> Velcro Adjustable (Not available with Fold-Down Push Handles.)	STD
-------	---	-----

**Tension Adjustable by Straps** (Required with Fold-Down Push Handles.)

TBUP3	<input type="checkbox"/> Padded Nylon	£77
TBUP5	<input type="checkbox"/> AIR Breathable Upholstery (Not available with Ultrasuede or NiteLite Backrest Stripe.)	£136
TUPC3	Ultrasuede Backrest Stripe <input type="checkbox"/> Black	£73
TBUP0	<input type="checkbox"/> Omit Back Upholstery	NCO

**SEAT UPHOLSTERY**

TSUP1	<input type="checkbox"/> Tension Adjustable Bolt On (Not available with Ergonomic Seat or Tapered Seat T. Black only.)	STD
TSUP2	<input type="checkbox"/> Tension Adjustable by Straps (Standard with Ergonomic Seat and FSW (Seat Taper) T of 1", 2" or 3". Black upholstery only.)	£119
TSUP8	<input type="checkbox"/> Aluminum Solid Seat (Not available with 10" or 11" Rear Seat Width A or Ergonomic Seat U.)	£196
TSUP0	<input type="checkbox"/> Omit Seat Upholstery	NCO

**SEAT CUSHION** (Cushions & Backrest are not available on EZ-Ti for UK customers these will be ordered separately to the chair)

<input type="checkbox"/> Comfort Curve Cushion	£60
<input type="checkbox"/> ROHO Airlite Cushion	£225
<input type="checkbox"/> ROHO Quadtro Select Low Profile	£482
<input type="checkbox"/> ROHO Agility Min Contour Backrest... (other backrest options available on request)	£515

**CUSTOM CONFIGURATION OPTIONS****SIDE GUARDS**TSDG1  Cloth (Not available with Ride Designs Corbac Back Support.).....£70**Aluminum**TSDG2  Rigid Removable  Small **OR**  Std.....£136TSDG3  Quad Removable w/Hole  Small **OR**  Std.....£143TSDG4  Fold Down Rigid  Small **OR**  Std (Not available with Ergonomic Seat.).....£234TSDG6  Fendered Adjustable (Available with 24" and 25" Rear Wheels. Requires Rear Seat Height D of 14.5" to 18.5").....£234**Carbon Fiber**TSDG7  Rigid Removable  Small **OR**  Std.....£213TSDG8  Quad Removable w/Hole  Small **OR**  Std.....£220TSDG9  Fold Down Rigid  Small **OR**  Std (Not available with Ergonomic Seat or Carbon Edition.).....£318TSDG11  Fendered Adjustable (Available with 24" and 25" Rear Wheels. Requires Rear Seat Height D of 14.5" to 18.5").....£315TSDG12  Fendered Removable.....£315**Available on Aluminum and Carbon Fiber Non-Fendered Side Guards**TSDG13  Side Guards Custom Cut to Profile of Rear Wheels (Not available with Cloth.).....£217**ARMRESTS** (Desk Arms come with built-in Side Guards.)TARM1  Swing Away Tubular  6.5" to 9.5" **OR**  9.5" to 12.5" (Not Available with Non-Folding, Fixed Height Titanium Seat Back or Height Adjustable Push Handles.).....£150TARM4  Swing Away - Flip Back Tubular 8.5" to 11.5" (Not Available with Non-Folding, Fixed Height Titanium Seat Back.).....£217TARM2  Removable Height Adjustable Desk Arm with Rigid Side Guard (Requires 14" minimum Seat Depth B. Not available with Ergonomic Seat.).....£234 9" to 12" **OR**  12" to 15" Standard Length Pad (10") **OR**  Full Length Pad (14")TARM3  Removable Height Adjustable Desk Arm with Rigid Side Guard and Transfer Loop (Requires 15" minimum Seat Depth B. Not Available with Ergonomic Seat.).....£255 9" to 12" **OR**  12" to 15" Standard Length Pad (10") **OR**  Full Length Pad (14")**Available Armrest Option**TARM5  Covered in Black Ultrasuede (Not available with Desk Arms.).....£77**SEAT BELTS**TBLT1  Velcro Adjustable, Black Nylon Webbing.....£31TBLT2  Bodypoint® 2" Push-Button Buckle (Auto-Style.).....£70TBLT4  Bodypoint® 1" Wide Push-Button Buckle Padded (Auto-Style.) (Not available with 19" or 20" Rear Seat Widths A.).....£129TBLT5  Bodypoint® 1.5" Wide Push-Button Buckle Padded (Auto-Style.) (Not available with 19" or 20" Rear Seat Widths A.).....£122TBLT10  Bodypoint® Optional Band Clamp Mounting Hardware.....£14TBLT15  Bodypoint® EvoFlex® Pelvic Stabilizer Swivel.....£133TBLT16  Bodypoint® EvoFlex® Pelvic Stabilizer Push Button.....£133TBLT17  Bodypoint® EvoFlex® Pelvic Stabilizer Rehab Latch.....£133**CALF STRAP**TCLF2  Velcro Adjustable.....£24 Xtra Small (Recommended for 6" - 9" Footrest Widths.) Small (Recommended for 9" - 12" Footrest Widths.) Medium (Recommended for 11" - 15" Footrest Widths.) Large (Recommended for 14" - 17" Footrest Widths.) Xtra Large (Recommended for 16" - 19" Footrest Widths.)TCLF3  Bodypoint® Padded Velcro Adjustable.....£73 Medium (Recommended for 11" - 15" Footrest Widths.) Large (Recommended for 16" - 19" Footrest Widths.)TCLF1  Buckle Adjustable, Black Nylon Webbing.....£17**BACKPACK**TBCK3  Black Permobil Backpack.....£66**SEAT POUCH**TPCH3  Black Permobil Seat Pouch.....£38TPCH4  Bodypoint® Mobility Bag.....£73

## CUSTOM CONFIGURATION OPTIONS

### SPOKE GUARDS

TGRD1  Clear Lexan with TiMotion Logo (Not available with Mag Rear Wheels.).....£91

### ANTI-TIPS

TTIP1  Rear Aluminum - Black.....£112

TTIP7  Black Aluminum Single.....£52

Mount on  Left Side or  Right Side.....NCO

TTIP2  User Friendly Flip-up (Not available with Frog Legs® Rear Suspension.).....£234

TTIP8  User Friendly Flip-up Single.....£115

Mount on  Left Side or  Right Side.....NCO

### ACCESSORIES

TUEST1 Upper Extremity Support Tray  12" to 14" OR  13" to 15" Seat Widths A (Requires Armrests.).....£199

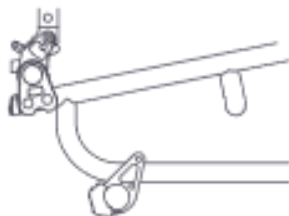
TLUG1  Luggage Carriers.....£101

TMPCT2 Neoprene Impact Guards with Ultrasuede Stripe  Black.....£73

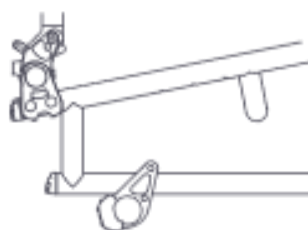
TCH1  Crutch Holder.....£101

## FRAME NOTES

The rear frame for a TR will be square when the Center of Gravity H measurement is less than 3.5". Aero T and TRA will always be a Rounded Rear Frame.



**A. Round Rear Frame**



**B. Square Rear Frame**

## GENERAL

Permobil manufactures TiLite manual wheelchairs in a wide variety of configurations to meet the varied needs of wheelchair users. The final selection of a particular model, its options and accessories, and its measurements rests solely with the wheelchair user and advising healthcare professional. These wheelchairs must be fitted by a qualified healthcare professional. HCPCS Codes are for reference purposes only. Actual coding and coverage varies by payer. Proper HCPCS coding is not a guarantee of payment. Please verify the appropriate payer's coverage policy.

**Get the latest order forms at permobilus.com.** Prices, standard features, options and accessories are subject to change without notice. All rights reserved. Trademarks are identified by symbols™ and ®. TiLite, TiFit, the TiLite logo, Ti, the Ti logo, The Titanium Experts, and TiShaft are registered trademarks of TiSport, LLC and are licensed to Permobil. Permobil® is a registered trademark of Permobil. Adobe®, Acrobat®, Acrobat Professional® and Reader® are registered trademarks of Adobe Systems Inc. Bodypoint® is a registered trademark of Bodypoint Inc. Kenda® is a registered trademark of Kenda Rubber Industrial Co. Ltd. Ride Designs® and Corbac® are registered trademarks of Aspen Seating, LLC. ROHO®, Low Profile® and Quadro Select® are registered trademarks of ROHO Inc. Schwalbe® is a registered trademark of Ralf Bohle GmbH. Supracor®, Stimulite® and Corbee® are registered trademarks of Supracor, Inc. The Natural-Fit® and Out-Front® are registered trademarks of Three Rivers Holdings, LLC. Varilite® is a registered trademark of Cascade Designs, Inc.

## NOTES

**QUOTE THIS CHAIR**

If you are using Adobe Acrobat, this order form may be converted into a quote request or into an order by clicking one of the buttons (this feature is available exclusively to Permobil dealers and distributors). A Quote or an Order Confirmation will be sent to you within 24 hours.

**ORDER THIS CHAIR**