

International TiLite Z-Series Order Form



Effective September 2020

MONO-TUBE RIGID FRAME

DEALER INFORMATION		RTS INFORMATION	
Dealer:	Account #:	RTS:	Phone:
PO:	Ordered By:	Email:	
Email:		SHIP TO INFORMATION	
Mark For:		Name:	Ship Via:
TiLite Sales Rep:		Address:	
TiLite Information:	Promo Code:	Town:	County: Postcode:
Ship Date:	Order #:	Phone:	Fax:

Please email to Permobil at info@permobil.co.uk

FRAME STYLE

- AZFS1 **Aero Z Aluminum Frame** (Full Adjustability. 265 Pound Weight Limit. 150 Pound Weight Limit for Rear Seat Width A and Seat Depth B of 10"x10" to 12"x12". For Rear Seat Width A and Seat Depth B of 15" or greater, use K0005. For Rear Seat Width A and Seat Depth B of less than 15", use E1235.).....**£1,795**
- Z2FS2 **ZRA Titanium Frame** (Full Adjustability. 265 Pound Weight Limit. 150 Pound Weight Limit for Rear Seat Width A and Seat Depth B of 10"x10" to 12"x12". For Rear Seat Width A and Seat Depth B of 15" or greater, use K0005. For Rear Seat Width A and Seat Depth B of less than 15", use E1235.).....**£2,540**
- Z2FS1 **ZR Titanium Frame Ultimate TiFIT** (Minimal Adjustability. 265 Pound Weight Limit. 150 Pound Weight Limit for Rear Seat Width A and Seat Depth B of 10"x10" to 12"x12". For Rear Seat Width A and Seat Depth B of 15" or greater, use K0005. For Rear Seat Width A and Seat Depth B of less than 15", use E1235.).....**£2,795**

TILITE SPECIAL EDITIONS If selecting one of the TiLite Special Edition Upgraded Component Packages, you must still fill out the entire order form. Edition options will override inconsistent selections. Options cannot be added or deleted. A reinforced frame is not compatible with SuperLite Edition.

- ZP1 **SuperLite Edition**
 - ZFTR2 Titanium Open Loop Footrest.....**£182**
 - OR**
 - ZFTR1 Titanium Footrest w/Flat ABS Cover.....**£136**
 - ZSB2 Folding Titanium Back.....**£136**
 - ZSB5 Carbon Fiber TiShaft™ Back Release Bar (Not available with Non-Folding, Fixed Height Titanium Back.)...**£49**
 - ZCBR6 Titanium Camber Tube or TCBR15 Aluminum Camber Tube.....**£136**
 - ZFK2 TiLite Slipstream Single-Sided Fork.....**£136**
 - ZTFS1 Titanium Fork Stem.....**£38**

Retail: £636 - £681
SuperLite Edition Price: £585

- ZP5 **Black Edition** (Black Edition includes: Black Lava Frame Color, Black Anodize Package, LiteSpeed Front Wheels (Must Choose Front Wheel Size, Carbon Fiber TiShaft™ Back Release Bar and TiLite Slipstream Single-Sided Fork.).....**£755**

Exclusive To The Black Edition

- Black on Black Tattoo
- Black Lava Footrest
- Diamond Embossed Ultrasuede Backrest Stripe w/Black TiLite Logo

- ZHDR1 **Heavy Duty Frame** (300 Pound Weight Limit. No charge when 20" Rear Seat Width A and 20" Seat Depth B are selected. Includes Tension Adjustable by Straps Back Upholstery. Requires Folding Aluminum Adjustable Height Backrest, Billet Aluminum Front Wheels, Shadow or Spineray SPOX Rear Wheels. LX Rear Wheels only available with 0 or 2 degree camber. Not available with SuperLite Edition, Slipstream Fork, Velcro Adjustable Upholstery, Swing Away Tubular Armrest or Swing Away Flip Back Tubular Armrest.).....**£304**
- ZRFR1 **Reinforced Frame** (No charge when 20" Rear Seat Width A and 20" B Seat Depth are selected.).....**£238**

TRANSIT OPTION

(Please refer to the ZRA Transit Tie-Down Option Brochure for important information regarding the Transit Tie-Down Option. Not Available with ZR.)

- ZTTD03 Transit Tie-Down (Consists of four Tie-Down Brackets, two Pelvic Belt Mounting Brackets and Reinforced Frame.).....**£241**
(Please refer to the ZR Transport Bracket Supplement for important information regarding the Transit Options. Not Available with ZR.)
- ZWTB Transport Bracket Option (Consists of four Tie-Down Brackets. Unoccupied use only.).....**£241**

FRAME FINISHES

- ZFF1 Satin (Available with Titanium Frame only.).....**STD**
- ZSCBT1 Satin Finish Buffing Pads.....**£10**
- ZFF2 Polished.....**£510**
- ZFF3 Tattooed Titanium™ and Aluminum (Tattoos on front frame tubes. Titanium frame finished in Satin. Aluminum frame is tattooed on blasted aluminum with a clear coat. Tattoos will be trimmed and adjusted to fit your frame.).....**£241**
- ZFF45 Need for Speed
- ZFF44 Flower Garden
- ZFF43 Mosaic

International TiLite Z-Series Order Form



Effective April 1, 2019 (New Items in Red)

MONO-TUBE RIGID FRAME

FRAME FINISHES

- | | | | |
|-----------------------------|--|---|--|
| High Gloss Paint | <input type="checkbox"/> ZFF8 Super Wet Black | <input type="checkbox"/> ZFF10 TiLite Red | <input type="checkbox"/> ZFF29 Neon Pink |
| Metallic Paint | <input type="checkbox"/> ZFF14 Ocean Blue Metallic | <input type="checkbox"/> ZFF15 Tangerine Metallic | <input type="checkbox"/> ZFF30 Acid Green Metallic |
| Pearlescent Paint | <input type="checkbox"/> ZFF17 Midnight Blue Pearl | <input type="checkbox"/> ZFF18 White Pearl | |
| Matte Paint | <input type="checkbox"/> ZFF19 Black Lava | <input type="checkbox"/> ZFF27 Titanium Grey | |
| Candy Paint | <input type="checkbox"/> ZFF22 Ruby Red | <input type="checkbox"/> ZFF23 Azure Blue | <input type="checkbox"/> ZFF25 Electric Plum |
| Matte Textured Paint | <input type="checkbox"/> ZFF40 Hyper Blue | <input type="checkbox"/> ZFF41 Flame Orange | <input type="checkbox"/> ZFF42 OD Green.....STD |

COLOR ANODIZE PACKAGE

(Color Anodize Package includes: Aluminum Camber Tube (Color Anodize not available with Power Adaptable Camber Tube), Camber Mount, Footrest Clamp, Caster Mount, Footrest Clamp, Caster Fork, Caster Cap and Agility Carbon Back clamps. If no anodize color is selected, the default will be black.)

- ZANO1 Black.....STD
 ZANO5 Sapphire ZANO3 Red Pepper ZANO6 Burnt Orange ZANO8 Ultraviolet ZANO9 Fuchsia...£119

TiFit: TAILORED INDIVIDUALIZED FRAME

REAR SEAT WIDTH A Measure from outside of seat tube at back post to the outside of the opposite seat tube at back post.

- ZSW4 10" (25.4cm) 11" (27.9cm) 12" (30.5cm) 13" (33cm) 14" (35.6cm) 15" (38.1cm) 16" (40.6cm) 17" (43.2cm) 18" (45.7cm) 19" (48.3cm).....STD
 ZSW2 20" (HCPCS code only applies to 20" Rear Seat Width A).....£346

FRONT SEAT WIDTH (SEAT TAPER) T Measure from inside of front frame tube to inside of opposite front frame tube. (Required with V-Front End V. Not Available with Standard Front End I.)

- ZFSW1 No Taper (2.5" (6.4cm) Narrower than Rear Seat Width A).....STD
 ZFSW3 1.5" (3.8cm) Taper (4" (10.2cm) Narrower than Rear Seat Width A. Includes Tension Adjustable by Straps Seat Upholstery. Not available with 10" (25.4cm) and 11" (27.9cm) Seat Widths A.).....£196
 ZFSW5 2.5" (6.4cm) Taper (5" (12.7cm) Narrower than Rear Seat Width A. Includes Tension Adjustable by Straps Seat Upholstery. Not available with 10" (25.4cm) to 14" (35.6cm) Seat Widths A.).....£196

SEAT DEPTH B Measure from front of back post to the front edge of seat sling. Frame bend will start .5" in front of seat sling unless Custom Frame Depth is specified, or the combination of specifications affect the rolling dynamics of the chair.

- ZSD1 10" (25.4cm) 11" (27.9cm) 12" (30.5cm) 13" (33cm) 14" (35.6cm) 15" (38.1cm) 16" (40.6cm) 17" (43.2cm) 18" (45.7cm) 19" (48.3cm).....STD
 ZSD2 20" (50.8cm).....£364
 ZSD3 Custom Frame Depth: _____" Frame Depth Longer or Shorter Than Seat Depth D (Measure from front of seat sling to beginning of frame bend. Specifications can be given as specific as 1/4" increments A negative Custom Frame Depth or specified above 3" may be available through our Creative Mobility Division. A Custom Frame Depth of 20" will have an additional charge.).....NCO

ERGONOMIC SEAT U Measure from front of back post to beginning of upward bend of seat tube.

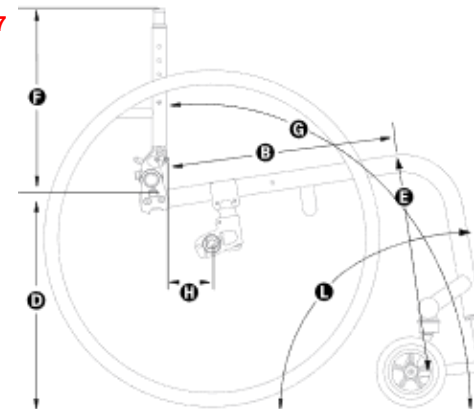
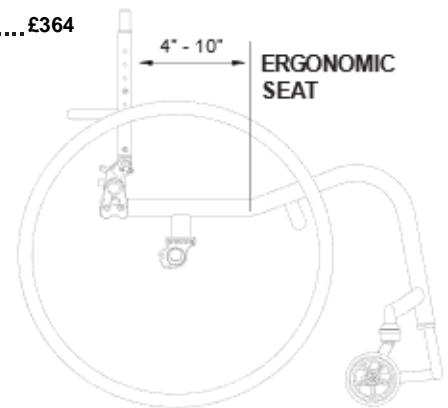
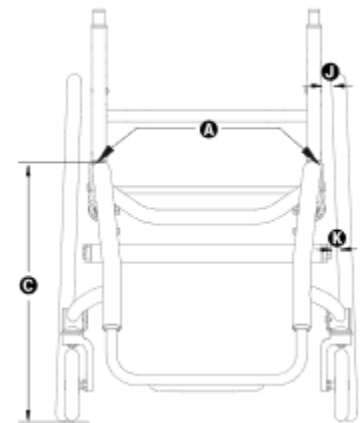
- ZERG1 ZR Ergonomic Seat (Not available with Tension Adjustable Bolt On Seat Upholstery) 5" (12.7cm) 6" (15.2cm) 7" (17.8cm) 8" (20.3cm) 9" (22.9cm).....£287
ZERG2 Aero Z and ZRA Ergonomic Seat (Center of Gravity adjustment may be affected by this option. Not available with V-Front or Seat Taper, Seat Back that Locks When Folded, Desk Arms, Depth Adjustable Backrests, Fold Down Rigid Sideguards, Fenstered Adjustable Sideguards, Solid Seat, Tension Adjustable Bolt On Seat Upholstery, or the Curve cushion.) 6" (15.2cm) (Minimum Seat Depth B 12") 7" (17.8cm) (Minimum Seat Depth B 12") 8" (20.3cm) (Minimum Seat Depth B 13").....£287

FRONT SEAT HEIGHT C Measure from floor to top of seat tube at front edge of seat sling. ZRA adjusts up and down in .5" increments.

- ZFSH1 16" (40.6cm) 16.5" (41.9cm) 17" (43.2cm) 17.5" (44.5cm) 18" (45.7cm) 18.5" (47cm) 19" (48.3cm) 19.5" (49.5cm) 20" (50.8cm) 20.5" (52.1cm) 21" (53.3cm).....STD

REAR SEAT HEIGHT D Measure from floor to top of seat tube at back post. ZRA adjusts up and down in 1/2" increments.

Rear Wheel Size	Rear Seat Height
20"	12.5" - 18.5" (31.8 - 47cm)
22"	14.0" - 19" (35.6 - 48.3cm)
24"	14.5" - 20" (36.8 - 50.8cm)
25"	14.5" - 20" (36.8 - 50.8cm)



International TiLite Z-Series Order Form



Effective April 1, 2019 (New Items in Red)

MONO-TUBE RIGID FRAME

26" | 15.5" - 20" (39.4 - 50.8cm)

TiFit: TAILORED INDIVIDUALIZED FRAME

REAR SEAT HEIGHT

- ZRSH1 12.5" (31.8cm) 13" (33cm) 13.5" (34.3cm) 14" (35.6cm) 14.5" (36.8cm) 15" (38.1cm)
 15.5" (39.4cm) 16" (40.6cm) 16.5" (41.9cm) 17" (43.2cm) 17.5" (44.5cm) 18" (45.7cm)
 18.5" (47cm) 19" (48.3cm) 19.5" (49.5cm) 20" (50.8cm).....**STD**

FRONT ANGLE L Measure from frame front to floor.

- ZFA1 70° 75° 80° 85° (Not available with 6" Front Wheels.) 90° (Not available with 5" or 6" Front Wheels.).....**STD**

SEAT TO FOOTREST E/FOOTRESTS Measure from front edge of seat sling to top rear of footrest.

Standard Footrests Measurement must be at least 2" shorter than Front Seat Height C.

- 13.5" (34.3cm) 14" (35.6cm) 14.5" (36.8cm) 15" (38.1cm) 15.5" (39.4cm) 16" (40.6cm)
 16.5" (41.9cm) 17" (43.2cm) 17.5" (44.5cm) 18" (45.7cm) 18.5" (47cm) 19" (48.3cm)

- ZFTR3 Angle Adjustable Footrest.....**STD**
 ZFTR1 Titanium Footrest w/Flat ABS Cover.....**£136**
 ZFTR2 Titanium Open Loop Footrest.....**£182**
 ZFTR12 Flip-Back Footrest (Not available with 10" or 11" Rear Seat Width A, Heavy Duty Frame, ABS Cover with 2" Sides or Front Roller.).....**£151**

High Mount Footrest

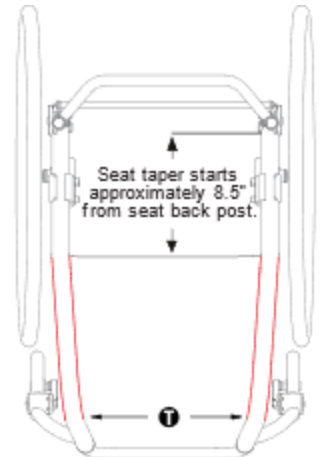
- 7"-9" 9"-11" 11"-13" Set at _____ (Use 1/2" increments)

- ZFTR4 Angle Adjustable High Mount Footrest.....**£70**

FOOTREST WIDTH I or V Select either a Standard Front End I if no Seat Taper T is selected or a V-Front End V if a Seat Taper T is selected.

STANDARD FRONT END I Find your Rear Seat Width A in the Chart below and select one of the options to the right. Measure from inside of front frame tube to inside of opposite front frame tube. (Not available with Front Seat Width (Seat Taper) T.)

- ZFE1 **NO V-Front Taper** (Required when both Heavy Duty Frame and Seat Taper T are selected.).....**STD**

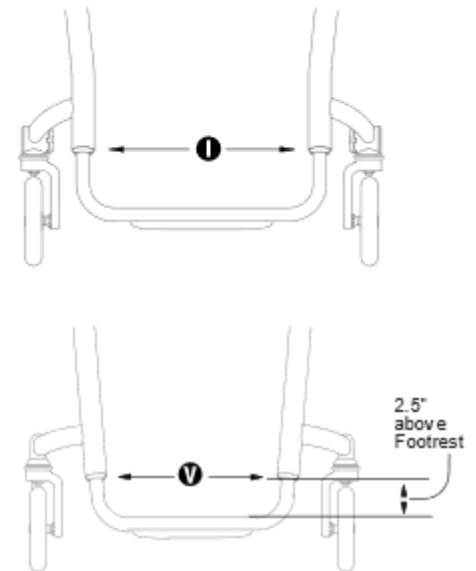


REAR SEAT WIDTH A (Outside Measurement)	FOOTREST WIDTH I		
	No Taper (2.5" Narrower than Rear Seat Width)	1.5" Taper (4" Narrower than Rear Seat Width)	3.5" Taper (6" Narrower than Rear Seat Width)
10"	<input type="checkbox"/> 7.5"		
11"	<input type="checkbox"/> 8.5"		
12"	<input type="checkbox"/> 9.5"	<input type="checkbox"/> 8"	
13"	<input type="checkbox"/> 10.5"	<input type="checkbox"/> 9"	
14"	<input type="checkbox"/> 11.5"	<input type="checkbox"/> 10"	
15"	<input type="checkbox"/> 12.5"	<input type="checkbox"/> 11"	<input type="checkbox"/> 9"
16"	<input type="checkbox"/> 13.5"	<input type="checkbox"/> 12"	<input type="checkbox"/> 10"
17"	<input type="checkbox"/> 14.5"	<input type="checkbox"/> 13"	<input type="checkbox"/> 11"
18"	<input type="checkbox"/> 15.5"	<input type="checkbox"/> 14"	<input type="checkbox"/> 12"
19"	<input type="checkbox"/> 16.5"	<input type="checkbox"/> 15"	<input type="checkbox"/> 13"
20"	<input type="checkbox"/> 17.5"	<input type="checkbox"/> 16"	<input type="checkbox"/> 14"

OR

V-FRONT END V Measure from inside of front frame tube to inside of opposite front frame tube 2-1/2" above footrest. (Required with Front Seat Taper T. Titanium Footrests have 1" of adjustment up and down. Not available with Ergonomic Seat frames.)

- ZFE2 V-Front Taper.....**£80**
- 9" (22.9cm) 10" (25.54cm) 11" (27.9cm)
 12" (30.5cm) 13" (33cm) 14" (35.6cm)
 15" (38.1cm)



International TiLite Z-Series Order Form

Effective April 1, 2019 (New Items in Red)

MONO-TUBE RIGID FRAME

TiFit: TAILORED INDIVIDUALIZED FRAME

SEAT BACK TYPE/PUSH HANDLES/SEAT BACK HEIGHT F Measure from top of back post to top of seat tube at rear of frame.

- ZSB1 Folding Aluminum Adjustable Height w/Precision Lock Back (Required for Heavy Duty Frame.).....**STD**
- ZSB2 Folding Titanium Adjustable Height w/Precision Lock Back and Rounded Rigidizer Bar (Titanium back will match Frame Finish. Not available with Bolt-On Push Handles.).....**£136**
- ZSB15 Non-Folding, Fixed Height Titanium with New Rounded Rigidizer Bar (Not Available with ZR or Transport Brackets. Titanium back will match Frame Finish. Not available with Push Handles.).....**£196**

TISHAFT™ BACK RELEASE BARS (Not available with Non-Folding, Fixed Height Titanium Back.)

- ZSB3 Aluminum.....**STD**
- ZSB5 Carbon Fiber.....**£49**

PUSH HANDLES

- ZSB6 Integrated Push Handles.....**NCO**
- ZSB7 Integrated Fold-Down Push Handles (Requires Tension Adjustable by Straps Back Upholstery.).....**£80**
- ZSB8 Bolt-On Push Handles (Includes 4" Deep Backrest Rigidizer Bar. Not available with Ti Back.).....**£136**
- ZSB9 Bolt-On Height-Adjustable Push Handles (Includes 4" Deep Backrest Rigidizer Bar. Not available with Ti Back.).....**£234**

FOLDING SEAT BACK HEIGHT F (ZSB1 and ZSB2)

Push Handles (Selected Above)	Short	Medium	Tall	Set at: (Use ½" increments)
None/ Bolt-On	<input type="checkbox"/> 9.5"-12.5" (24.1-31.7cm)	<input type="checkbox"/> 13"-17.5" (33.0-44.4cm)	<input type="checkbox"/> 17"-21.5" (33.0-44.4cm)	Set at: _____
Integrated	<input type="checkbox"/> 11.5"-13.5" (29.2-34.2cm)	<input type="checkbox"/> 14.5"-17.5" (36.8-44.4cm)	<input type="checkbox"/> 18.5"-21.5" (46.9-54.6cm)	Set at: _____
Integrated Fold-Down	<input type="checkbox"/> 14"-16" (35.5-40.6cm)	<input type="checkbox"/> 15.5"-19.5" (39.3-49.5cm)	<input type="checkbox"/> 19.5"-22" (49.5-55.8cm)	Set at: _____

NON-FOLDING, FIXED-HEIGHT F TITANIUM SEAT BACK with New Rounded Rigidizer Bar (ZSB15) (Titanium back will match Frame Finish. Required for fixed Side Guards. Not available with ZRA, Swing Away Tubular or Swing Away - Flip Back Tubular Armrests and Integrated Push Handles, Integrated Fold-Down Push Handles or Bolt-On Height Adjustable Push Handles.)

- 8" (20.3cm) 8.5" (21.6cm) 9" (22.9cm) 9.5" (24.1cm) 10" (25.4cm) 10.5" (26.7cm) 11" (27.9cm)
- 11.5" (29.2cm) 12" (30.5cm) 12.5" (31.8cm) 13" (33cm) 13.5" (34.3cm) 14" (35.6) 14.5" (36.8cm)
- 15" (38.1cm) 15.5" (39.4cm) 16" (40.6cm) 16.5" (41.9cm) 17" (43.2cm) 17.5" (44.5cm) 18" (45.7cm)
- 18.5" (47cm) 19" (48.3cm) 19.5" (49.5cm) 20" (50.8cm)

AVAILABLE ON ALL BACKS

- ZSB11 Backrest that Locks when Folded (Not available with Ergonomic Seat.).....**STD**
- ZSB12 4" (10 cm) Deep Backrest Rigidizer Bar (Required with Heavy Duty Frame. (Not available with a Non-Folding, Fixed Height Titanium Seat Back Type. 4" Deep Rigidizer Bar is NOT a rounded style rigidizer bar.).....**NCO**
- ZSB16 Depth Adjustable Back/Frame (Seat Depths B of 10"-18" allow 2" of rearward adjustment. Height Adjustable Push Handles have a limited height range with Depth Adjustable Back. Not Available with 19" or 20" Seat Depths B, Heavy Duty Frame, Tension Adjustable By Straps Seat Upholstery or Carbon Fiber Side Guards.).....**£143**

SEAT BACK ANGLE G Measure angle from front of back post to floor.

- ZSBA1 **Folding Back**
 80° 83° 86° 89° 92° 95° 98° 101°.....**STD**
- ZSBA1 **Non-Folding Back**
 80° 81° 82° 83° 84° 85° 86° 87° 88° 89° 90° 91° 92° 93° 94° 95°
 96° 97° 98° 99° 100° 101°.....**NCO**

CENTER OF GRAVITY H Measure from front of back post at the seat tube to the center of the rear axle. If no center of gravity is selected, chair will ship with the center of gravity in the rearward-most position.

- ZCOG1 0" .25" (.6cm) .5" (1.3cm) .75" (1.9cm) 1" (2.5cm) 1.25" (3.2cm) 1.5" (3.8cm) 1.75" (4.4cm)
 2" (5.1cm) 2.25" (5.7cm) 2.5" (6.4cm) 2.75" (7cm) 3" (7.6cm) 3.25" (8.3cm) 3.5" (8.9cm)
 3.75" (9.5cm) 4" (10.2cm) 4.25" (10.8cm) 4.5" (11.4cm) 4.75" (12.1cm) 5" (12.7cm).....**STD**

REAR WHEEL SPACING J/PLUGS Measure from outside of seat back post to inside of rear tire. 0.5" Rear Wheel Spacing on ZR not available with 0° or 2° Camber. ZRA 0.75" Rear Wheel Spacing not available with 0° or 2° Camber K. Ergonomic Seat selection may limit available center of gravity.

- ZRWS1 .75" (1.9cm) 1" (2.5cm) 1.25" (3.2cm)**STD**
- ZCBR12 Adjustable Rear Wheel Spacing Camber Plugs (Not available with Power Adaptable Frame.).....**STD**
- ZCBR9 Additional Spacers to Increase Rear Wheel Spacing.....**NCO**
- ZCBR11 Zero Play Aluminum Camber Plugs (Not available with Power Adaptable Frame or more than 6° of Camber K.).....**NCO**

CAMBER K/CAMBER TUBES

- ZCBR1 0° 2° 4° 6° (More than 0° of Camber K is not available with the Power Adaptable Frame. 8° of Camber K may be available through our Creative Mobility Division.).....**STD**
- ZCBR15 Aluminum Camber Tube.....**STD**
- ZCBR3 Titanium Camber Tube (Not available with Power Adaptable Frame.).....**£136**

International TiLite Z-Series Order Form



Effective April 1, 2019 (New Items in Red)

MONO-TUBE RIGID FRAME

CUSTOM CONFIGURATION OPTIONS

FRONT WHEELS

ZFW24	<input type="checkbox"/> 3"x1.5" LiteSpeed Billet Aluminum Wheel w/Soft Roll Tire <input type="checkbox"/> Silver Hub OR <input type="checkbox"/> Black Hub.....	£122
ZFW14	<input type="checkbox"/> 4"x.75" Plastic Wheel w/Poly Tire (Not available with Slipstream Fork, Glide™ Single-Sided Fork or Power Adaptable Frame.).....	NCO
ZFW3	<input type="checkbox"/> 4"x.75" Light-Up Micro-Caster (Not available with Slipstream Fork, Glide™ Single-Sided Fork or Power Adaptable Frame.).....	£56
ZFW25	<input type="checkbox"/> 4"x.75" LiteSpeed Billet Aluminum Wheel w/Poly Tire <input type="checkbox"/> Silver Hub OR <input type="checkbox"/> Black Hub.....	£101
ZFW26	<input type="checkbox"/> 4"x1.5" LiteSpeed Plastic Wheel w/Soft Roll Tire (Not available with Power Assist, Power Add-on System or Heavy Duty Frame.).....	£66
ZFW27	<input type="checkbox"/> 4"x1.5" LiteSpeed Billet Aluminum Wheel w/Soft Roll Tire <input type="checkbox"/> Silver Hub OR <input type="checkbox"/> Black Hub.....	£129
ZFW6	<input type="checkbox"/> 5"x1" Plastic Wheel w/Poly Tire (Not available with 90° Front Angle L, Slipstream Fork, Glide™ Single-Sided Fork or Power Adaptable Frame.).....	NCO
ZFW28	<input type="checkbox"/> 5"x1.5" LiteSpeed Plastic Wheel w/Soft Roll Tire (Not available with 90° Front Angle L or Power Adaptable Frame.).....	£66
ZFW30	<input type="checkbox"/> 5"x1.5" LiteSpeed Billet Aluminum Wheel w/Soft Roll Tire <input type="checkbox"/> Silver Hub OR <input type="checkbox"/> Black Hub (Not available with 90° Front Angle L.).....	£143
ZFW9	<input type="checkbox"/> 6"x1" Plastic Wheel w/Poly Tire (Not available with 85° or 90° Front Angle L, Slipstream Fork, Glide™ Single-Sided Fork or Power Adaptable Frame.).....	NCO
ZFW32	<input type="checkbox"/> 6"x1.5" LiteSpeed Plastic Wheel w/Soft Roll Tire (Not available with 85° or 90° Front Angle L, Slipstream Fork, Glide™ Single-Sided Fork or Power Adaptable Frame.).....	£70
ZFW33	<input type="checkbox"/> 6"x1.5" LiteSpeed Billet Aluminum Wheel w/Soft Roll Tire <input type="checkbox"/> Silver Hub OR <input type="checkbox"/> Black Hub (Not available with 85° or 90° Front Angle L, Slipstream Fork, Glide™ Single-Sided Fork.).....	£150

PRECISION LOCK FRONT FORKS

ZFK1	<input type="checkbox"/> TiLite Standard Fork.....	STD
ZFK2	<input type="checkbox"/> TiLite Slipstream Single-Sided Fork (Not available with Heavy Duty Frame or Power Adaptable Frame.).....	£136
ZGL1	<input type="checkbox"/> Out-Front Glide™ Suspension Fork (Black anodize only. Not available with Heavy Duty Frame.).....	£336
	Rider's Weight: <input type="checkbox"/> 125 lbs. (56.69kg) <input type="checkbox"/> 125-180 lbs. (56.69- 81.64kg) <input type="checkbox"/> 180-265 lbs. (81.64- 120.2kg)	
ZGL2	<input type="checkbox"/> Out-Front Glide™ Single-Sided Suspension Fork (Black anodize only. Not available with 6" Front Wheels or Heavy Duty Frame.).....	£434
	Rider's Weight: <input type="checkbox"/> 125 lbs. (56.69kg) <input type="checkbox"/> 125-180 lbs. (56.69- 81.64kg) <input type="checkbox"/> 180-265 lbs. (81.64- 120.2kg)	
ZTFS1	<input type="checkbox"/> Titanium Fork Stem.....	£38

STANDARD REAR WHEELS (See Rear Seat Height Ranges Chart for Rear Seat Height D limitations.)

ZRW14	TiLite SHADOW™.....	STD
	<input type="checkbox"/> 20"(451)	
	<input type="checkbox"/> 22"(501)	
	<input type="checkbox"/> 24"(540)	
	<input type="checkbox"/> 25"(559) (Requires 15" minimum Seat Depth B.)	
	<input type="checkbox"/> 26"(590) (Requires 15" minimum Seat Depth B.)	

PERFORMANCE REAR WHEELS (See Rear Seat Height Ranges Chart for Rear Seat Height D limitations.)

ZRW7	Spinergy SPOX <input type="checkbox"/> Black <input type="checkbox"/> Red <input type="checkbox"/> Yellow <input type="checkbox"/> Blue <input type="checkbox"/> White.....	£405
	<input type="checkbox"/> 22"(501) - Std. Hub	
	<input type="checkbox"/> 24"(540) - Std. Hub	
	<input type="checkbox"/> 25"(559) - Std. Hub (Requires 15" minimum Seat Depth B.)	
	<input type="checkbox"/> 26"(590) - Sport Hub (Requires 15" minimum Seat Depth B. Not available with Quad Release Axles.)	
ZRW8	Spinergy LX <input type="checkbox"/> Black <input type="checkbox"/> Red <input type="checkbox"/> Yellow <input type="checkbox"/> Blue <input type="checkbox"/> White <input type="checkbox"/> Go Green <input type="checkbox"/> Bright Orange <input type="checkbox"/> Flamingo Pink.....	£590
	<input type="checkbox"/> 22"(501) - Std. Hub	
	<input type="checkbox"/> 24"(540) - Std. Hub	
	<input type="checkbox"/> 25"(559) - Std. Hub (Requires 15" minimum Seat Depth B.)	
	<input type="checkbox"/> 26"(590) - Sport Hub (Requires 15" minimum Seat Depth B. Not available with Quad Release Axles.)	
ZRW16	Spinergy Carbon Blade (Not available with Heavy Duty Frame, Natural-Fit or Natural-Fit LT with Standard Grip or Super Grip.).....	£895
	<input type="checkbox"/> 24"(540)	
	<input type="checkbox"/> 25"(559) (Requires 15" minimum Seat Depth B.)	
ZRW17	X-Core Mag (Not available with Heavy Duty Frame, Short Tabs, Quad Release Axles, Spoke Guards or Omit Handrims Option. Requires Aluminum Sliver Anodized Handrims.).....	£77
	<input type="checkbox"/> 20"(451)	
	<input type="checkbox"/> 22"(501)	
	<input type="checkbox"/> 24"(540)	

AXLES

ZAXL1	<input type="checkbox"/> Stainless Quick Release.....	STD
ZAXL2	<input type="checkbox"/> Titanium Quick Release.....	£182
ZAXL3	<input type="checkbox"/> Quad Release (Not available with Mag or 26"(590) Spinergy Spox or LX Rear Wheels.).....	£108

CUSTOM CONFIGURATION OPTIONS

PNEUMATIC REAR TIRES

ZRTR1	<input type="checkbox"/> Treaded (Not available with 25"(559) or 20" (451) Rear Wheels.)	STD
ZRTR2	<input type="checkbox"/> Airless Inserts (Not available with Spinergy Carbon Blade Rear Wheels.)	£66
ZRTR3	<input type="checkbox"/> 25"(559) Primo Treaded (Standard with 25"(559) Rear Wheels.)	STD
ZRTR4	<input type="checkbox"/> Primo Slick	NCO
ZRTR30	<input type="checkbox"/> 24"(540), 25"(559) and 26"(590) Primo Sentinel	£91
ZRTR8	<input type="checkbox"/> 24"(540), 25"(559) and 26"(590) Schwalbe® Marathon Plus Evolution	£73
ZRTR9	<input type="checkbox"/> 24"(540) and 25"(559) Schwalbe® Slick	£73
ZRTR24	<input type="checkbox"/> 24"(540) Kenda Kobra Knobby	£63

SOLID REAR TIRES (Not available with Spinergy Carbon Blade Rear Wheels.)

ZRTR22	<input type="checkbox"/> 20"(451), 22"(501), 24"(540) and 25"(559) Primo Express	£77
ZRTR23	<input type="checkbox"/> 24"(540) and 25"(559) Primo Active	£94

HANDRIMS

Handrims by OUT-FRONT®

ZRIM1	<input type="checkbox"/> Aluminum – Silver Anodized	STD
ZRIM21	<input type="checkbox"/> Aluminum – Black Anodized (Not available with 20"(451) Rear Wheels.)	£38
ZRIM12	<input type="checkbox"/> Titanium – Satin Finish (Not available with 20"(451) or 22"(501) Rear Wheels, or 24"(540) Knobby tires.)	£318

The Natural-Fit® (Original, Larger Profile) (Not available with 20"(451) Rear Wheels.)

ZRIM14	<input type="checkbox"/> Standard Grip (Not available with Short Tabs or Spinergy Carbon Blade Rear Wheels.)	£248
ZRIM15	<input type="checkbox"/> Super Grip (Not available with Short Tabs or Spinergy Carbon Blade Rear Wheels.)	£280
ZRIM16	<input type="checkbox"/> Without Thumb Grip	£231

The Natural-Fit® LT (Reduced Weight, Smaller Profile) (Not available with 20"(451) Rear Wheels.)

TRIM17	<input type="checkbox"/> Standard Grip (Not available with Short Tabs or Spinergy Carbon Blade Rear Wheels.)	£269
TRIM18	<input type="checkbox"/> Super Grip (Not available with Short Tabs or Spinergy Carbon Blade Rear Wheels.)	£308
TRIM19	<input type="checkbox"/> Without Thumb Grip	£252

ZRIM10	<input type="checkbox"/> The Surge (All-In-One Oval with Gription™ Strip, Larger Profile) (Not available with 20"(451) Rear Wheels.)	£255
--------	--	------

ZRIM11	<input type="checkbox"/> The Surge LT (All-In-One Oval with Gription™ Strip, Smaller Profile) (Not available with 20"(451) Rear Wheels.)	£276
--------	--	------

ZRIM20	<input type="checkbox"/> Q-Grip (Exclusive High-Friction, Anti-Slip Coating) (Not available with 20"(451) Rear Wheels.)	£234
--------	---	------

Additional Handrim Options

ZRIM5	<input type="checkbox"/> Plastic Coated – Black	£91
ZRIM22	<input type="checkbox"/> Omit Handrims	NCO

Tab Length

ZRIM7	<input type="checkbox"/> Long Tabs	STD
ZRIM8	<input type="checkbox"/> Short Tabs (Not available with Mag Rear Wheels or The Natural-Fit® Handrims with Thumb Grip.)	£14

WHEEL LOCKS

Wheel Locks by OUT-FRONT®

ZWLK7	<input type="checkbox"/> Compact Composite Push to Lock (Available with .75" to 1.5" Rear Wheel Spacing) only.)	NCO
ZWLK8	<input type="checkbox"/> Compact Composite Pull to Lock (Available with .75" to 1.5" Rear Wheel Spacing) only.)	NCO
Z2WLK10	<input type="checkbox"/> Extension Handles for Compact Composite Push/Pull to Lock	£63
ZWLK9	<input type="checkbox"/> Composite Scissor Lock	£101

Additional Wheel Locks

ZWLK3	Uni-Lock Set At: <input type="checkbox"/> Push OR <input type="checkbox"/> Pull	£115
-------	--	------

ZWLK4	<input type="checkbox"/> Extension Handles for Uni-Lock	£63
-------	---	-----

ZWLK15	<input type="checkbox"/> Grade Aids Push to Lock (Not available with solid rear tires)	£126
--------	--	------

BACK UPHOLSTERY (Want more seating options? [Click here](#) to view the new TiLite Seating Order Form.)

ZBUP2	<input type="checkbox"/> Velcro Adjustable (Not available with Fold-Down Push Handles.)	STD
-------	---	-----

Tension Adjustable by Straps (Required with Fold-Down Push Handles.)

ZBUP3	<input type="checkbox"/> Padded Nylon	£77
-------	---------------------------------------	-----

ZBUP5	<input type="checkbox"/> AIR Breathable Upholstery (Not available with Ultrasuede Backrest Stripe.)	£136
-------	---	------

ZUPC3	Ultrasuede Backrest Stripe <input type="checkbox"/> Black	£73
-------	---	-----

ZBUP0	<input type="checkbox"/> Omit Back Upholstery	NCO
-------	---	-----

SEAT UPHOLSTERY

ZSUP1	<input type="checkbox"/> Tension Adjustable Bolt On (Not available with Ergonomic Seat or Tapered Seat T. Black only.)	STD
-------	--	-----

ZSUP2	<input type="checkbox"/> Tension Adjustable by Straps (Standard with Ergonomic Seat and Front Seat Width (Seat Taper) T of 1", 2" or 3". Black upholstery only.)	£119
-------	--	------

ZSUP8	<input type="checkbox"/> Aluminum Solid Seat (Not available with 10" or 11" Rear Seat Width A or Ergonomic Seat U.)	£196
-------	---	------

ZSUP0	<input type="checkbox"/> Omit Seat	NCO
-------	------------------------------------	-----

CUSTOM CONFIGURATION OPTIONS

SEAT CUSHION (Cushions & Backrest are not available on EZ-Ti for UK customers these will be ordered separately to the chair)

- Comfort Curve Cushion..... £60
- ROHO Airlite Cushion..... £225
- ROHO Quadtro Select Low Profile..... £482
- ROHO Agility Min Contour Backrest...(other backrest options available on request)..... £515

SIDE GUARDS

- Z2SDG1 Cloth (Not available with Ride Designs Corbac Back Support.)..... £70
- Aluminum**
- ZSDG2 Rigid Removable Small **OR** Std..... £136
- ZSDG3 Quad Removable w/Hole Small **OR** Std..... £143
- ZSDG4 Fold Down Rigid Small **OR** Std (Not available with Ergonomic Seat.)..... £234
- ZSDG6 Fendered Adjustable (Available with 24" and 25" Rear Wheels. Requires Rear Seat Height D of 14.5" to 18.5")..... £234
- Carbon Fiber**
- ZSDG7 Rigid Removable Small **OR** Std..... £213
- ZSDG8 Quad Removable w/Hole Small **OR** Std..... £220
- ZSDG9 Fold Down Rigid Small **OR** Std (Not available with Ergonomic Seat.)..... £318
- ZSDG11 Fendered Adjustable (Available with 24" and 25" Rear Wheels. Requires Rear Seat Height D of 14.5" to 18.5")..... £315
- ZSDG12 Fendered Removable..... £315

Available on Aluminum and Carbon Fiber Non-Fendered Side Guards

- ZSDG13 Side Guards Custom Cut to Profile of Rear Wheels (Not available with Cloth.)..... £217

ARMRESTS (Desk Arms come with built-in Side Guards.)

- ZARM1 Swing Away Tubular 6.5" to 9.5" **OR** 9.5" to 12.5" (Not Available with Heavy Duty Frame or Height Adjustable Push Handles.)..... £150
- ZARM4 Swing Away Height Adjustable 8.5" to 11.5" - Flip Back Tubular (Not Available with Heavy Duty Frame.)..... £217
- ZARM2 Removable Height Adjustable Desk Arm with Rigid Side Guard (Requires 14" minimum Seat Depth B. Not available with Ergonomic Seat.)..... £234
- 9" to 12" (22.9 to 30.5cm) **OR** 12" to 15" (30.5-38.1cm)
- Standard Length Pad (10" (25.5cm)) **OR** Full Length Pad (14"(35.5cm))
- ZARM3 Removable Height Adjustable Desk Arm with Rigid Side Guard and Transfer Loop (Requires 15" minimum Seat Depth B. Not Available with Ergonomic Seat.)..... £255
- 9" to 12" (22.9 to 30.5cm) **OR** 12" to 15" (30.5-38.1cm)
- Standard Length Pad (10" (25.5cm)) **OR** Full Length Pad (14"(35.5cm))

Available Armrest Option

- ZARM5 Covered in Black Ultrasuede (Not available with Desk Arms)..... £77

SEAT BELTS

- ZBLT1 Velcro Adjustable, Black Nylon Webbing..... £31
- ZBLT2 Bodypoint® 2" Push-Button Buckle (Auto-Style.)..... £70
- ZBLT4 Bodypoint® 1" Wide Push-Button Buckle Padded (Auto-Style.) (Not available with 19" or 20" Rear Seat Widths A.)..... £129
- ZBLT5 Bodypoint® 1.5" Wide Push-Button Buckle Padded (Auto-Style.) (Not available with 19" or 20" Rear Seat Widths A.)..... £122
- ZBLT8 Q'Strain® WC-19 Wheelchair-Anchored Pelvic Belt (Recommended for use with Transit Tie Down. Not Available with ZR.)..... £136
- ZBLT10 Bodypoint® Optional Band Clamp Mounting Hardware..... £14
- ZBLT15 Bodypoint® EvoFlex® Pelvic Stabilizer Swivel..... £133
- ZBLT16 Bodypoint® EvoFlex® Pelvic Stabilizer Push Button..... £133
- ZBLT17 Bodypoint® EvoFlex® Pelvic Stabilizer Rehab Latch..... £133

CALF STRAP

- ZCLF2 Velcro Adjustable..... £24
- Xtra Small (Recommended for 6" - 9" Footrest Widths.)
- Small (Recommended for 9" - 12" Footrest Widths.)
- Medium (Recommended for 11" - 15" Footrest Widths.)
- Large (Recommended for 14" - 17" Footrest Widths.)
- Xtra Large (Recommended for 16"- 19" Footrest Widths.)
- ZCLF3 Bodypoint® Padded Velcro Adjustable..... £73
- Small (Recommended for 8"- 11" Footrest Widths.)
- Medium (Recommended for 11"- 15" Footrest Widths.)
- Large (Recommended for 16"- 19" Footrest Widths.)
- ZCLF1 Buckle Adjustable, Black Nylon Webbing..... £17

International TiLite Z-Series Order Form



Effective April 1, 2019 (New Items in Red)

MONO-TUBE RIGID FRAME

CUSTOM CONFIGURATION OPTIONS

BACKPACK

ZBCK3 Black Permobil Backpack.....£66

SEAT POUCH

ZPCH3 Black Permobil Seat Pouch.....£38

ZPCH4 Bodypoint® Mobility Bag.....£73

SPOKE GUARDS

ZGRD1 Clear Lexan with TiMotion Logo (Not available with Mag Rear Wheels.).....£91

ANTI-TIPS

ZTIP1 Rear Aluminum - Black.....£112

ZTIP7 Black Aluminum Single.....£56

Mount on Left Side or Right Side.....NCO

ZTIP2 User Friendly Flip-up Pair.....£234

ZTIP8 User Friendly Flip-up Single.....£115

Mount on Left Side or Right Side.....NCO

ACCESSORIES

ZUEST1 Upper Extremity Support Tray 12" to 14" OR 13" to 15" Seat Widths A (Requires Armrests.).....£199

ZLUG1 Luggage Carriers.....£101

ZMPCT2 Neoprene Impact Guards with Ultrasuede Stripe Black.....£73

ZCH1 Crutch Holder.....£101

GENERAL

Permobil manufactures TiLite manual wheelchairs in a wide variety of configurations to meet the varied needs of wheelchair users. The final selection of a particular model, its options and accessories, and its measurements rests solely with the wheelchair user and advising healthcare professional. These wheelchairs must be fitted by a qualified healthcare professional. HCPCS Codes are for reference purposes only. Actual coding and coverage varies by payer. Proper HCPCS coding is not a guarantee of payment. Please verify the appropriate payer's coverage policy.

Get the latest order forms at permobilus.com. Prices, standard features, options and accessories are subject to change without notice. All rights reserved. Trademarks are identified by symbols™ and ©. TiLite, TiFit, the TiLite logo, Ti, the Ti logo, The Titanium Experts, and TiShaft are registered trademarks of TiSport, LLC and are licensed to Permobil. Permobil® is a registered trademark of Permobil. Adobe®, Acrobat®, Acrobat Professional® and Reader® are registered trademarks of Adobe Systems Inc. Bodypoint® is a registered trademark of Bodypoint Inc. Kenda® is a registered trademark of Kenda Rubber Industrial Co. Ltd. Ride Designs® and Corbac® are registered trademarks of Aspen Seating, LLC. ROHO®, Low Profile® and Quadro Select® are registered trademarks of ROHO Inc. Schwalbe® is a registered trademark of Ralf Bohle GmbH. Supracor®, Stimulite® and Corbee® are registered trademarks of Supracor, Inc. The Natural-Fit® and Out-Front® are registered trademarks of Three Rivers Holdings, LLC. Varilite® is a registered trademark of Cascade Designs, Inc.

NOTES

QUOTE THIS CHAIR

If you are using Adobe Acrobat, this order form may be converted into a quote request or into an order by clicking one of the buttons (this feature is available exclusively to Permobil dealers and distributors). A Quote or an Order Confirmation will be sent to you within 24 hours.

ORDER THIS CHAIR