

NOVIKBLOCK™ - INTAKE EXHAUST VENT A-400 INSTALLATION GUIDE

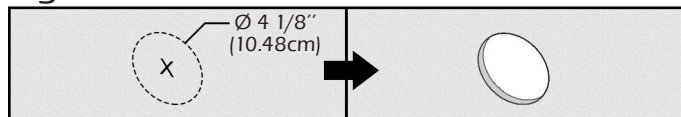
FRANÇAIS
AU VERSO

INSTALLATION STEPS

CAUTION: VERIFY WITH LOCAL AUTHORITIES AND THE CURRENT BUILDING CODE IN ORDER TO IDENTIFY THE REQUIREMENTS FOR THE INTAKE/EXHAUST VENT BEFORE BEGINNING THE INSTALLATION.

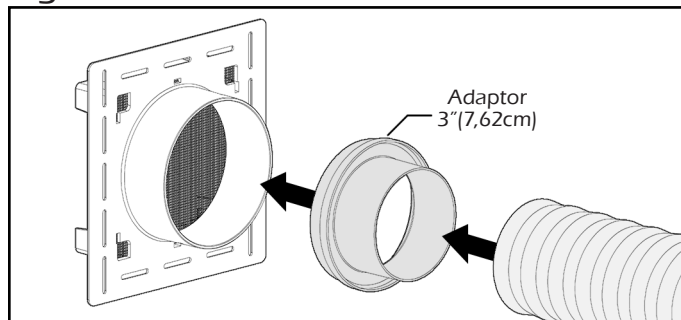
1-First, locate the desired position of the vent on wall and when it's necessary, cut the required opening. Use the circular portion of the base to trace the outline of the opening and create the hole. A 4 1/8" (10.48cm) Ø holesaw could also be used to create a opening (Figure A).

Figure A



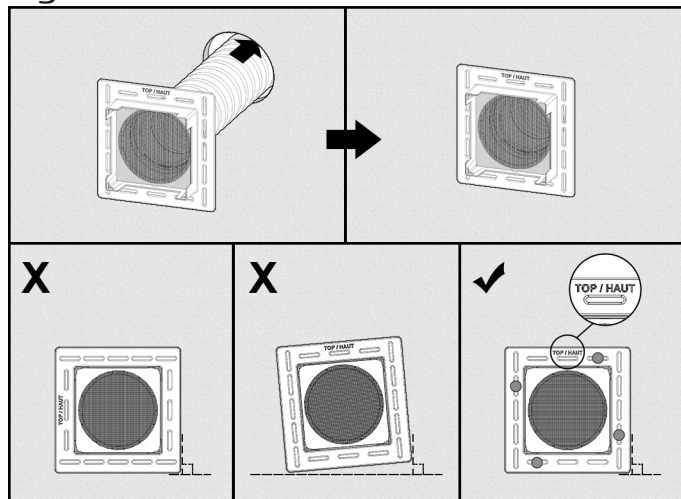
2-Remove the front cover of the block and join and seal the ventilation system pipe to the rear of the base part. A 3" (7.62cm) adaptor is available if necessary (Figure B).

Figure B



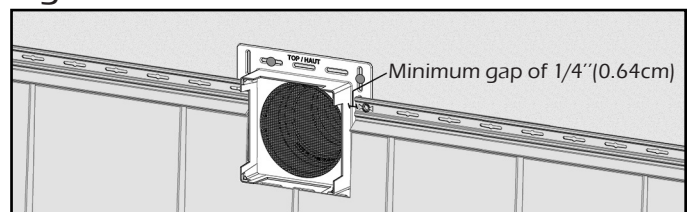
3-Push piping and the circular portion of the base into the opening. To ensure a maximum watertight installation, apply sealant between the wall and the base as needed. Make sure that the base is properly seated on wall, level and square, and the inscription "Top/Haut" is in the upward position. Then, attach the base on wall with a minimum of 4 fasteners (Figure C). Always use non-corrosive nails or screws that have a head of 0.4" (1cm) in diameter and a body of 0.150" (0.38cm) in diameter and penetrate a minimum of 1 1/4" (3.18cm) into a solid surface.

Figure C



4-Install the siding as per manufacturer's instructions. Make sure to leave a 1/4" (0.64cm) gap between the siding and the base for the siding expansion/contraction movement (Figure D).

Figure D



5-Attach front cover onto the base, ensuring the "Top/Haut" inscription on the two components line up. Pressure fit the front part to the desired depth setting for siding thickness being used. Four positions are available: 1 1/4" (3.18cm), 1" (2.54cm), 3/4" (1.91cm) and 3/8" (0.95cm) (Figure E). The 3/8" (0.95cm) position is for installation under eaves with soffit (Figure F).

Figure E

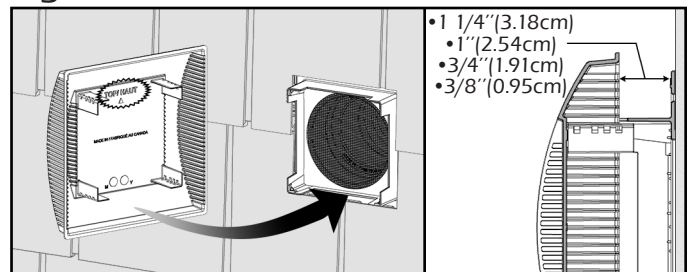


Figure F

