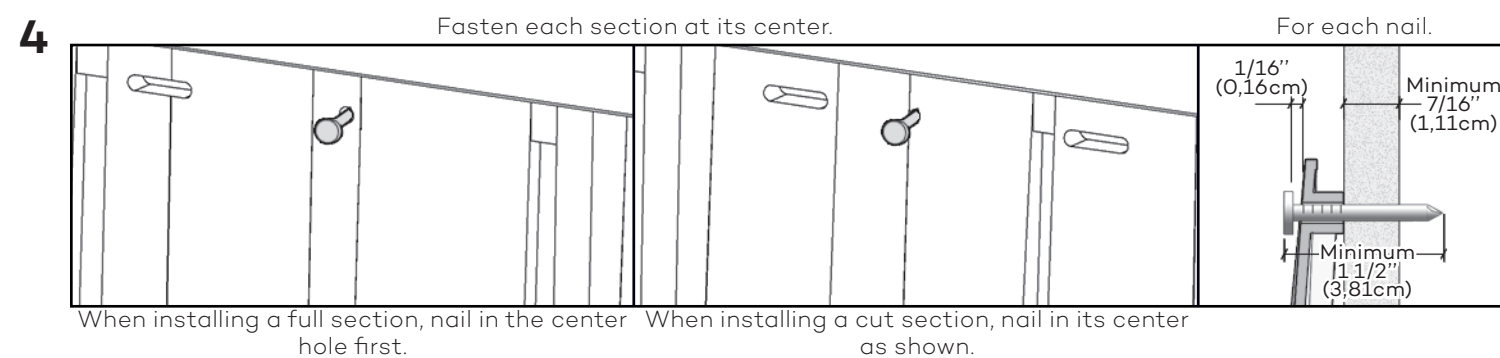
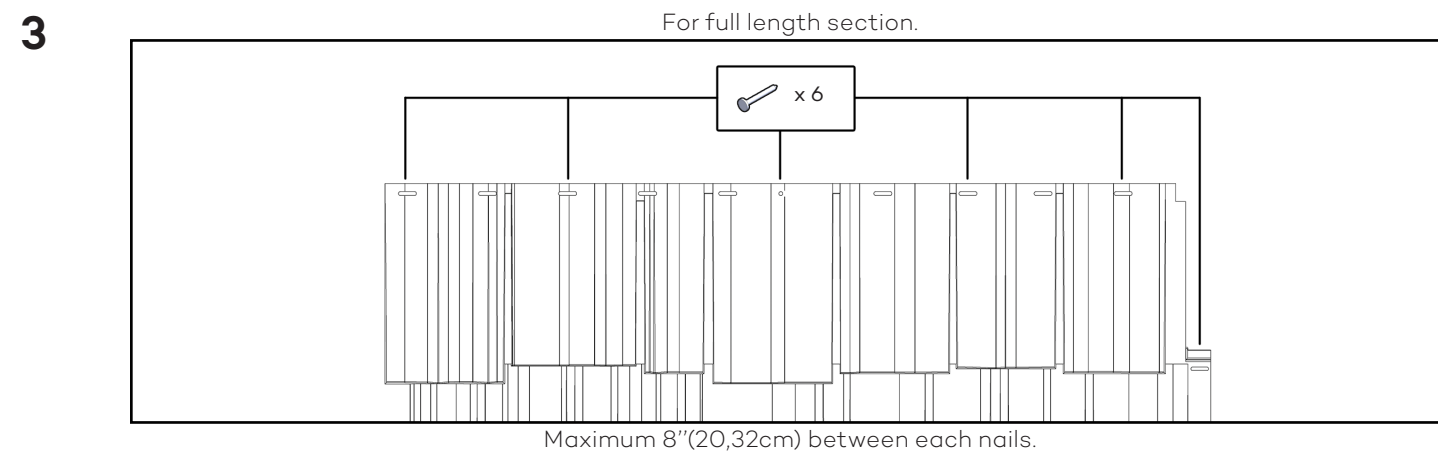
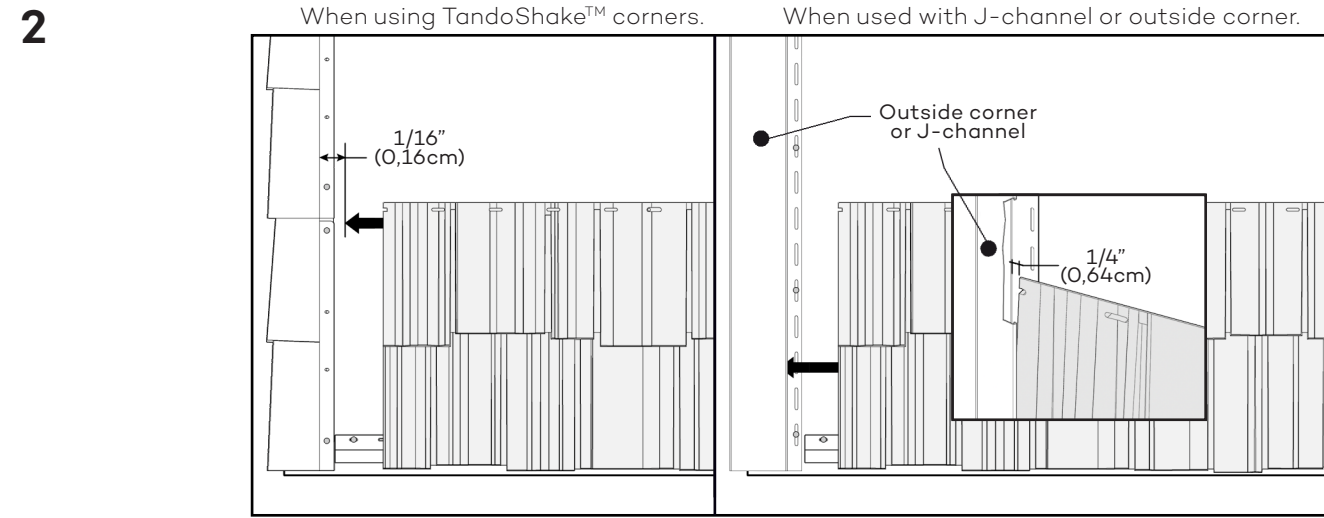
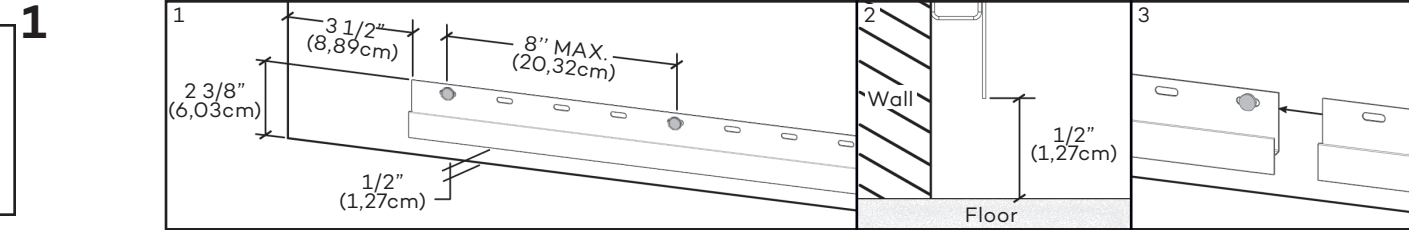
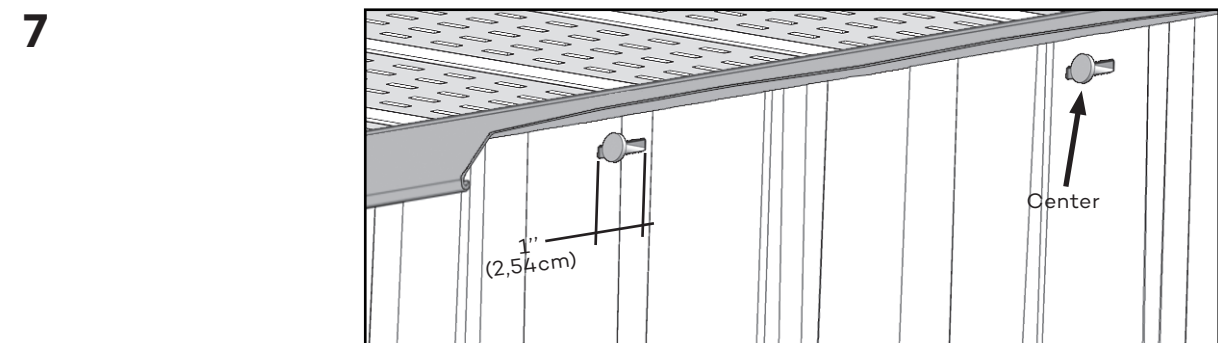
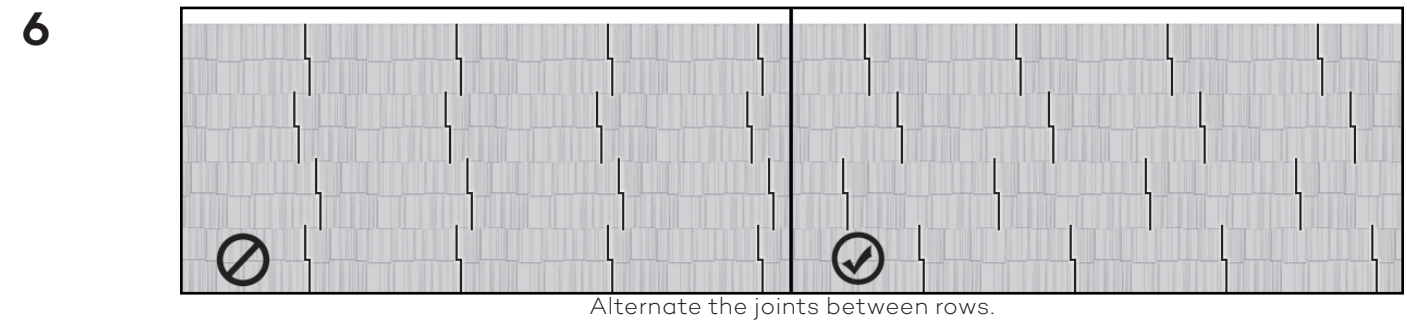
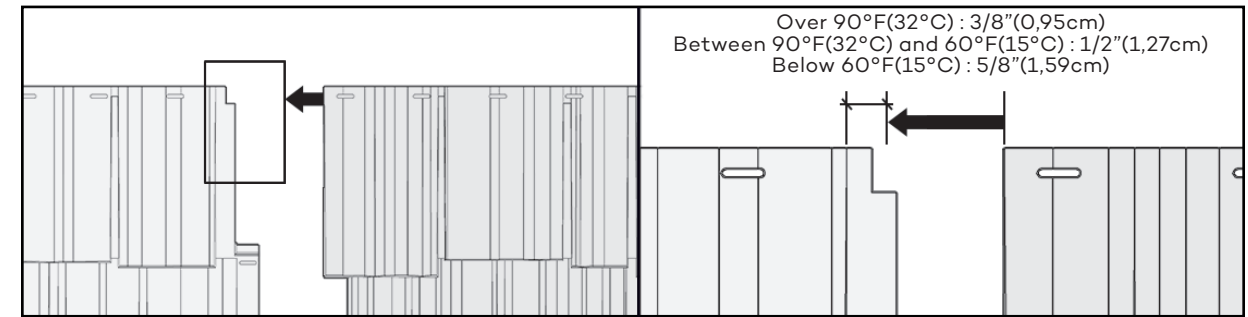


CAUTION: ALWAYS INSTALL PRODUCT FROM LEFT TO RIGHT AND REMEMBER THAT POLYMER UNDERGOES EXPANSION/CONTRACTION DUE TO TEMPERATURE VARIATIONS. FOR A BETTER LOOK WE RECOMMEND TO INSTALL PRODUCT ON FLAT SURFACES (EX: PLYWOOD PANELS OR OSB PANELS). IF SECTIONS ARE INSTALLED ON A WALL WITH FURRINGS, FURRING STRIPS MUST BE INSTALLED OBLIQUELY AND SPACED BY 8" (20,32CM).

FRANCAIS
AU VERSO



5 Install sections and space equally according to the outside temperature when installing and the temperature chart below.



If you need to attach the section in an area other than the installation hole, create a 1" (2,54 cm) long slot to allow nailing. Always nail in the middle of the slot.

