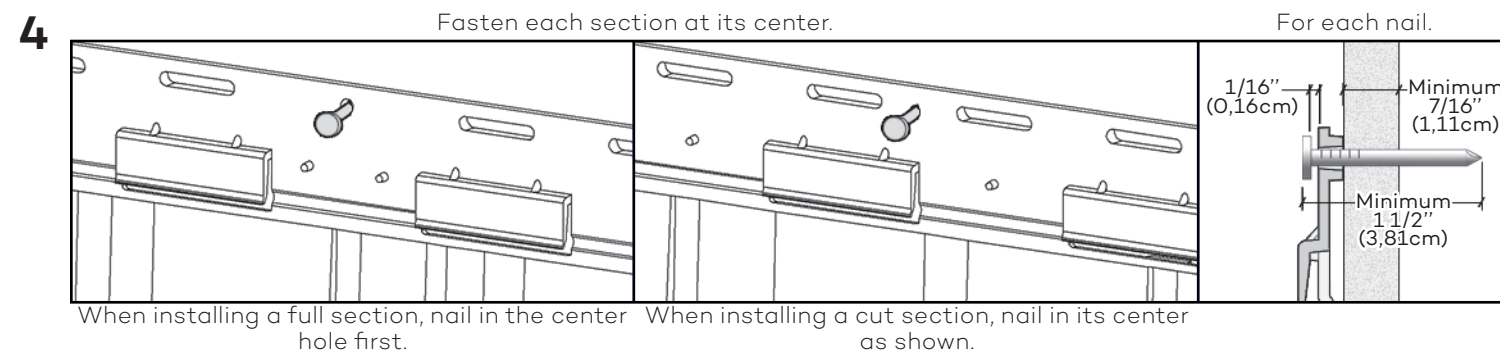
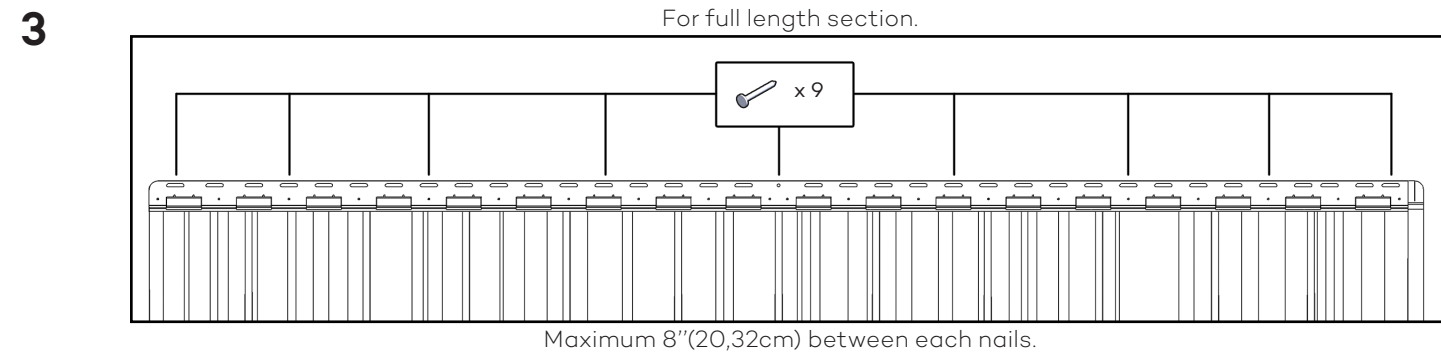
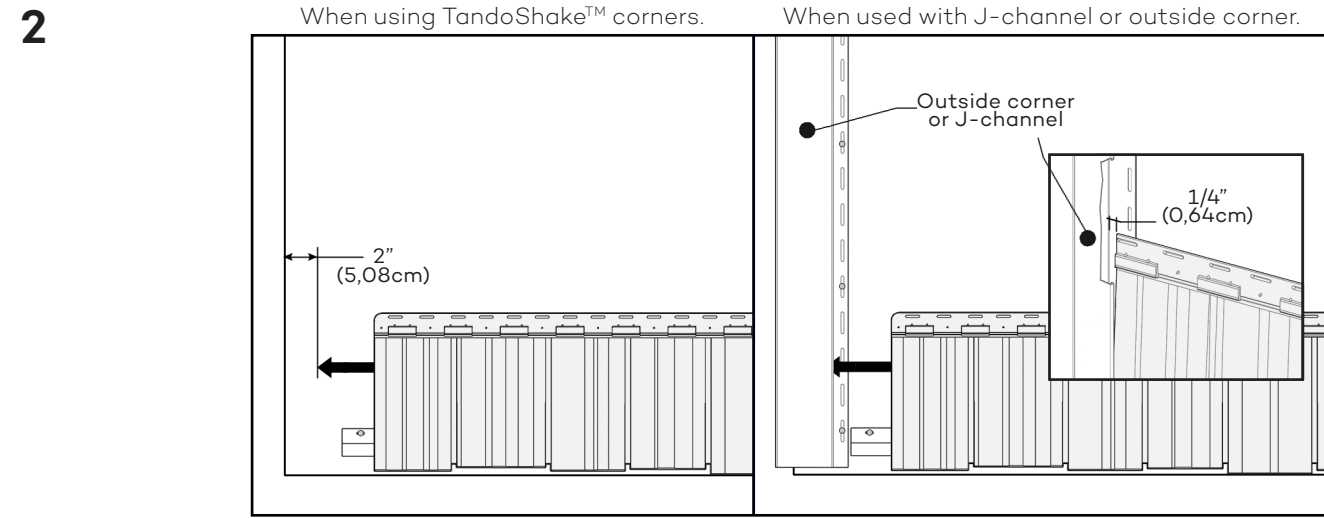
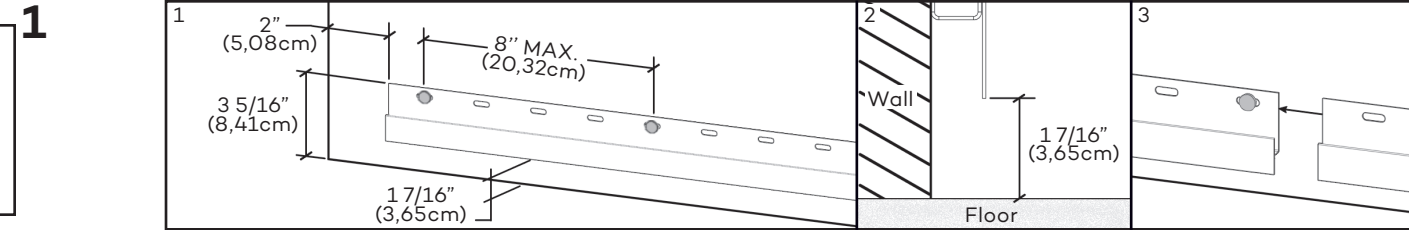
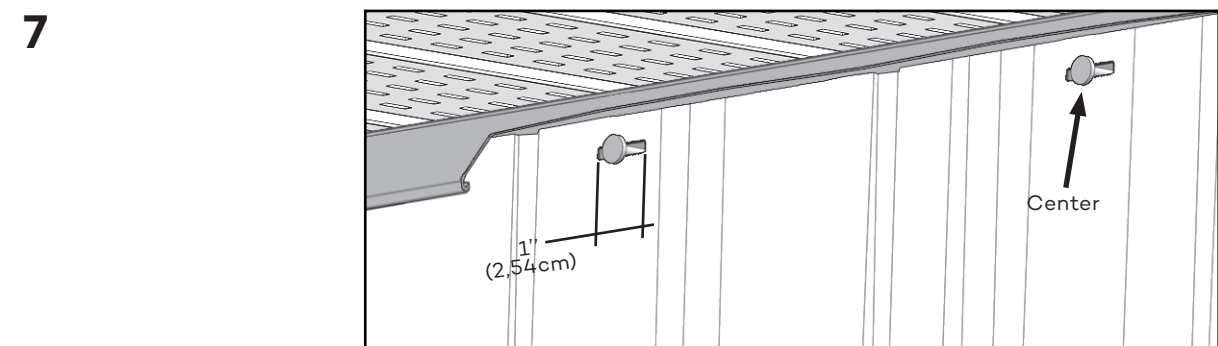
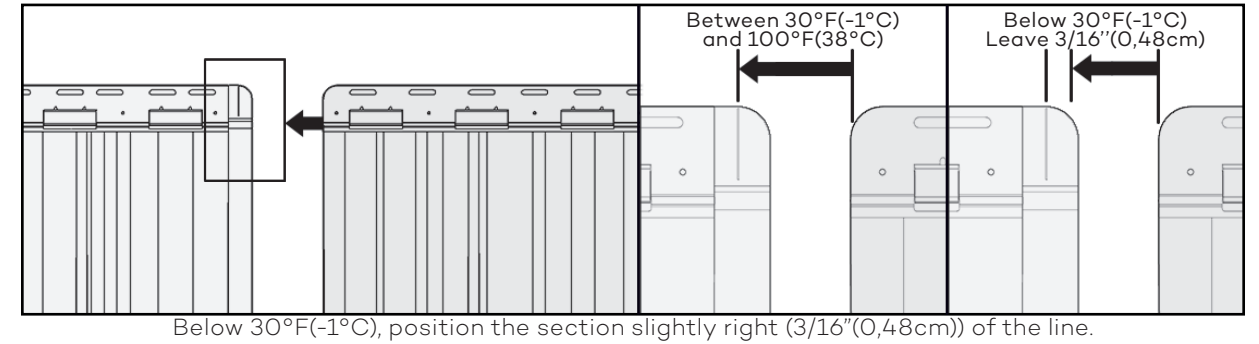


CAUTION: ALWAYS INSTALL PRODUCT FROM LEFT TO RIGHT AND REMEMBER THAT POLYMER UNDERGOES EXPANSION/CONTRACTION DUE TO TEMPERATURE VARIATIONS. FOR A BETTER LOOK WE RECOMMEND TO INSTALL PRODUCT ON FLAT SURFACES (EX: PLYWOOD PANELS OR OSB PANELS). IF SECTIONS ARE INSTALLED ON A WALL WITH FURRINGS, FURRING STRIPS MUST BE INSTALLED OBLIQUELY AND SPACED BY 8" (20,32CM).

FRANCAIS
AU VERSO



5 Install sections and space equally. For installation when outside temperature is between 30°F (-1°C) and 100°F (38°C), stop at the line.



If you need to attach the section in an area other than the installation hole, create a 1" (2,54 cm) long slot to allow nailing. Always nail in the middle of the slot.

