

# BACKPACK CABINET

CABINETS

CONTROLLERS

DETECTION

PARKING

SIGNALS

SIGNS

SOFTWARE

SPECIALTY



## Overview

The Backpack Cabinet is the smallest cabinet in McCain's revolutionary ATC cabinet series and is built to comply with the latest ATC Standard 5301 V02, making them one of the safest and most efficient cabinets on the market today. These innovative cabinets combine the best of rack mount and serial-based designs to meet the needs of today's LED intersections. ATC cabinets feature a modern design and advanced safety features that complement the operational capabilities of ATC controllers and aim to protect agency, personnel, and public interests. These unrivaled benefits include load current monitoring to detect a dark approach, no exposed AC power to reduce accidental contact with high voltages, and the ability to keep the intersection in flash while replacing the combo input/output (I/O) assembly. With the most sold in the industry, our proven ATC Cabinets meet the needs of today's smart cities and are ready for tomorrow's challenges, including the future of connected and autonomous vehicles.

## Benefits

- Save time, space, and money
- Beautify your city and free up more sidewalk space
- Configure and reconfigure to your needs through unique combo I/O slot
- Safeguard against accidental shock from inadvertent contact with high voltages
- Comply with leading standards on electrical safety including, NEC and NFPA 70E
- Detect a dark approach for increased driver safety
- Connected vehicle ready

## Product Description

The McCain Backpack Cabinet offers dynamic control capabilities in a compact cabinet design ideal for central business districts, school zones, downtown areas, and HAWK applications.

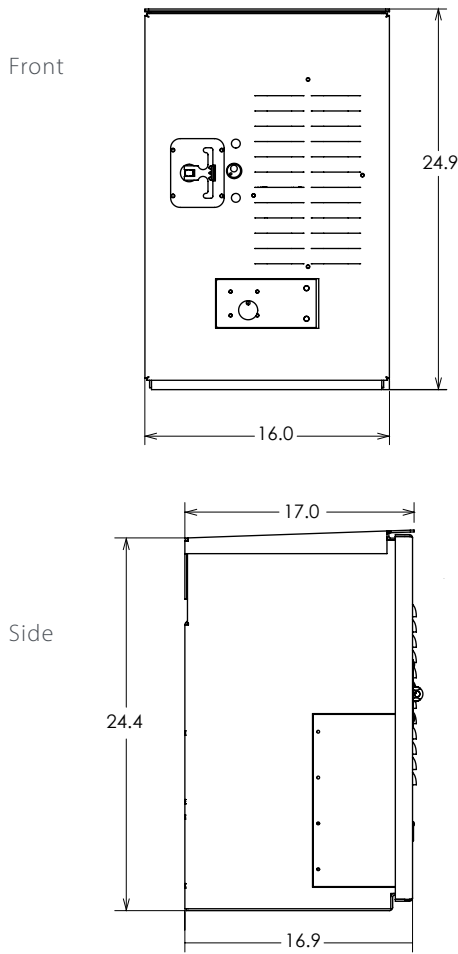
The Backpack Cabinet's combo I/O assembly offers unrivaled configuration flexibility through two fixed inputs, two fixed outputs, and two universal slots which can be used for either detector modules or switchpacks.

The single-door cabinet also features unique swing-out assemblies that provide easy access to field wires at the rear of the cabinet.

Small but mighty, the lightweight Backpack Cabinet can easily be pole or pedestal mounted without the need for a crane or lifting truck, saving both time and money.

Best of all, the cabinet's small size can free up sidewalk space in any community where space might otherwise be limited by a bulky cabinet footprint.

# Backpack Cabinet



Standard Cabinet  
Dimensions rounded to the nearest 0.1"

## Options

- 3/4" x 16" anchor bolts for mounting (4)
- Fiber optic termination panel
- Garmin GPS Communication Panel
- ATC Cabinet Input Test Panel
- Cabinet Test Display
- Input File Test Card
- ATC CyberCabinet
- ATC Cabinet Alarm Panel

## Standard Features

- Field output termination assembly provides removable contact blocks for easy connections to field signal wires, sockets for flash transfer relays (FTRs), and flash program blocks (FPBs) for output channels
- All channels are flashable and programmable
- FPBs control and select the color (red, yellow, or dark) during flash
- Hermetically sealed high-density FTR features an LED indicator to visually confirm relay is operational and contacts have transferred
- Interior LED cabinet light
- Model 2202 dual flasher/switch pack combination
- Exterior is continuously welded

## Assemblies & Components

- Combo I/O assembly with:
  - 2 fixed input slots (4 inputs per detection module)
  - 2 fixed output slots (2 channels, 6 outputs per switchpack)
  - 2 universal slots for either detection modules or switchpacks
- 2 or 4-channel industry standard detection modules
- Uses industry standard input components (i.e. loop amplifiers, PPB, EVP, etc.)
- 32-channel CMU
- CMU auxiliary display unit
- Model PS-2217 cabinet power supply
- Service assembly with clean AC and DC power
- Police panel with On/Off, MCE, Auto/Flash, and Interval Advance push button cable

## General Specifications

Dimensions:	Standard: 25"H x 16"W x 17"D Stretch: 30"H x 16"W x 17"D (rounded to the nearest inch)
Material:	5052-H32 aluminum, 0.125" thick
Finishes:	Natural, anodized, or powder coated
Doors:	Front door (1)
Latching System:	Single-point, choice of Corbin or Best locks
Handles:	T-handle lock with optional padlock features
Door Stops:	90° and 130° (±10°), bottom
Rack Assembly:	14" rack
Ventilation:	Thermostatically controlled 60 CFM fan, louvered air intake in door, pleated filter
Mounting:	Pole or pedestal mounted
Shipping Weight:	Standard: 52 lbs Stretch: 54 lbs (without plug-in or controller)