

BBS CABINET

General Purpose
Third Party



General purpose 27" x 24" x 8" version shown with optional batteries



Caltrans version shown

CABINETS

CONTROLLERS

DETECTION

PARKING

SIGNALS

SIGNS

SOFTWARE

SPECIALTY

Overview

McCain's Battery Backup System (BBS) Cabinets are NEMA 3R rated and designed to be base or side of pole mounted. Built to withstand harsh weather and operate in extreme temperatures, this cabinet will keep your BBS safe during such conditions as high winds, blizzards, and thunderstorms. McCain BBS Cabinets come in several different styles to be used with third-party batteries and backup systems as well as a version that meets Caltrans Transportation Electrical Equipment Specifications (TEES), August 2009.

Benefits

- Rugged construction for long life and protection from harsh weather conditions
- Available in a Caltrans TEES approved version, with or without back panel
- Sufficient room for batteries and backup equipment
- Available in general purpose and third party styles to meet your specifications

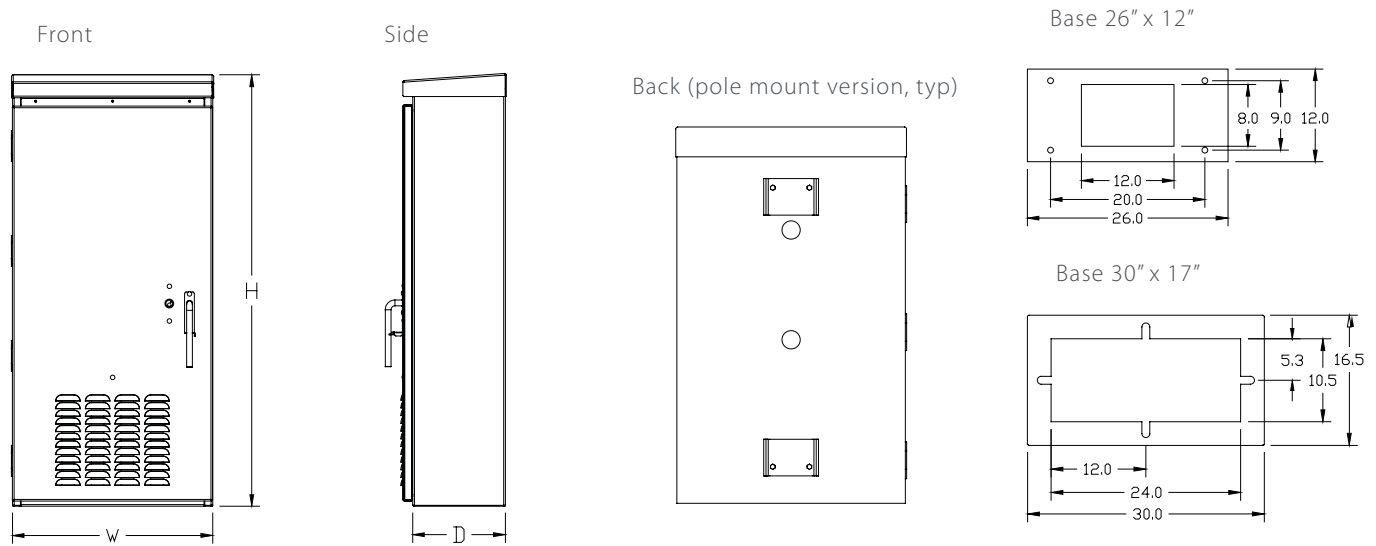
Product Description

The McCain BBS cabinets are available in a several styles. The cabinets vary in size to meet your particular needs containing a minimum of one and a maximum of four shelves, depending on the size and style of the cabinet.

All McCain BBS Cabinets are ventilated through the use of louvered door vents, a pleated filter, and one thermostatically controlled fan. Secured via a 3-point latching system with industry standard locks, the cabinets are not only functional but secure.

McCain also features a BBS/equipment cabinet with two front doors one stacked above the other. The doors enclose two bays, one for equipment and one for batteries.

BBS Cabinet



See chart below for H, W, & D values

Dimensions rounded to the nearest 0.1"

General Specifications

Style:	Clary & Alpha	Caltrans	General Purpose				
Dimensions ¹ (H x W x D):	44" x 26" x 12"	56" x 26" x 12"	27" x 24" x 8"	36" x 20" x 16"	41" x 25" x 17"	52" x 26" x 12"	54" x 18" x 16"
Material:	5052-H32 aluminum, 0.125" thick						
Finishes:	Natural, powder coat (standard, anti-graffiti, and custom colors), anodized						
Doors:	Front door (1)					Front door (2)	
Latching System:	3-point, choice of Corbin or Best locks						
Handles:	3/4" round, stainless steel, with padlock feature						
Door Stops:	90° and 180° (±10°), each door, bottom		None	90° and 180° (±10°), each door, bottom			
Shelves:	Clary (2) Alpha (3)	4	1	2	3		
Back Panel ² :	No	Optional	No		Standard	No	
Ventilation:	Thermostatically controlled 100 CFM fan, louvered air intake in door, pleated filter						
Mounting:	Base or side	Base, side, or pole	Side	Side	Pole	Base or side	Pole
Shipping Weight ³ :	88 lbs	140 lbs	42 lbs	60 lbs	90 lbs	110 lbs	100 lbs

¹ Dimensions rounded to the nearest inch

² Back panel - a removable back panel mounted on the back wall inside the cabinet to facilitate mounting BBS hardware such as inverter bypass switches, etc.

³ Weight without equipment or batteries

Options

- LED Light(s)
- Clary door-mounted inverter, power interface module, and batteries for Clary style cabinet
- Alpha inverter, batteries, and generator plug port for Alpha style cabinet