

SWARCO

OPTIPARK® CONTROLLER CABINET



OPTIPARK Parking Guidance System (PGS) alerts drivers to available parking, maximizes occupancy, enhances the driver experience, and boosts revenue. This advanced solution also provides rich data collection, robust reporting, and the ability to integrate with third party applications.

PRODUCT DESCRIPTION

SWARCO's OPTIPARK Controller Cabinet conforms to the National Electrical Manufacturer's Association (NEMA) standards and represents a modern and state-of-the-art approach to parking guidance. This robust cabinet is manufactured with high-quality standards and features. The flexible and modular design allows for replacement of all major components and assemblies. SWARCO's OPTIPARK Controller Cabinets come fully configured and tested with all electronic components (e.g. power supplies, edge computers, 2-pole main breakers and application breakers) necessary to support OPTIPARK's camera sensors and LED signs.

KEY BENEFITS

- Various racks can be configured to your unique specifications
- Front door provides easy access to the cabinet's interior that simplifies maintenance access
- Fully modular, expandable system
- Heavy duty NEMA cabinet built to withstand outdoor weather conditions
- Wall mount or pole mount cabinet manufactured according to the highest quality standards and made of durable painted aluminum



OPTIPARK® CONTROLLER CABINET

APPLICATION

- Houses electrical controls and instruments
- Intended for indoor or outdoor use
- Protects against windblown dust, rain and splashing water

POWER RATING

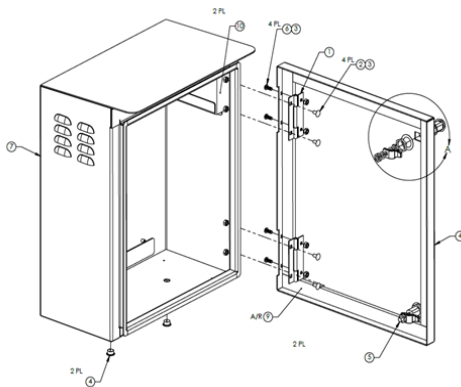
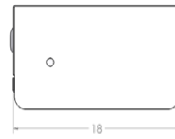
- 120 VAC / 20 amps circuit required
- Typical usage 20-50 watts

COMMUNICATION

- Incoming from network: Ethernet
- Outgoing to devices: Ethernet or RS-485

DIMENSIONS

- Height: 22"
- Width: 18"
- Depth: 10"



SCAN THE QR CODE TO LEARN MORE

swarco-optipark.com/PGS

INCLUDED ASSEMBLIES

Item	Qty	Part #	Description
1	2	M14408	Hinge, Door
2	4	M11804	Bolt, 1/4-20 x .50, CB, SS
3	8	M20096	Kep Nut, 1/4-20 SS
4	2	M61454	Vent, D2421B Stimpson
5	2	M49054	Latch, Compression Southco E3-15-25
6	4	M27150	Screw, 1/4-20 5/8LG AH, SS
7	1	M79212	Weldment, Sign Cabinet 22x18x10
8	1	M79214	Door, Sign Cabinet, 22x18x10
9	1	M26205	Gasket, 3/8 x 1-1/4, Neoprene
10	1	M10271	Filter, Sign Cab 22x18x10
11	1	M53284	Bracket, Easy Mount Fan, 3581 ATCC
12	1	M72925	Swell Latch, Light Duty, Southco

(888) 262-2246
optipark@swarco.com

SWARCO reserves the right to make changes at any time in order to supply the best product possible. © SWARCO 2021 Update 10 Aug 2021

