

SWARCO

McCain PEDESTRIAN PUSHBUTTONS

5" X 7"

9" X 12"



McCain Pedestrian Pushbuttons are designed for use in conjunction with pedestrian signals to promote the experience and safety of people at intersections. Promoting freedom of mobility, two-inch pushbuttons can be operated with minimal force, in compliance with the Americans with Disabilities Act (ADA) guidelines. Pushbuttons all feature a stainless steel design and compatibility with a wide variety of push button message plates.



5" x 7" Pushbutton
(plate sold separately)



9" x 12" Pushbutton
(plate sold separately)

KEY BENEFITS

- Two-inch activator button meets or exceeds ADA guidelines
- Adjustable mounting rails accommodate a range of post sizes
- Dust-proof, water-resistant switch tested to 10 million cycle

PRODUCT DESCRIPTION

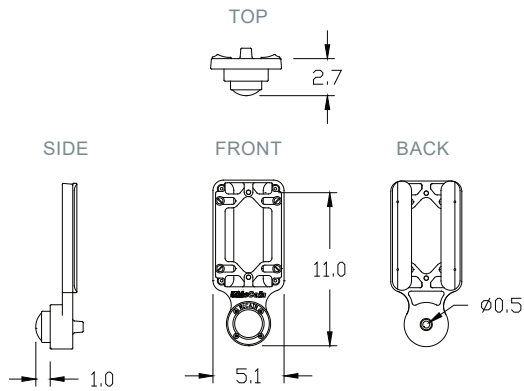
McCain Pedestrian Pushbuttons are used by pedestrians to indicate a desire to cross an intersection. The pushbuttons communicate with local intersection controllers to minimize undue pedestrian delay by expediting phase timing and/or ensuring that the vehicular phase timing is extended to permit enough time for the pedestrian to safely cross.

SWARCO McCain, Inc. manufactures two sizes of pedestrian pushbutton housings with adjustable mounting rails to accommodate a full range of post sizes. The two-inch pushbutton is ADA compliant.

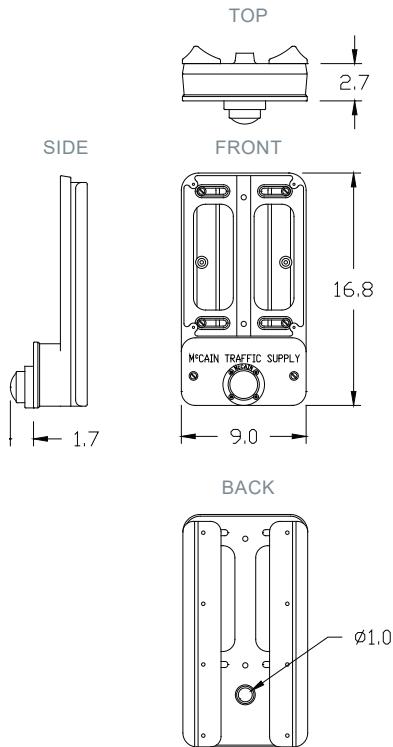
The pushbutton actuator and associated parts are fabricated from stainless steel and the housings are available in a variety of colors to meet your needs.

McCain PEDESTRIAN PUSHBUTTONS

5" X 7"



9" X 12"



STANDARD FEATURES

- Meets or exceeds ADA guidelines
- Activating force of less than 3.5 lbs
- Dustproof, water-resistant switch
- Adjustable pole mounting brackets

GENERAL SPECIFICATIONS

	5" X 7"	9" X 12"
Housing Dimensions:	5.1"W x 11.0"H x 2.7"D	9.0"W x 16.8"H x 2.7"D
Button Diameter:	2"	
Plate Mounting:	4.0"W x 6.75"H	7.25"W x 10.25"H
Housing Material:	Cast aluminum	
Button Material:	Stainless steel	
Finish:	Powder coat	
Colors:	Federal yellow, signal green, black, or custom color	
Switch Activating Force:	3.5 lbs (15.6 N)	
Mounting:	Adjustable pole mount	
Shipping Weight:	2.7 lbs	8.3 lbs

OPTIONS

- Wide variety of cover plates (i.e., with pedestrian instructions)
- 2" ADA pushbutton available separately to retrofit existing standard, non-ADA pushbuttons
- Tamper-resistant screws



2" ADA pushbutton