

# REFLECTORIZED STREET NAME SIGN (RSNS)

SG Type  
G7 Type  
Flush Mount



CABINETS  
CONTROLLERS  
DETECTION  
PARKING  
SIGNALS  
**SIGNS**  
SOFTWARE  
SPECIALTY

## Overview

McCain's Reflectorized Street Name Sign (RSNS) enhances intersection safety by increasing sign visibility and legibility, giving drivers more time to act and react while approaching and passing through intersections. RSNS signs are particularly advantageous at night due to the additional reflection of the light from automobile headlights as well as surrounding street lights. Due to the signs minimal up-front and maintenance costs, reflectorized signs are a cost-effective way to enhance the aesthetics and safety of your neighborhoods for residents and visitors alike.

## Benefits

- Increased sign visibility day and night
- Attractive, durable, and functional signs increase intersection safety
- Appealing design options increase the aesthetics of your neighborhoods
- Available in a variety of colors, sizes, and designs to meet your needs

## Product Description

The McCain Reflectorized Street Name Sign is fully customizable; available in a variety of sizes and colors, with options for custom fonts, logos, and borders to meet your needs. The sign is both functional and attractive, increasing the safety and visual appeal of your neighborhoods.

McCain's durable and hassle-free RSNS signs are constructed of aluminum to prevent rusting and are virtually maintenance free.

These light weight signs come with all the necessary mounting equipment and assemblies to ensure a simple and timely installation process.

# Reflectorized Street Name Sign

## Standard Features

- 500' legibility
- Corrosion resistant
- Single or double sided sign

## Options

- City logos, state shields, and custom borders available
- Various sizes available
- Free-swinging mounting assembly that allows for easy height and level adjustment and greater wind resistance
- Various mounting options available
- SG high wind option

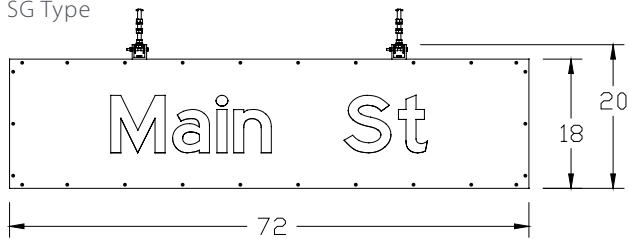
## General Specifications

Dimensions:	Typical options include: Length: 4', 6' or 8' Height: 18" or 30"
Material:	Frame and panels: aluminum Reflective Sheeting: 3M Diamond Grade
Character:	Highway Gothic series B, C, D, E & EM Federal Hwy 2000 series B to EM Clearview Hwy series 1-W to 6-W <i>Custom fonts available</i> <i>City logos and state shields available</i> Height: 8" (typical) Capacity: Depends on font style & width
Color:	Yellow - 1171    Worboy Green - 1176 Red - 1172      Black (Opaque) - 1178 Orange - 1174    Brown - 1179 Blue - 1175 Green - 1177
Mounting:	Varies based on sign type
Weight:	Varies based on type and size selections

*Please contact a McCain account manager for more details, including size, weight, and mounting options.*

RSNS are available in multiple height and length combinations.  
Typical 6 foot shown

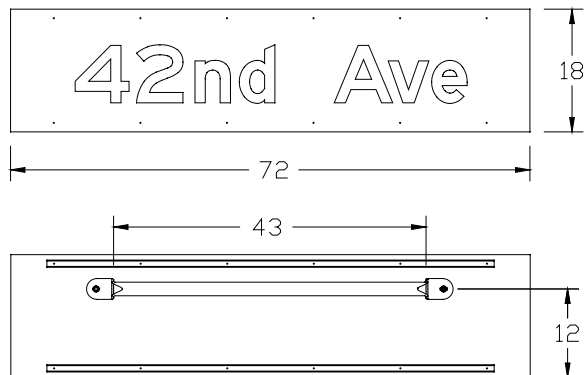
SG Type



G7 Type



Flush Mount  
(Front & Back)



Dimensions rounded to the nearest 0.1"