

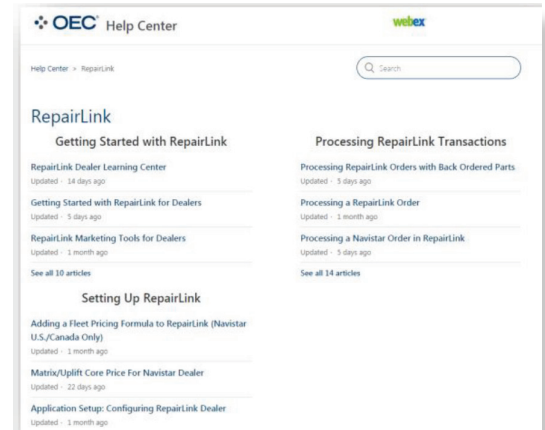
# Onboarding Your Shops

Follow these best practices to help you get your shops setup and transacting quickly.

## Initial Shop Set Up Instructions

### GET YOUR SHOPS UP AND RUNNING

- Have shops register for free at [www.RepairLinkShop.com](http://www.RepairLinkShop.com).
- Add company name and create login name / password.
- Find and add your preferred dealers.
- Source parts with VIN, Year Make and Model, or Part Number.
- Help is always available in the Help Center.



## Provide Value to Shops

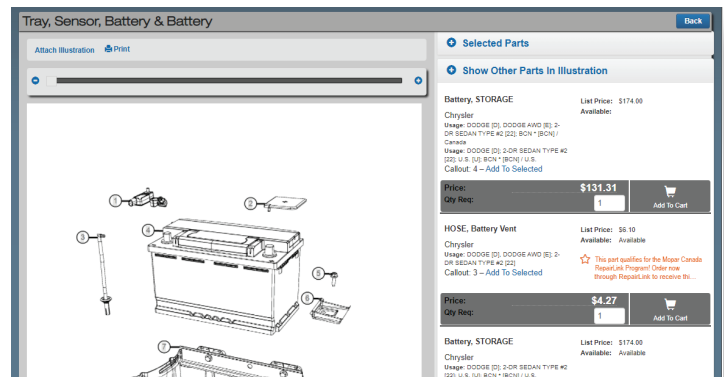
### TECHNOLOGY DOESN'T SELL PARTS, HUMANS DO!

- RepairLink Shop will not replace your relationships, it will streamline parts ordering.
- Send through RepairLink to get the best price on OEM parts.
- VIN-based parts look up.
- Order online 24/7 with preferred dealerships.
- Stay up up-to-date with text and email notifications.
- Integrate with many common shop management systems.
- Best-in-class part illustrations and technical diagrams of 23 OEMs.
- Reduce parts returns and repair cycle times by installing more OEM parts.
- Build trust - assure your shops that you will continue to over communicate.
- Get out to see your shops, your competitors are!

## Promote to Your Shops

### LET SHOPS KNOW HOW EASY IT IS TO USE

- RepairLink is an online parts ordering system with complete pricing and inventory availability.
- You are up and running in less than 30 minutes.
- RepairLink Shop is FREE.
- Get more OEM parts without losing profit.
- RepairLink strengthens relationships by solidifying workflows.
- RepairLink makes dealers the best option for parts purchasing.



**Contact your Customer Success Rep or visit the Help Center or help creating marketing strategies, flyers and stickers.**