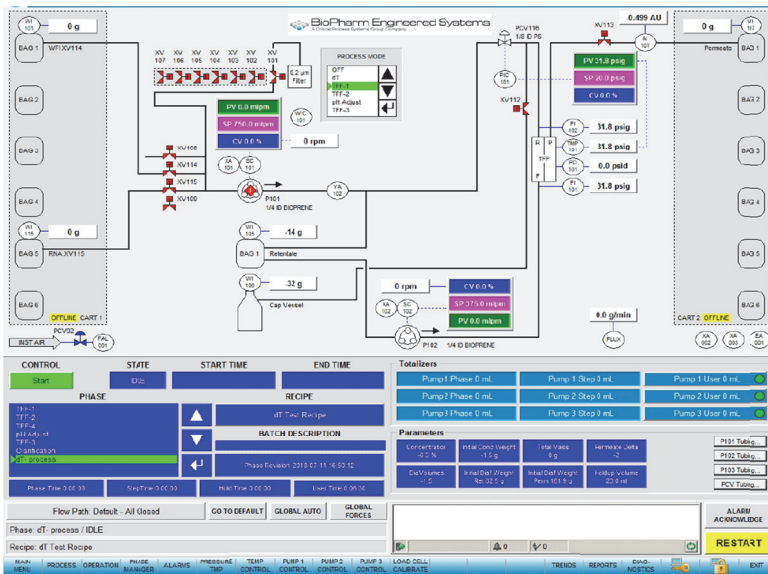


Process Control Interface (PCI) | Automation System

Pharmaceutical and Biopharmaceutical



DESCRIPTION | FEATURES | BENEFITS | SPECIFICATIONS

BPES' Process Control Interface (PCI) is a highly flexible open source automation system available on all BPES process skids.

PROCESS CONTROL INTERFACE	DESCRIPTION
HMI:	<p><b>Rockwell FactoryTalk View SE with Windows:</b></p> <ul style="list-style-type: none"> <li>Provides the touch screen operator interface to the control system.</li> <li>Graphical animated P&amp;ID always visible with status and faceplate displays for all detailed control functions.</li> <li>Valves, pumps, instrument values, discrete devices, flow paths are all dynamically displayed.</li> <li>Trends (real-time and historical).</li> <li>Alarm and event summary.</li> <li>Phase control and status.</li> <li>Diagnostic and configuration functions.</li> <li>System Security (can be linked to Windows).</li> </ul>
Phases and Recipes:	<p><b>Phase Manager:</b></p> <ul style="list-style-type: none"> <li>Used to create and edit phases.</li> <li>Phases can be linked together to form an Operation.</li> <li>Uses the S88 State Model.</li> <li>Every function is defined for each step in the phase sequence including:                             <ul style="list-style-type: none"> <li>Step description.</li> <li>Flow path.</li> <li>All control loop modes and set points.</li> <li>Analog alarm enable/disable.</li> <li>Prompt (information or question).</li> <li>Restart step.</li> </ul> </li> <li>Step Transition. Phase steps advance based on one or two transitions used in a boolean expression. Available transitions include totalizers, timers, instrument values, derived data values, control loop states and prompt acknowledgment.</li> <li>Hold, Abort and End flow paths are defined for each phase.</li> </ul>
Recipe Editor:	<p>Defines control set points, alarm set points and transition variables used by the phase. All set points can be defined in the phase or use the recipe variables on a step by step basis.</p>
Report Client:	<p>Used to view reports. Data retrieved from secure SQL server database. Query by Batch ID or date/time. Print and/or save report data for viewing in Microsoft Excel.</p>

PLEASE CONTACT OUR SALES DEPARTMENT FOR FURTHER DETAILS AND QUOTATION:

Email: [sales@bpesys.com](mailto:sales@bpesys.com)  
Phone: 978-691-2737