

Quazite® H2O



QUAZITE® H2O assemblies include a polymer concrete box, a galvanized steel frame and cover. Properly installed, QUAZITE H2O assemblies meet all AASHTO H2O application specifications

- Galvanized steel frame and cover are H2O compliant
- Polymer concrete box is long lasting, easy to modify and install; available in a variety of depths
- Frame and covers available for 13x24 and 17x30 enclosures

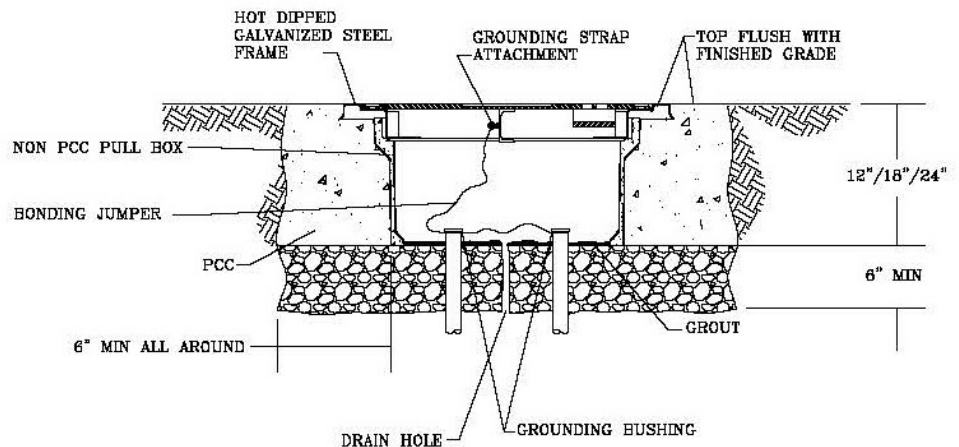
All New Design

QUAZITE H2O assemblies are designed to handle frequent loading from vehicular traffic including industrial loading zones, parking facilities, roadside utilities or anywhere that enclosures are likely to be hit by frequent traffic.

Typical Installation

QUAZITE H2O assemblies require cast-in-place concrete that surrounds the enclosure (shown to right).

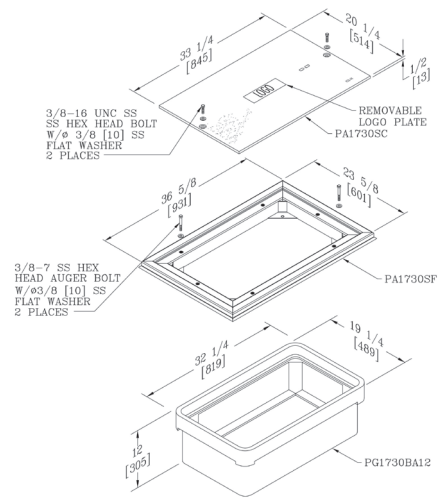
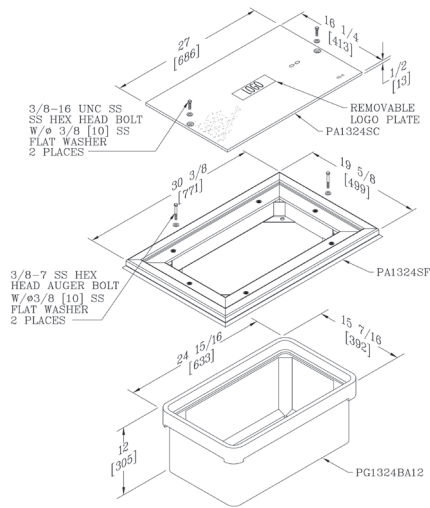
The galvanized steel frame is embedded into the concrete and the galvanized cover then fits into the frame. The concrete is typically a minimum of six inches deeper than the enclosure depth. The wall thickness of the concrete is a minimum of 3 inches.



For more information contact QUAZITE Customer Service: 1-800-346-3062



Quazite® H2O



13x24

| Catalog Number | Description | Design Load (lbs) | Weight (lbs) | Length (in) | Width (in) | Height (in) |
|----------------|------------------------------------|-------------------|--------------|-------------|------------|-------------|
| PG1324Z119*** | 13x24x12 Galvanized Steel Assembly | 16,000 | 204 | 29.375 | 18.5625 | 12.000 |
| PG1324Z120*** | 13x24x18 Galvanized Steel Assembly | 16,000 | 230 | 29.375 | 18.5625 | 18.000 |
| PG1324Z121*** | 13x24x24 Galvanized Steel Assembly | 16,000 | 258 | 29.375 | 18.5625 | 24.000 |
| PA1324SC*** | Cover, Galvanized Steel | 16,000 | 70 | 27.000 | 16.2500 | 0.5000 |
| PA1324SF | Frame, Galvanized Steel | 16,000 | 83 | 29.375 | 18.5625 | 3.0625 |
| PG1324BA12 | Box <u>Only</u> ; Hex Head Bolt | 22,000 | 51 | 24.875 | 15.3750 | 12.000 |
| PG1324BA18 | Box <u>Only</u> ; Hex Head Bolt | 22,000 | 77 | 24.875 | 15.3750 | 12.000 |
| PG1324BA24 | Box <u>Only</u> ; Hex Head Bolt | 22,000 | 105 | 24.875 | 15.3750 | 12.000 |

*** = logo code

17x30

| Catalog Number | Description | Design Load (lbs) | Weight (lbs) | Length (in) | Width (in) | Height (in) |
|----------------|------------------------------------|-------------------|--------------|-------------|------------|-------------|
| PG1730Z286*** | 17x30x12 Galvanized Steel Assembly | 16,000 | 273 | 35.50 | 22.50 | 12.000 |
| PG1730Z287*** | 17x30x18 Galvanized Steel Assembly | 16,000 | 301 | 35.50 | 22.50 | 18.000 |
| PG1730Z288*** | 17x30x24 Galvanized Steel Assembly | 16,000 | 316 | 35.50 | 22.50 | 24.000 |
| PA1730SC*** | Cover, Galvanized Steel | 16,000 | 103 | 33.25 | 20.25 | 0.5000 |
| PA1730SF | Frame, Galvanized Steel | 16,000 | 104 | 35.50 | 22.50 | 3.0625 |
| PG1730BA12 | Box <u>Only</u> ; Hex Head Bolt | 22,000 | 66 | 32.25 | 19.25 | 12.000 |
| PG1730BA18 | Box <u>Only</u> ; Hex Head Bolt | 22,000 | 94 | 32.25 | 19.25 | 12.000 |
| PG1730BA24 | Box <u>Only</u> ; Hex Head Bolt | 22,000 | 109 | 32.25 | 19.25 | 12.000 |

*** = logo code

For more information contact QUAZITE Customer Service: 1-800-346-3062

