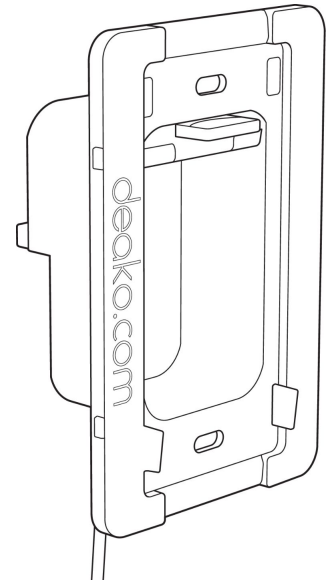


# Deako Quick Wire Backplates

Deako Backplates for Deako Switches



Deako's backplate is specifically designed for all Deako switches and comes ready to install in your home. The backplate allows for switches to easily be clicked in and out, allowing for flexibility in Smart Switch, Simple Switch, and Smart Dimmer placement.

Installation is quick and easy with the use of push-in wire connectors on the rear of the backplate. Compatible with all NEC compliant light circuit wiring such as single-pole, 3-way, and 4-way configurations.

## Features

- Works with any Deako switch - smart or simple
- Deako backplates are compatible with 14AWG solid core wire for other wiring options - please contact your Deako account manager for more details
- Included mounting hardware

# Specifications

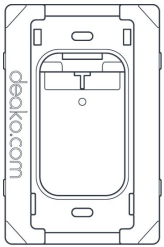
For Deako Quick Wire Backplates

|                                      | 1-Gang Quick Wire Backplate   | 2-Gang Quick Wire Backplate | 3-Gang Quick Wire Backplate | 4-Gang Quick Wire Backplate |
|--------------------------------------|---|-----------------------------|-----------------------------|-----------------------------|
| <b>SKU</b>                           | DS-BP1Q-WHNL-UCX  | DS-BP2Q-WHNL-UCX            | DS-BP3Q-WHNL-UCX            | DS-BP4Q-WHNL-UCX            |
| <b>Dimensions (H x W x D)</b>        | 4.45" x 2.93" x 1.73"   | 4.45" x 4.75" x 1.73"       | 4.45" x 6.57" x 1.73"       | 4.45" x 8.34" x 1.73"       |
| <b>Weight</b>                        | 2.3 oz  | 4.3 oz                      | 6.2 oz                      | 8.2 oz                      |
| <b>Min. j-box interior (W x D)*</b>  | 2.9" x 1.8"   | 4.7" x 1.7"                 | 6.5" x 1.7"                 | 8.3" x 1.7"                 |
| <b>Faceplate compatibility / SKU</b> | 1-Gang Faceplate  | 2-Gang Faceplate            | 3-Gang Faceplate            | 4-Gang Faceplate            |
|                                      | DS-FP1Y-WHWH-UCX  | DS-FP2Y-WHWH-UCX            | DS-FP3Y-WHWH-UCX            | DS-FP4Y-WHWH-UCX            |
| <b>Compatibility</b>                 | Single pole, 3-way, 4-way and dead-end circuits   |                             |                             |                             |
|                                      | Deako Faceplate DS-FP series  |                             |                             |                             |
|                                      | Deako Switches DS-SS, DS-CS, & DS-CD series   |                             |                             |                             |
|                                      | All standard NEC compliant junction boxes ( <i>Deako recommends 2.5" depth for ease of installation</i> ) |                             |                             |                             |
| <b>Regulatory Approvals</b>          | cULus Listed (UL514D)   |                             |                             |                             |
| <b>Power</b>                         | 120V AC 15A   |                             |                             |                             |
| <b>Environment</b>                   | Indoor use only   |                             |                             |                             |
| <b>Operating temperature range</b>   | 0°C to 40°C (32°F to 104°F)   |                             |                             |                             |
| <b>Warranty</b>                      | 1-year  |                             |                             |                             |
| <b>Vertical Markets</b>              | Residential   |                             |                             |                             |
|                                      | Multiple dwellings  |                             |                             |                             |
|                                      | Hospitality / Lodging   |                             |                             |                             |

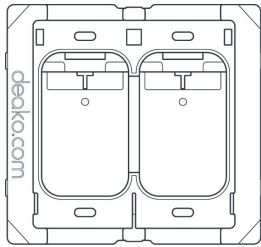
\*dimensions shown are representative of the the smallest recommended size for the junction box interior

# Available configurations

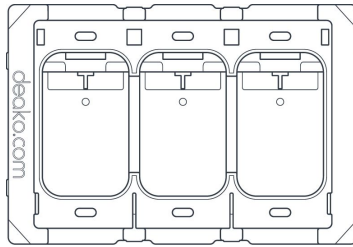
For Deako Quick Wire Backplates



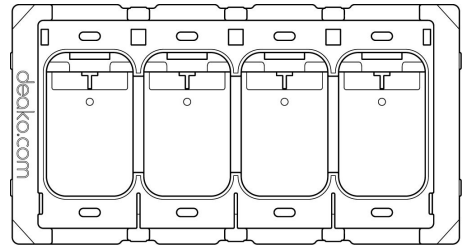
1-Gang



2-Gang



3-Gang



4-Gang

|                |       |
|----------------|-------|
| Date           | Notes |
| Job location   |       |
| Approved by    |       |
| Job no. / type |       |