

User Guide

Loner

M6 & M6i

Mobile Worker Safety Device



SureSafe™

Safety Monitoring confirmation light

LiveResponse™

Immediate employee confirmation that help is on the way

blacklinesafety

Alert. Locate. Respond.

Legal Notices

Information in this document is subject to change without notice. This document is provided "as is" and Blackline Safety Corp. ("Blackline") and its affiliated companies and partners assume no responsibility for any typographical, technical or other inaccuracies in this document. Blackline reserves the right to periodically change information that is contained in this document. However, Blackline makes no commitment to provide any such changes, updates, enhancements or other additions to this document to you in a timely manner or at all.

Copyright © 2016 Blackline Safety Corp. All rights reserved.

Except as expressly provided herein, no part of this manual may be reproduced, copied, transmitted, disseminated, downloaded, or stored in any storage medium, for any purpose without the express prior written consent of Blackline Safety Corp ("Blackline"). Blackline hereby grants permission to download a single copy of this manual onto some form of electronic storage medium to be viewed and to print one copy of this manual or any revision hereto, provided that such electronic or printed copy of this manual must contain the complete text of this copyright notice. Further, any unauthorized commercial distribution of this manual or any revision hereto is strictly prohibited.

The Blackline, Alert, Locate, Respond, families of related marks, images and symbols, including Blackline, LiveResponse, Loner, LonerIS, Loner IS+, Loner M6, Loner M6i, Loner Mobile, Loner 900, and SureSafe are the exclusive properties and trademarks of Blackline Safety Corp. All other brands, product names, company names, trademarks and service marks are the properties of their respective owners.

Warranty

Your Loner device is warranted against defects in materials and workmanship for up to one year from date of purchase. For further details regarding your Blackline warranty, please refer to your terms and conditions of service. More information and support visit: <http://www.blacklinesafety.com>

FCC Compliance

This equipment has been tested and found to comply with the limits for a Class B digital device, pursuant to part 15 of the FCC rules. These limits are designed to provide reasonable protection against harmful interference in a residential installation.



Operation is subject to the following two conditions: (1) This device may not cause harmful interference, and (2) this device must accept any interference received, including interference that may cause undesired operation. Changes or modifications not expressly approved by the manufacturer could void the user's authority to operate the equipment.

This equipment generates, uses and can radiate radio frequency energy and, if not installed and used in accordance with the instructions, may cause harmful interference to radio communications. However, there is no guarantee that interference will not occur in a particular installation. If this equipment does cause harmful interference to radio or television reception, which can be determined by turning the equipment off and on, the user is encouraged to try to correct the interference by one or more of the following measures:

- Reorient or relocate the receiving antenna.
- Increase the separation between the equipment and receiver.
- Connect the equipment into an outlet on a circuit different from that to which the receiver is connected.
- Consult the dealer or an experienced radio/TV technician for further assistance.

Loner M6 and Loner M6i meets the regulatory requirements for RF exposure. This device may be used anywhere against your body with no separation (0 mm) and as close as 10 mm to your head.

Industry Canada Compliance

This device complies with Industry Canada licence-exempt RSS standard(s). Operation is subject to the following two conditions: (1) this device may not cause interference, and (2) this device must accept any interference, including interference that may cause undesired operation of the device.

Notification d'Industrie Canada

Ce dispositif est conforme au(x) format(s) RSS libre(s) d'Industrie Canada. Son fonctionnement est assujéti aux deux conditions suivantes : (1) Cet appareil ne peut causer d'interférences nuisibles, et (2) cet appareil doit accepter toute interférence reçue, y compris les interférences pouvant provoquer un mauvais fonctionnement du dispositif.

RF Exposure Statement

For body worn operation, Loner M6 and Loner M6i has been tested and meets the FCC and IC guidelines for RF exposure when used with the Blackline Safety belt clip designated for the Loner M6 and Loner M6i. Use with other accessories may not ensure compliance with FCC and IC guidelines for RF exposure.

Déclaration d'exposition RF

Pour utilisation sur le corps, Loner M6 et Loner M6i a été testé et répond aux directives de la FCC et IC d'exposition aux radiofréquences lorsqu'il est utilisé avec le clip ceinture Blackline Safety désigné pour Loner M6 et Loner M6i. Utilisation avec d'autres accessoires peut ne pas assurer le respect des directives de la FCC et IC d'exposition aux radiofréquences.

Table of Contents

Certifications and Safety Precautions

The difference between Loner® M6 and Loner® M6i 4

Intrinsically Safe Loner M6i 5

Warning 6

Blackline Safety Network and Service Plans

Blackline Safety Network 7

Service Plans 7

Device Activation 7

Overview

Contents 8

Hardware Details 8

Using the device

Charging 10

Charging Status 11

Turning On 12

Turning Off 12

SureSafe™ Indicator Light 13

Local Alarms 14

Alerts & Notifications

LiveResponse™ Confirmation Light.....	16
Emergency Latch	16
Silent Emergency Alert.....	17
Fall Detection	18
No Motion Detection.....	19
Checking In	20
Voice Call Functionality	22
Low Battery Notification.....	23

Device Care

Consideration Regarding Use and Storage.....	24
--	----

Customer Care

Technical Support for Loner M6 and Loner M6i	24
--	----

Specifications

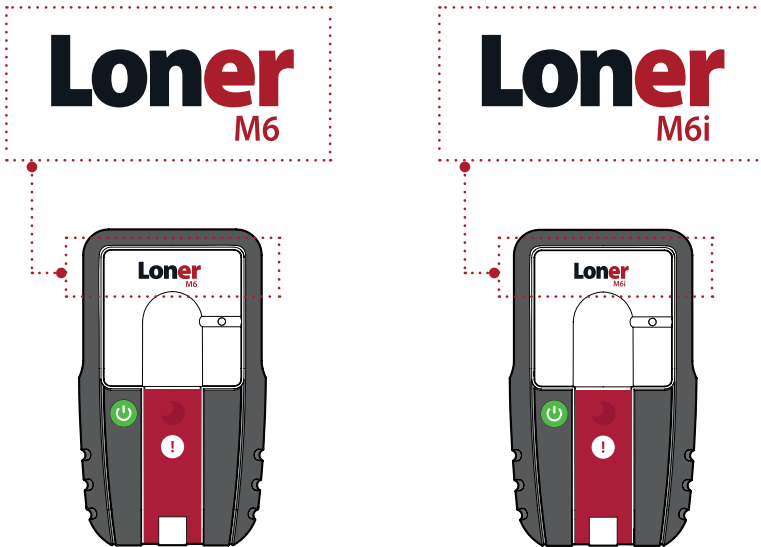
Specifications for Loner M6 and Loner M6i	25
---	----

Certifications and Safety Precautions

The difference between Loner® M6 and Loner® M6i

This manual covers the functionality of the Loner M6 and Loner M6i safety monitoring devices. Although the operation of these devices are the same, it is important to note that only the Loner M6i is intrinsically safe. The Loner M6 is not certified for use in hazardous locations.

To verify which safety product you have, refer to the Loner M6 or Loner M6i logo, located on the front of your or device.



Intrinsically Safe Loner M6i

Intrinsically Safe

This device is certified Intrinsically Safe for use in Class I Division 1 AEx ia Group IIC T4 and Class I Zone 1 Ex ib Group IIC T4 hazardous (classified) locations.

Sécurité intrinsèque

Cet appareil est certifié à sécurité intrinsèque pour l'usage en classe I division 1 AEx ia groupe IIC T4 et classe I zone 1 Ex ib groupe IIC T4 dans les lieux classés comme dangereux.

Specifications:

UL 60079

CI I Div 1 Gr A-D

CI I Zn 0 AEx ia IIC T4

CAN/CSA C22.2 No. 60079

Ex ia IIC T4 Ga

EN 60079

Ex ib IIC T4 Gb

IEC 60079

Ex ib IIC T4 Gb

-20°C ≤ Ta ≤ +55°C

Um = 250V

Ambient Pollution Degree 2

Overvoltage Category 1

Standards

UL 60079-0 : 2013

UL 60079-11 : 2013

CAN/CSA C22.2 No. 60079-0 : 2015

CAN/CSA C22.2 No. 60079-11 : 2014

EN 60079-0 : 2012

EN 60079-11: 2012

IEC 60079-0 : 2011

IEC 60079-1 : 2011

UL 60950-1 : 2007

CSA C22.2 No. 60950-1 : 2007

EN 60950-1 : 2006+A2:2013

IEC 60950-1 : 2007

Use only 102052 to charge M6i.

WARNING: Charge only in a nonhazardous location.

AVERTISSEMENT: Chargez uniquement dans un endroit non dangereux.

This instrument is designed to function without user maintenance.

Opening instrument will invalidate intrinsic safety certification.

Consult with your organization's safety professional for further information regarding the topic of intrinsic safety and any policies, procedures, facilities, or locations within facilities that may be related to intrinsic safety.

S'il vous plaît consulter professionnel de la sécurité de votre organisation pour de plus amples informations concernant le sujet de la sécurité intrinsèque et les politiques, les procédures, les installations, ou emplacements au sein des établissements qui peuvent être liés à la sécurité intrinsèque.

blacklinesafety
Loner M6i NA
Read and understand manual
Lire et comprendre le manuel
Warning: Charge only in non-hazardous area.
Avertissement: ne pas charger dans emplacement dangereux

Contains
FCC ID: XPYSARAU260
IC: 8595A-SARAU260
CI I Div. 1 Gr A-D
Ex ia IIC T4 Ga
-20°C ≤ Ta ≤ +55°C
5VDC, 650mA

Made in Canada

Unit ID
1234567890
Activation code
87654321


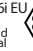







blacklinesafety
Made in Calgary Canada
1215 13st SE, T2G 3J4
Loner M6i EU II 2G
Read and understand the manual

Ex ib IIC T4 Gb
IECEx EMT 16.0024X
EMT16ATEX0044X
-20°C ≤ Ta ≤ +55°C
Charge input: 5VDC, 650mA
Warning: Charge only in non-hazardous area

Unit ID Y2016
1234567890
Activation code
87654321

blacklinesafety
IECEx EMT 16.0025X
EMT16ATEX0045X
Model 102052
II(2)G[Ex ib] CE0518





Warning

When in a hospital or other health care facility, observe the restrictions on the use of mobile devices, such as cellular phones. Do not operate Blackline Safety products where you are not able to operate your mobile/cellular phone.

Road safety comes first. Do not operate a Blackline Safety product while you are driving a vehicle. Park your vehicle before operating a Blackline Safety product.

Do not operate or store Blackline products outside their specified operating temperature, storage temperature, or humidity rating. Consult the specifications section for more information.

Blackline products may contain an internal lithium-ion battery pack. Seek advice from your local electronics recycling authority regarding the disposal of your device. Do not dispose Blackline products in your household trash.

Blackline Safety Network and Service Plans

Blackline Safety Network

The Blackline Safety Network refers to the infrastructure used to monitor worker safety. This includes the entire system of communication between devices and the Blackline Live™ portal web application.

Service Plans

Each Loner M6 and Loner M6i requires an active service plan in order to connect to the Blackline Safety Network. Various service plan options are available.

Service plan	Description
Gold plan with voice	24/7 live monitoring by Blackline's safety operations centre with the ability to directly call the device
Gold plan	24/7 live monitoring by Blackline's safety operations centre
Silver plan with voice	Self monitoring by the customer with the ability to directly call the device
Silver	Self monitoring by the customer

Device Activation

To acquire a service plan and activate your Loner M6 or Loner M6i device, contact the Blackline customer care team.

North America (Between the hours of 8am-5pm Mountain Time)

Toll-free: 1-877-869-7212 | support@blacklinesafety.com

United Kingdom (Between the hours of 8am-5pm Greenwich Mean Time)

+44 1787 222684 | eusupport@blacklinesafety.com

International (Between the hours of 8am-5pm Mountain Time)

+1 403 451 0327 | support@blacklinesafety.com

Website

support.blacklinesafety.com

Overview

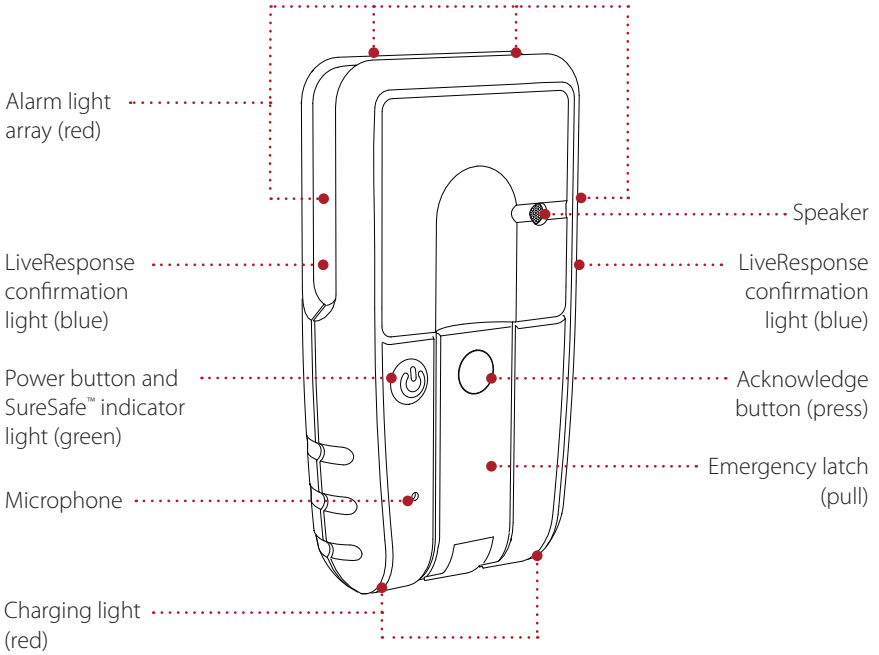
Contents

- Loner M6 or Loner M6i with metal belt clip
- Micro USB charging adapter
- Charging cable
- Wall charger
- User guide

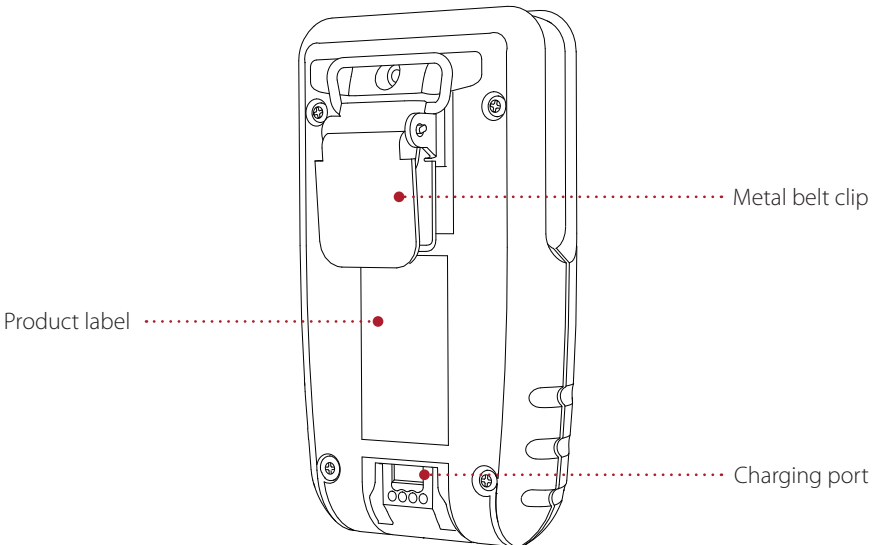
Hardware Details

Physical feature	Functionality
Power button and SureSafe™ indicator light	Turns on the device and indicates monitoring status to the Blackline Safety Network (green light)
Acknowledge button (press)	Used to check-in and silence the device during an automatic alert
Alarm light array	Indicates the device is in an alarm state (4 red lights)
LiveResponse™ confirmation light	Indicates that an alert generated from the device is being remotely managed by monitoring personnel (2 blue lights)
Emergency latch (pull)	Sends an emergency alert to monitoring personnel
Charging light	Indicates the charging state (2 red lights)
Product label	Provides device information, unit ID and activation code
Metal belt clip	Attaches the device to a belt
Charging port	Charges the device
Removable micro USB charging adapter	Adapts micro USB cable to charging port to charge device
Microphone	Allows you to speak to monitoring personnel
Speaker	Allows you to hear monitoring personnel, and device alarms

Front




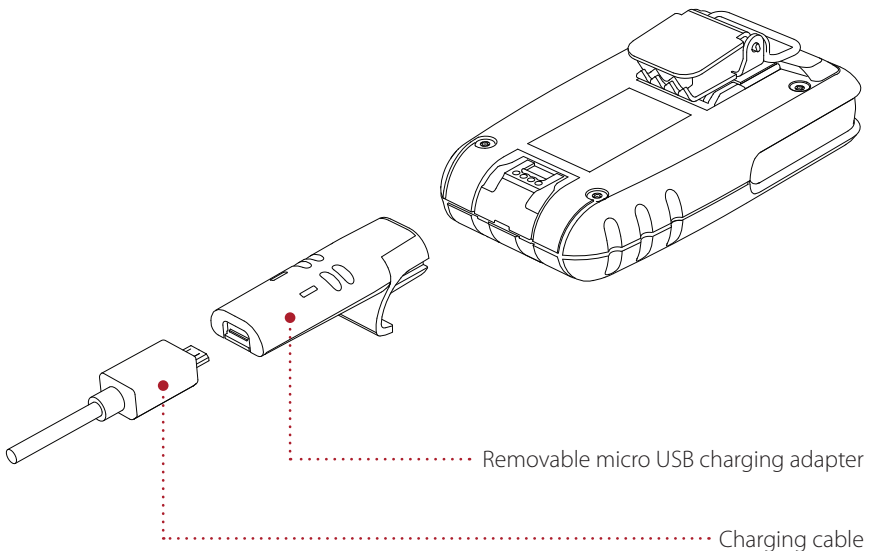
Back



Using the device

Charging

1. Plug the wall charger into an electrical outlet
2. Insert the micro USB cable plug  into the corresponding removable micro USB charging adapter and insert the USB plug into wall charger
3. Slide the removable micro USB charging clip, using the guides to align the clip with the charging port, onto the device
4. A flashing red charging light will indicate the device is charging, and can take up to six hours to completely charge. The flashing red charging light will become a solid red light when the device is fully charged.
5. Remove the charging clip from the device



Charging Status

While charging, you can determine the charging progress by observing the charging light located at the base of the device.

Red charging light behaviour	Description
Light flashing	Charging
Light on	Fully charged
Light off	Not charging

Charging will turn the device off, ensuring it will not trigger alerts while in the charging process.

Blackline recommends charging the device after each shift to ensure the device is fully charged for the next shift.

Turning On

When safety monitoring is required, perform the following to ensure you are being protected with the device.

1. Press the power button to turn on
2. A single alarm will sound, the alarm light array will flash, and the vibration motor will vibrate once. The power button and SureSafe indicator light (green) will continue to flash while establishing a network connection.
3. Wait for the device to establish a connection to Blackline Safety Network. Establishing this connection typically takes approximately one minute, but may be longer in some situations. The SureSafe indicator light will remain on continuously once connected.

The device needs to have sufficient battery power to connect to the Blackline Safety Network.

If the device fails to connect to Blackline's servers the green SureSafe light will flash and, if enabled, the device will enter a no-communication alarm state. See the local alarms section for more details.

Turning Off

When you no longer require the device to monitor your safety, follow these steps to turn off:

1. Press and hold the power button (approximately three seconds until the device stops beeping) to power off
2. The alarm will sound three long beeps while the power button is pressed. The vibration motor vibrates for three long pulses. The alarm, vibration motor and power button and SureSafe indicator light will turn off after the shutdown is complete.

If the device is plugged in to charge, it will automatically turn off to avoid false alerts.

SureSafe Indicator Light

The SureSafe indicator light lets you know when the device is powered on and is connected to the Blackline Safety Network.

SureSafe indicator light behaviour (green)	Description
Light flashing	Powered and connecting to Blackline's Safety Network via the wireless network, or the device is logging off the server
Light on continuously	Powered and connected to Blackline's Safety Network via the wireless network
Light off	Powered off or the battery is depleted

Local Alarms

The device features audible, tactile and visual alarms when it requires your attention. Please see below for the patterns that represent the different types of messages.

Type	Beeper	Vibration motor	Visual indicator
Pending alarm	Slow alarm pattern	Single repeating vibrate	Alarm light array slow flash (red)
High alarm	Fast alarm pattern	Double repeating vibrate	Alarm light array fast flash (red)
Low battery	Single beep once every 5 minutes	No vibration	Charge light, single flash once every 5 minutes

Alerts & Notifications

An alert is a message that communicates a potential safety incident, such as an emergency alert. Alerts require management by monitoring personnel through the Blackline Live portal web application.

All alerts and notifications are configurable within the Blackline Live portal. Contact your organization's safety professional to learn what features have been implemented for your device.

Alert	Explanation
Emergency alert	The device sends an emergency alert if the emergency latch has been pulled
Silent alert	If configured, the device sends a silent emergency alarm if the acknowledge button is pressed until the second vibration stops (about 3 seconds)
Fall impact detected alert	The device sends a fall detected alert when the device has detected a fall and the acknowledge button has not been pressed within the configured amount of time
No-motion alert	The device sends a no-motion alert when the device does not detect motion and the acknowledge button has not been pressed within the configured amount of time
Missed check-in alert	The device sends a missed check-in alert when you have been prompted to check in and the acknowledge button has not been pressed within the configured amount of time
Voice call alert	Initiated when the device receives an incoming call from monitoring personnel. The device will go into high alarm, accompanied by the LiveResponse confirmation light (blue). The alarm will stop once the call has been received. The LiveResponse confirmation light will remain on until the alert has been resolved by monitoring personnel.

LiveResponse Confirmation Light

The device will activate the LiveResponse confirmation light (blue) on the left and right sides of the alarm light array when monitoring personnel have acknowledged an alert sent by the device. Once monitoring personnel have resolved the alert, the LiveResponse confirmation light will shut off. If an alert is generated while the LiveResponse confirmation light is on, the LiveResponse confirmation light will not turn off until the new alert has been acknowledged.

Emergency Latch

Triggering an emergency alert

1. Pull the emergency latch. The device will instantly send an emergency message to Blackline Safety Network and monitoring personnel.
2. The device will annunciate the high alarm pattern to notify others nearby of the event.

This alert may be optionally disabled. Contact your organization's safety professional regarding the configuration of your device.

The alarm pattern on the device will continue until the emergency alert has been silenced or the battery is depleted.

Silencing an emergency alert

1. Return the emergency latch to the closed position
2. Press and hold the acknowledge button until the alarm pattern is silenced - approximately 3 seconds. The device will return to regular operation.

If the user silences an emergency alert, this does not cancel the alert within the Blackline Live portal. Monitoring personnel are required to manage the safety alert through to the resolution.

Silent Emergency Alert

If configured and you are in an emergency situation where you would prefer to not alert others in the area, a silent emergency may be initiated.

Triggering a silent emergency alert

1. Push and hold the acknowledge button until the vibration stops - two full pulses, the device will vibrate for 3 seconds, pause and then vibrate for 2 more seconds
2. The device will remain silent and not announce an alarm pattern. The device will return to normal operation.

Silent emergency alert can only be active if early check-in is disabled.

You cannot cancel the silent emergency alert. Monitoring personnel are required to manage the safety alert through to the resolution.

Fall Detection

The device is constantly monitoring your motion for falls. If the device detects a fall impact, it will enter the pending alarm mode and announce the low alarm pattern to indicate a pending fall detected alert. If you do not require assistance, you have at least 30 seconds to cancel the alert by pressing the acknowledge button.

The time window and sensitivity of fall detection are configurable in the Blackline Live portal, and may or may not be enabled. Contact your organization's safety professional regarding the configuration of your device.

Canceling a pending fall detected alert

1. The device will start a pending alarm
2. Press the acknowledge button until the alarm pattern is silenced - approximately 1 second. The device will return to regular operation.

Silencing a fall detected alert

If you have not cancelled the alert within 30 seconds, the fall detected alert is communicated to monitoring personnel, initiating the alert escalation process. The device will announce the high alarm pattern and will continue until the alert is cancelled or the battery is depleted.

1. The device will go into high alarm
2. Press and hold the acknowledge button until the alarm pattern is silenced - approximately 3 seconds. The device will return to regular operation.

If the user silences a fall detected alert, this does not cancel the alert within the Blackline Live portal. Monitoring personnel are required to manage the safety alert through to the resolution.

No Motion Detection

The device is constantly monitoring your motion to detect a possible person down incident. If the device has not detected motion within the configured amount of time, it will prompt you to acknowledge your safety, entering the alarm mode and annunciating the low alarm pattern. If you do not require assistance, you have at least 30 seconds to cancel the alert by pressing the acknowledge button.

The time window and sensitivity of no-motion detection are configurable in the Blackline Live portal, and may or may not be enabled. Contact your organization's safety professional regarding the configuration of your device.

Cancelling a pending no-motion alert

1. The device will start a pending alarm
2. Press the acknowledge button until the alarm pattern is silenced - approximately 1 second. The device will return to regular operation.

Silencing a no-motion alert

If you have not cancelled the alert within 30 seconds, the no-motion alert is communicated to monitoring personnel, initiating the alert escalation process. The device will annunciate the high alarm pattern and will continue until the alert is cancelled or the battery is depleted.

1. The device will go into high alarm
2. Press and hold the acknowledge button until the alarm pattern is silenced - approximately 3 seconds. The device will return to regular operation.

If the user silences a no-motion alert, this does not cancel the alert within the Blackline Live portal. Monitoring personnel are required to manage the safety alert through to the resolution.

Checking In

The device can be configured to request a periodic check-in, and a countdown timer will keep track of the check-in schedule. When the timer reaches zero, it will trigger the device to initiate a pending alarm, reminding you to check in. The pending alarm will continue for the length of the reminder until the acknowledge button is pressed. If the acknowledge button is not pressed, the device will go into high alarm and a missed check-in alert will be sent to monitoring personnel.

The amount of time between a check-in is configured within the Blackline Live portal. Contact your organization's safety professional regarding the configuration of your device.

Check-in reminder

1. The device will start a pending alarm, reminding you to check in
2. Press the acknowledge button for 1 second. The alarm pattern will stop and your check-in will be sent.

Early check in

The device can be configured to check in early. If enabled, the acknowledge button can be pressed at any time to send a check-in and reset the check-in timer.

1. Press and hold the acknowledge button
2. The device will vibrate. Continue holding for approximately 3 seconds until the vibration stops.

Early check-in can only be active if silent emergency alert is disabled.

Silencing a missed check-in

After a missed check-in, the device will announce the high alarm pattern and will continue until the alert is silenced or the battery is depleted.

1. The device will go into high alarm
2. Press and hold the acknowledge button until the alarm pattern is silenced – approximately 3 seconds. The device will return to regular operation.

If the user silences a missed check-in alert, this does not cancel the alert within the Blackline Live portal. Monitoring personnel are required to manage the safety alert through to the resolution.

Voice Call Functionality

If enabled with a voice service plan, the device has the capability to receive calls from monitoring personnel to provide assistance during the management of an alert.

Receiving a voice call

1. When a voice call has been initiated, the device will annunciate the high alarm pattern accompanied by a flashing LiveResponse confirmation light (blue)
2. To silence the high alarm, press and hold the acknowledge button until the alarm pattern is silenced - approximately 3 seconds. The LiveResponse confirmation light will continue to flash, signifying that an incoming call has been initiated.
3. Once the call has been connected, the device will generate a long beep signifying the beginning of two-way voice calling
4. In a noisy environment it may be necessary to remove and hold the device near your face, as you would a two-way radio.
5. Once the call is complete, the caller will end the call by resolving the alert. The device will generate a long beep signifying the end of the call. The device user cannot end the call from the device. The LiveResponse confirmation light on the device will go off once the call has ended.

During a two-way voice call, the volume can be switched between the high and low levels by pressing the acknowledge button on the latch once.

Low Battery Notification

If the battery level on the device drops below 20% capacity, the device will flash the charging light and beep once every 5 minutes. Once the device battery is depleted it will automatically shut down.

This is considered an unsafe log off. If the device is configured to require a periodic check-in, a low battery shutdown will not stop the timer and a missed check-in alert will be generated.

Contact your organization's safety professional to learn what features have been configured for your device.

Device Care

Consideration Regarding Use and Storage

Loner M6 and Loner M6i meets IP65 ingress protection ensuring that under normal operation no dirt or water can enter the device.

Storage temperature range: -30 to 75°C (-22 to 167°F)

Operating temperature: -20 to 55°C (-4 to 131°F)

Charging temperature: 0°C to 45°C (32°F to 113°F)

More details can be found in the specifications section.

Customer Care

Technical Support for Loner M6 and Loner M6i

North America (Between the hours of 8am-5pm Mountain Time)

Toll-free: 1-877-869-7212 | support@blacklinesafety.com

United Kingdom (Between the hours of 8am-5pm Greenwich Mean Time)

+44 1787 222684 | eusupport@blacklinesafety.com

International (Between the hours of 8am-5pm Mountain Time)

+1 403 451 0327 | support@blacklinesafety.com

Website

support.blacklinesafety.com

Wireless coverage

Loner M6 and Loner M6i provides wireless coverage within most populated areas of Canada and the United States and can be extended to over 150 countries. Contact Blackline Safety for more information.

Specifications

Specifications for Loner M6 and Loner M6i

Size & Weight

Size: 63 mm x 107 mm x 22 mm (2.48" x 4.213" x 0.87")

Weight: 137 g (4.8 oz)

Safety Monitoring Features

Fall detection technology: Tri-axis accelerometer, tri-axis gyro, software processing

Emergency latch: Pull latch to trigger alert

Silent emergency: Press & hold check-in button to trigger alert

Worker motion monitoring: Configurable time window (1–30 min, or off)

Worker check-in: Required check-in period (5–180 min, or off)

Voice calling: Two-way and one-way (listen-only) phone calling (requires a voice-enabled service plan)

Buttons & Indicator Lights

Power button: Power on/off

Acknowledge button: Check-in/silent emergency

Emergency latch: Send emergency alert

Red alarm light array plus vibration and beeper: Safety alert triggered

Blue LiveResponse confirmation light array plus vibration and beeper: Incoming voice call

Blue LiveResponse confirmation light: Alert has been acknowledged in the portal

Green SureSafe indicator light: Blinking (powered), continuous (connected)

User Notification

Indicators: Speaker, LEDs, and vibration motor

Speaker sound pressure level: ~90 dB @ 10 cm (~90 dB @3.94")

Voice calling: Speakerphone and phone modes

Wireless Communication

Radio: Dual-band 3G (1900, 850 MHz)

Antenna: Internal dual-band

Bidirectional communication: Yes

Firmware upgrade over-the-air (FOTA): Yes

Location Technology

GPS radio: 48-channel high sensitivity, mobile assisted

Remotely-assisted GPS: Yes

GPS accuracy: ~5 m (16 ft) Outdoors

GPS real-time location turnaround time: ~20 seconds

Loner Beacon compatible: Yes

Alert Messages

Fall detected, emergency latch, silent emergency, no-motion, missed check-in, voice call alert, low battery, power off

Power & Battery

Rechargeable Li-ion battery: 1200 mAh Li-ion

Battery life: 20 hours continuous operation at 20° C (68° F)

Charging connector: 4-pin sealed connection

Environmental

Storage temperature: -30°C to 75°C (-22°F to 167°F)

Operating temperature: -20°C to 55°C (-4°F to 131°F)

Charging temperature: 0°C to 45°C (32°F to 113°F)

Ingress protection: Designed to meet IP65

Approvals

FCC part 15 subpart B, FCC ID: XPYSARAU260, Industry Canada 8595A-SARAU260, designed to meet BS 8484

Device Requirements

Blackline Safety service plan, 3G wireless communication coverage, GPS signal coverage required for GPS locating, Loner Beacon signals for precise indoor positioning

Warranty

One-year limited factory warranty

Wireless coverage and service plans

Wireless coverage: Over 150 countries

Service plan options: Silver (for self-monitoring) and Gold (24/7/365 live monitoring included), with and

without voice calling, contact Blackline for further details

Loner Portal Web Application

Features include: Alarm banner, initiate voice call, event history, device location mapping, device management, alert & notification settings, and more

blacklinesafety

Alert. Locate. Respond.

www.blacklinesafety.com