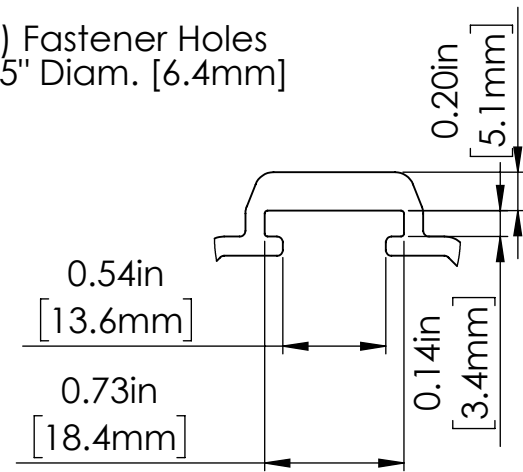
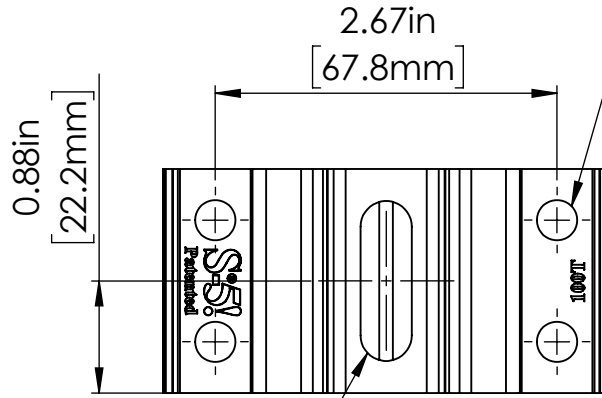
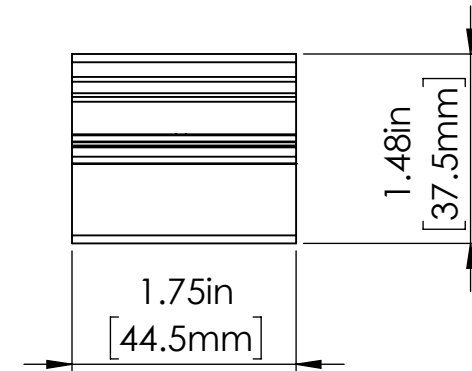
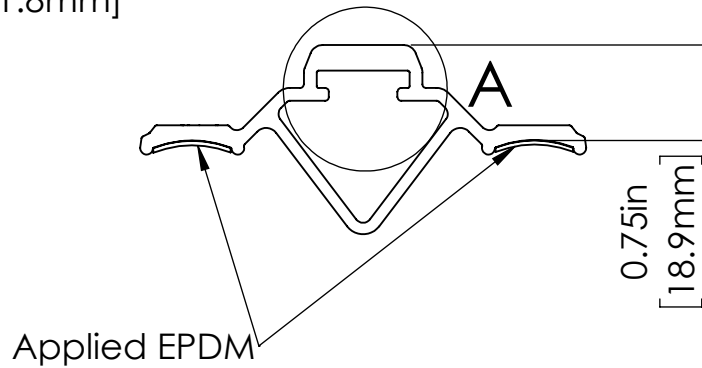


0.40" x 1.25" Slotted Hole
[10.2mm x 31.8mm]



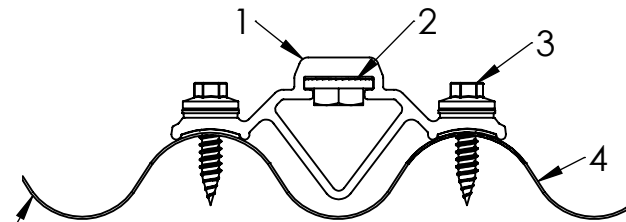
DETAIL A
Scale 1:1




General Notes:

1. CorruBracket 100T
2. M8 Hex Flange Nut
3. 1" Self Tapping Screw
4. Metal Roof Example

Corrugation Height
3/4" to 7/8"



FOR STANDING SEAM SPECIFIC MECHANICAL LOAD TEST INFORMATION AND CLAMP INSTALLATION INFORMATION PLEASE VISIT: WWW.S-5.COM

MATERIAL: 6000 Series AL			METAL ROOF INNOVATIONS, LTD. 8655 TABLE BUTTE RD COLORADO SPRINGS, CO 80908 719-495-0518 719-495-0045(FAX)	
EST ASSEMBLY WEIGHT .16 lbs			TITLE CorruBracket 100T [CCD]	
SUPPLIED HARDWARE: M8 Hex Flange Nut (4x) 1" Self-Tapping Screws	DRAWING NO. USCBTF46-A-0-D		DRAWN BY JW	DATE 10/13/2020
SCALE: 2:3	<small>S-5!® PRODUCTS ARE PROTECTED BY MULTIPLE U.S. PATENTS INCLUDING 5,228,248, 5,983,588 AND 6,164,033 (OTHERS ISSUED AND PENDING). EUROPEAN PATENTS ARE ALSO APPLIED FOR AND PENDING UNDER THE PATENT COOPERATION TREATY WITH DIVISIONAL FILING RIGHTS RETAINED. METAL ROOF INNOVATIONS, LTD. (LICENSOR OF S-5!® TECHNOLOGY) AGGRESSIVELY PROSECUTES PATENT INFRINGEMENT.</small>			