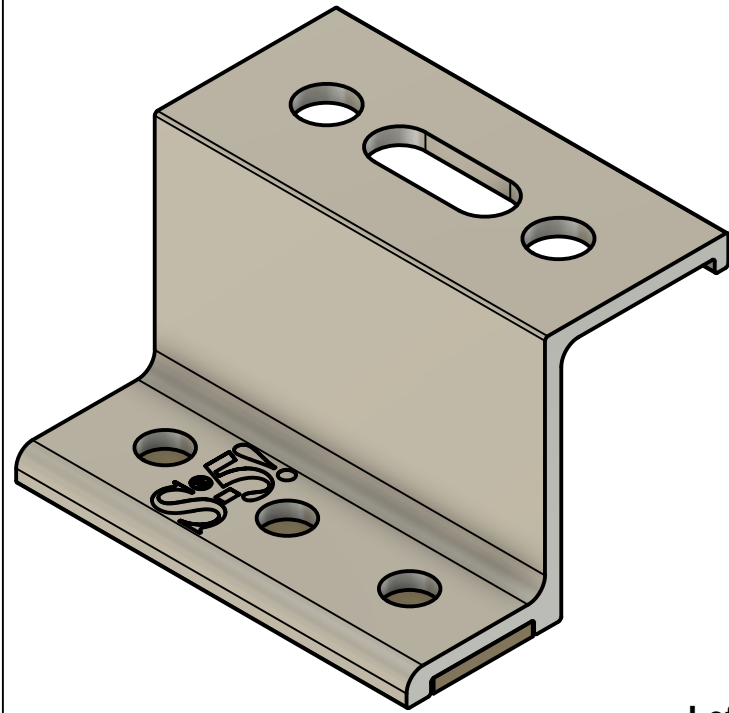
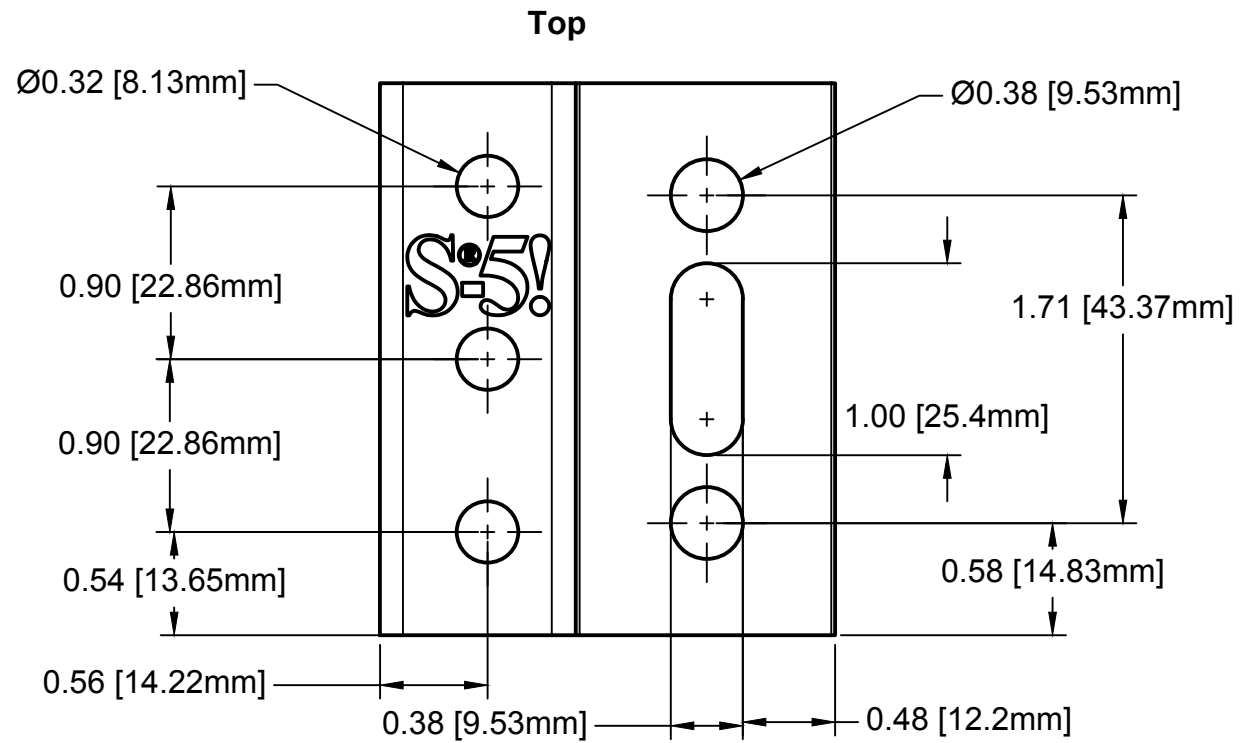
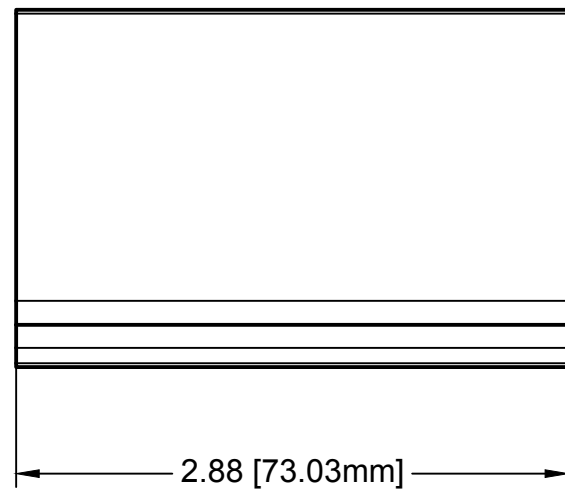


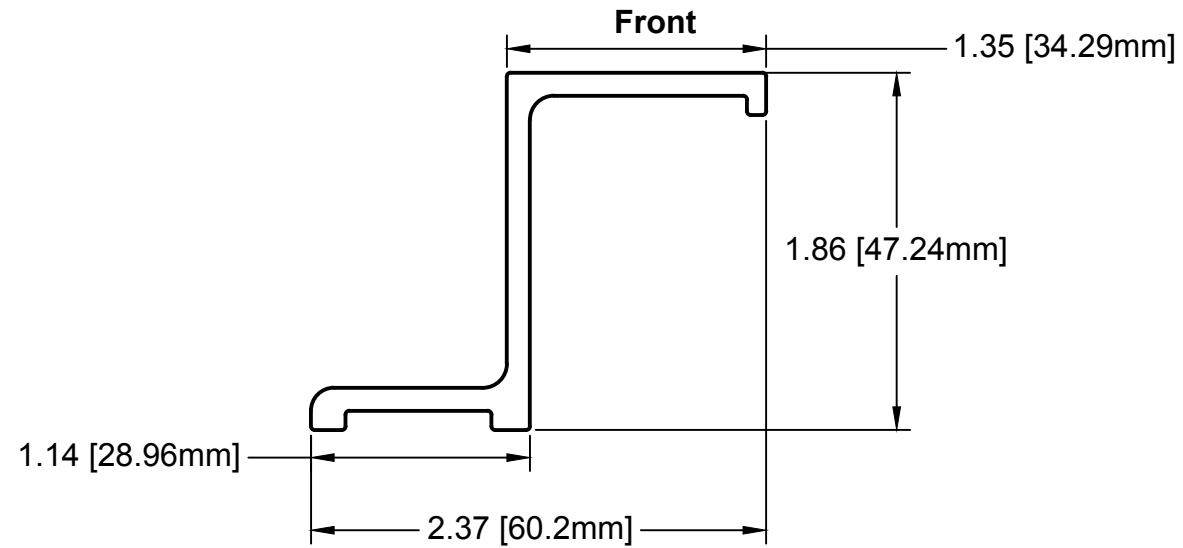
VersaBracket 47



Left

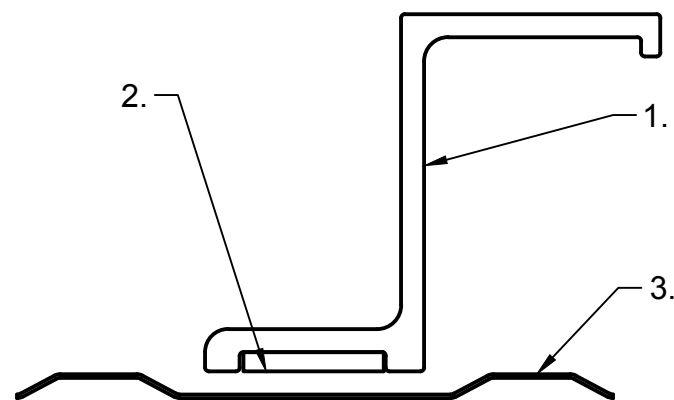



Front



General Notes:

1. VersBracket 47
2. Butyl Sealant
3. Example roof



MATERIAL: 6000 Series AL			METAL ROOF INNOVATIONS, LTD.	
EST ASSEMBLY WT: 0.16 lbs			12730 Black Forest Road COLORADO SPRINGS, CO 80908 719-495-0518 719-495-0045 (FAX)	
HARDWARE: None	TITLE VersaBracket 47 [CCD]			
	DRAWING NO. VB47-29-B-0-A	DRAWN BY SB	DATE 01/22/2025	
	SCALE 1:1	FILE NAME VB47-29-B-0-A (VersaBracket 47) [CCD]		
S-5!® PRODUCTS ARE PROTECTED BY MULTIPLE U.S. AND FOREIGN PATENTS. VISIT OUR WEBSITE AT WWW.S-5.COM FOR COMPLETE INFORMATION ON PATENTS AND TRADEMARKS				