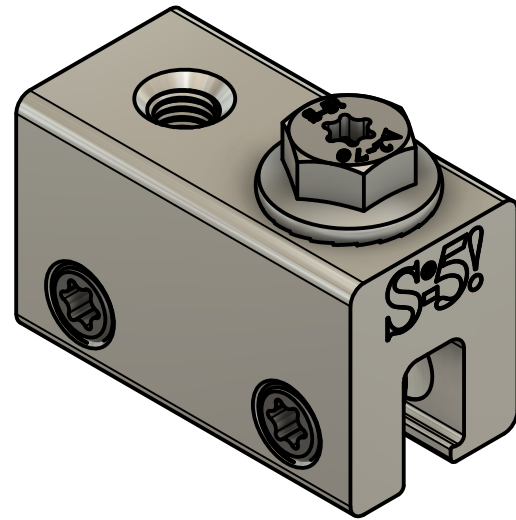
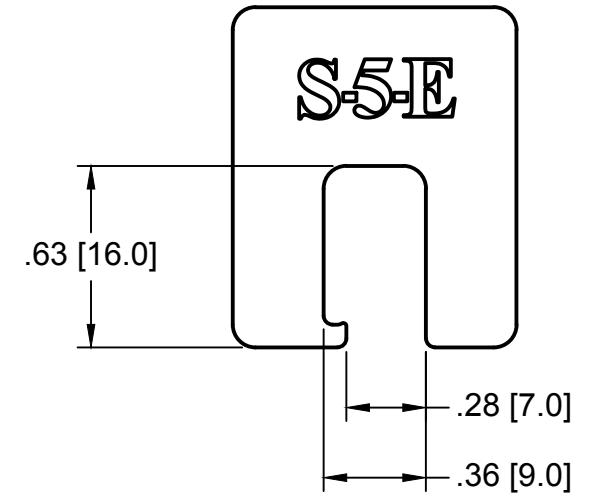
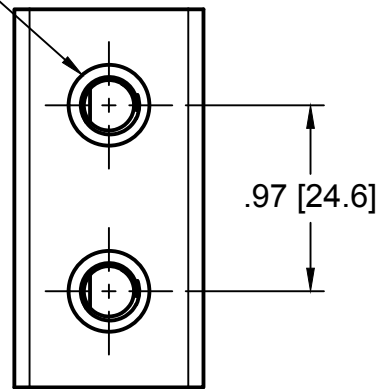


S-5-E

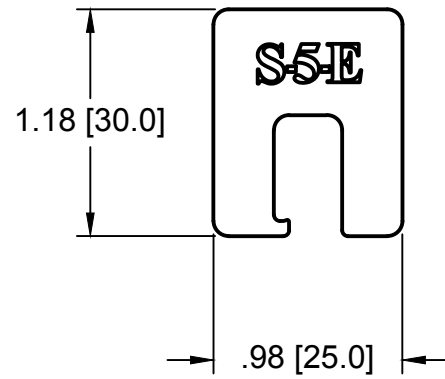


(2x) M8-1.25 Threaded Hole

Top

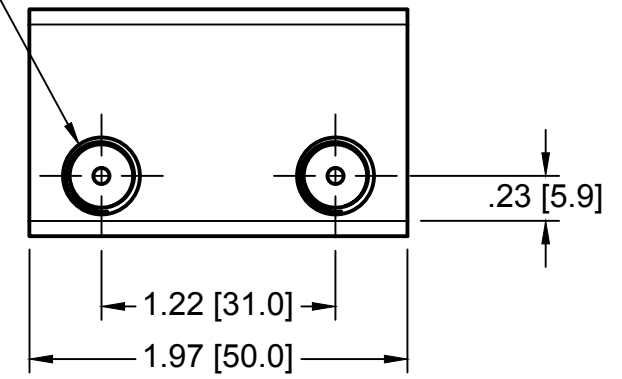


Front



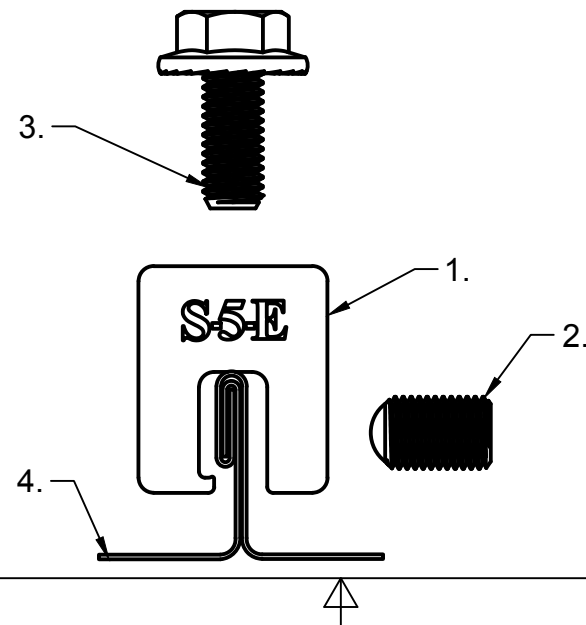
Right

(2x) 3/8-24 Threaded Hole



General Notes:

1. S-5-E
2. 0.625" 3/8-24 T30 Drive SetScrew
3. M8-1.25 X 17mm (13mm/T30 Torx Drive)
4. Example Roof



MATERIAL: 6000 Series AL		METAL ROOF INNOVATIONS, LTD.	
EST ASSEMBLY WT: 0.207 lbs		8750 WALKER RD COLORADO SPRINGS, CO 80908 719-495-0518 719-495-0045 (FAX)	
HARDWARE: <small>(C) 2022 S-5! All Rights Reserved. M8-1.25 Torx Drive Bit</small>	TITLE S-5-E [CCD]	DRAWING NO. E03-B-18-D	DATE 3/7/2022
	SCALE 1:1	FILE NAME E03-B-18-D (S-5-E) [CCD]	
S-5!® PRODUCTS ARE PROTECTED BY MULTIPLE U.S. AND FOREIGN PATENTS. VISIT OUR WEBSITE AT WWW.S-5.COM FOR COMPLETE INFORMATION ON PATENTS AND TRADEMARKS			