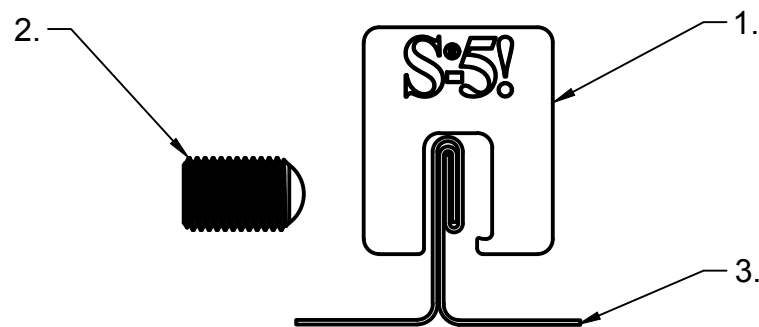
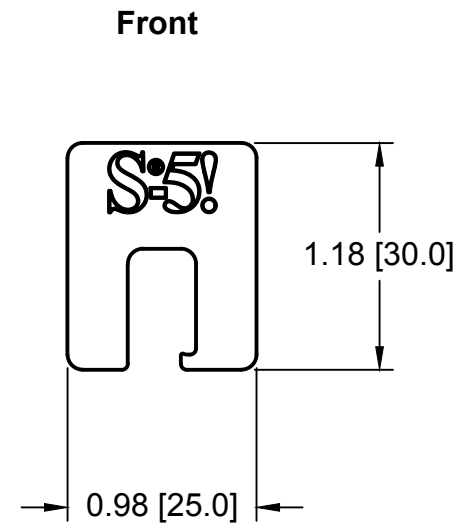
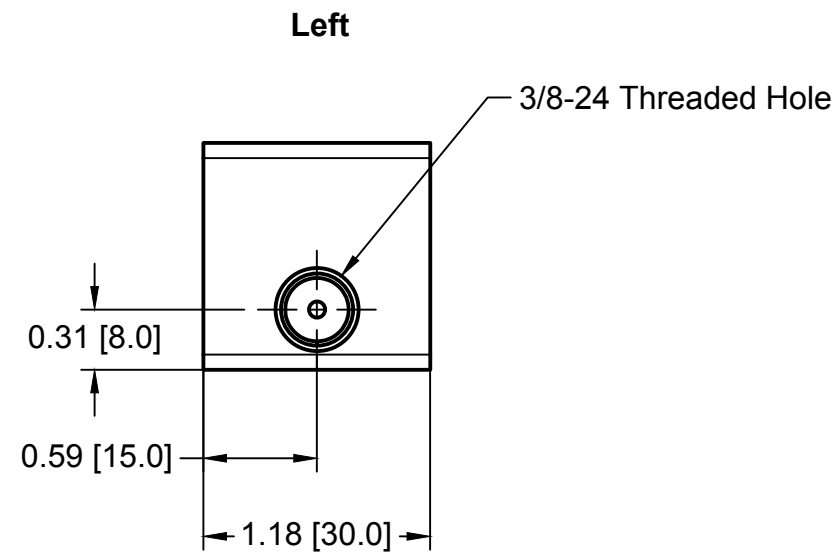
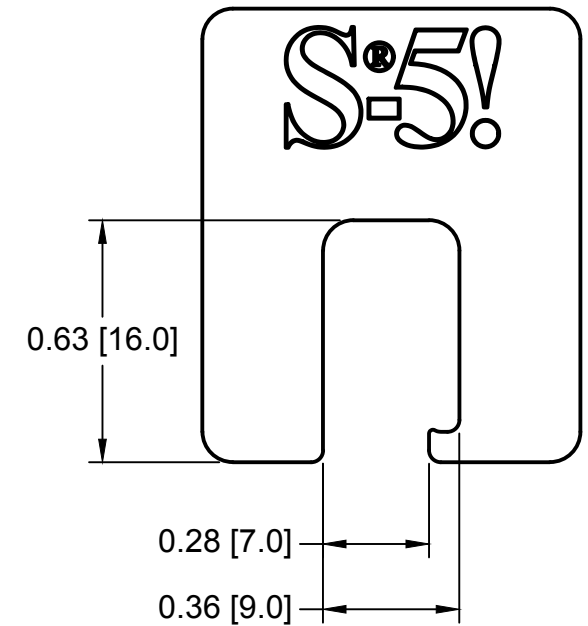
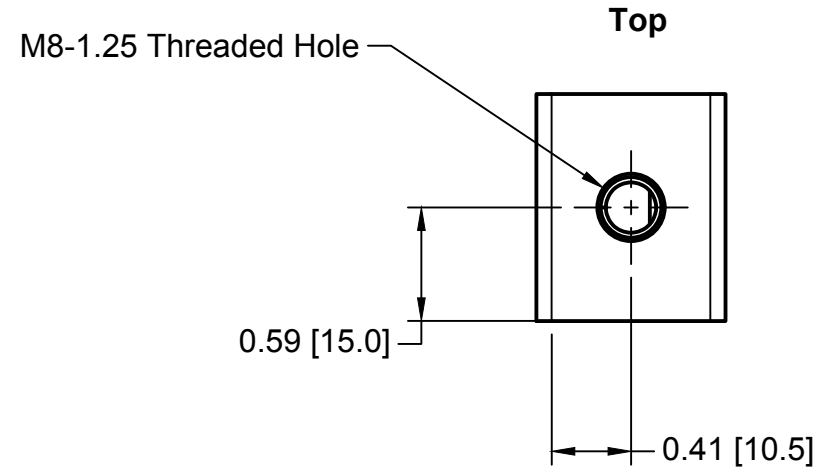
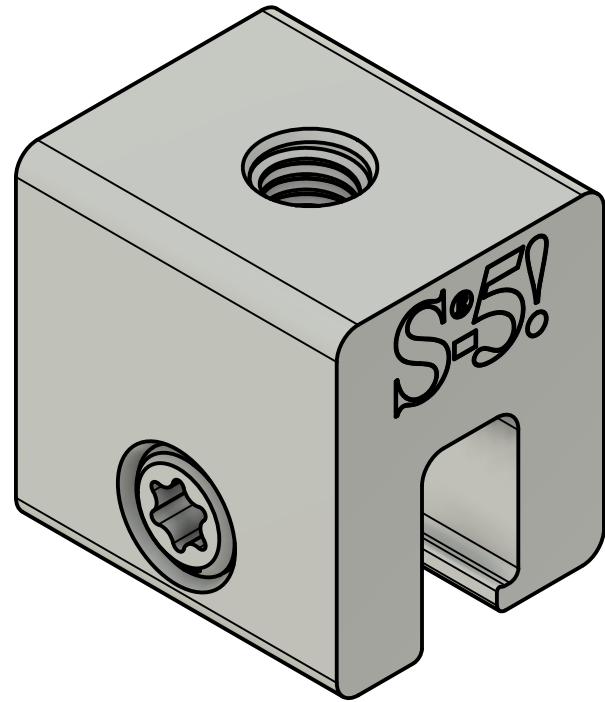


S-5-E Mini



General Notes:

1. S-5-E Mini Clamp
2. 0.625" 3/8-24 T30 Drive SetScrew
3. Example roof

MATERIAL: 6000 Series AL		METAL ROOF INNOVATIONS, LTD. 8750 WALKER RD COLORADO SPRINGS, CO 80908 719-495-0518 719-495-0045 (FAX)	
EST ASSEMBLY WT: 0.116 lbs			
HARDWARE: 0.625" 3/8 T30 Drive SetScrew	TITLE S-5-E MINI		
	DRAWING NO. E03-B-25-B	DRAWN BY SNLR	DATE 2/25/2022
	SCALE 1:1	FILE NAME E03-B-25-B (S-5-E MINI) [CCD]	
S-5!® PRODUCTS ARE PROTECTED BY MULTIPLE U.S. AND FOREIGN PATENTS. VISIT OUR WEBSITE AT WWW.S-5.COM FOR COMPLETE INFORMATION ON PATENTS AND TRADEMARKS			