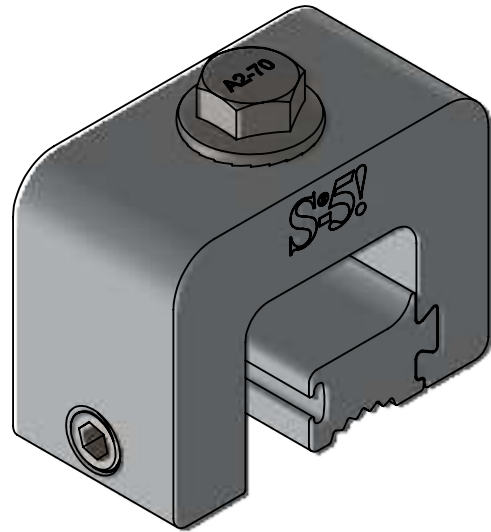
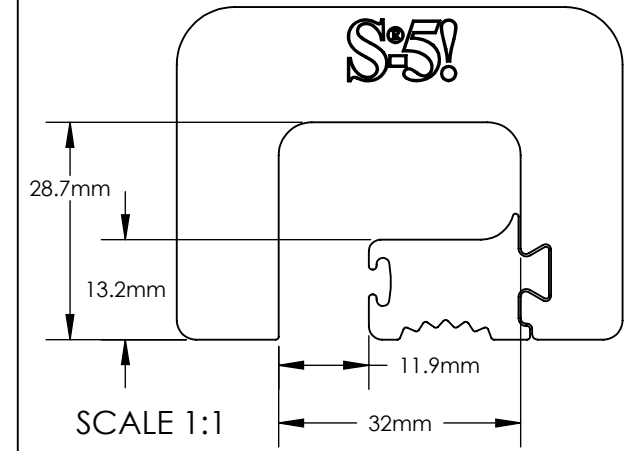
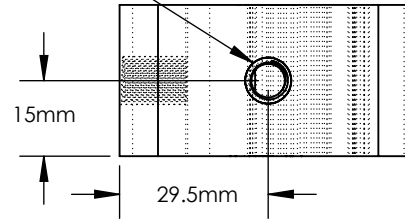


S-5-H Mini

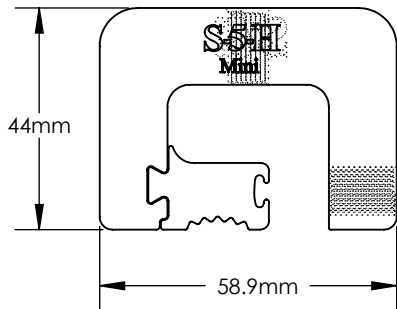


M8-1.25 Threaded Hole

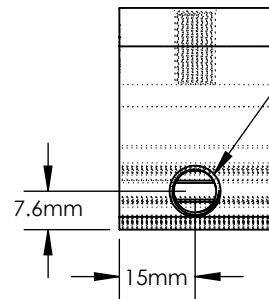
Top



Back

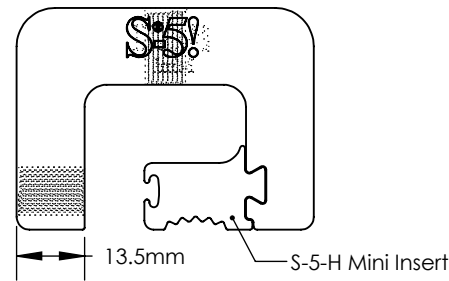


Left

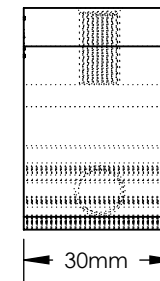


3/8-24 Threaded Hole

Front

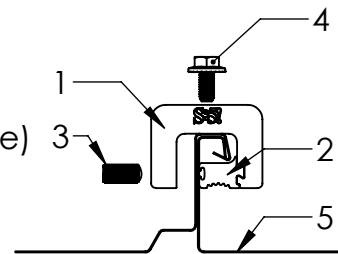


Right



General Notes:

1. S-5-H Mini Clamp
2. S-5-H Mini Insert
3. 3/8-24 Stainless Steel Round Point Setscrew (3/16 Hex Drive)
4. M8-1.25 Stainless Steel Hex Flange Bolt (13mm Socket)
5. Example roof



FOR STANDING SEAM SPECIFIC MECHANICAL LOAD TEST INFORMATION AND CLAMP INSTALLATION INFORMATION PLEASE VISIT: WWW.S-5.COM

MATERIAL: 6061 T6 Al			METAL ROOF INNOVATIONS, LTD. 8655 TABLE BUTTE RD COLORADO SPRINGS, CO 80908 719-495-0518 719-495-0045(FAX)	
EST ASSEMBLY WEIGHT: 169.19 g				
SUPPLIED HARDWARE: M8-1.25 x 16 mm Bolt 3/8-24 x .800" Setscrew	TITLE S-5-H Mini			
SCALE: 1:1.5	DRAWING NO. H26-A-1-C	DRAWN BY Kati Kadakas	DATE 7/7/2016	
EST. WEIGHT: Clamp: 124.96 g Insert: 20.87 g Setscrew: 7.71 g Bolt: 15.65 g	<p>S-5!® PRODUCTS ARE PROTECTED BY MULTIPLE U.S. AND FOREIGN PATENTS. VISIT OUR WEBSITE AT WWW.S-5.COM FOR COMPLETE INFORMATION ON PATENTS AND TRADEMARKS.</p>			