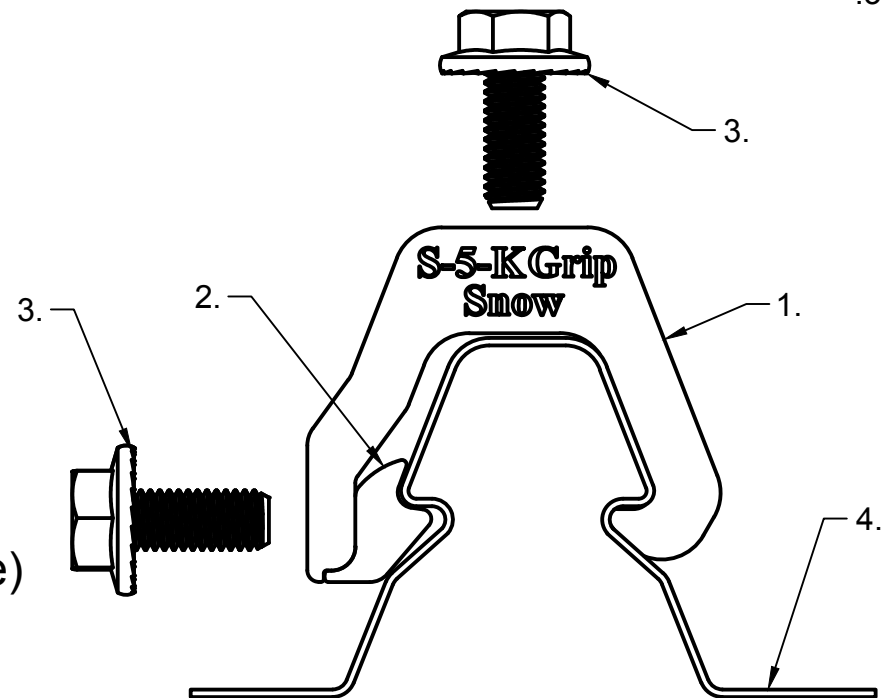
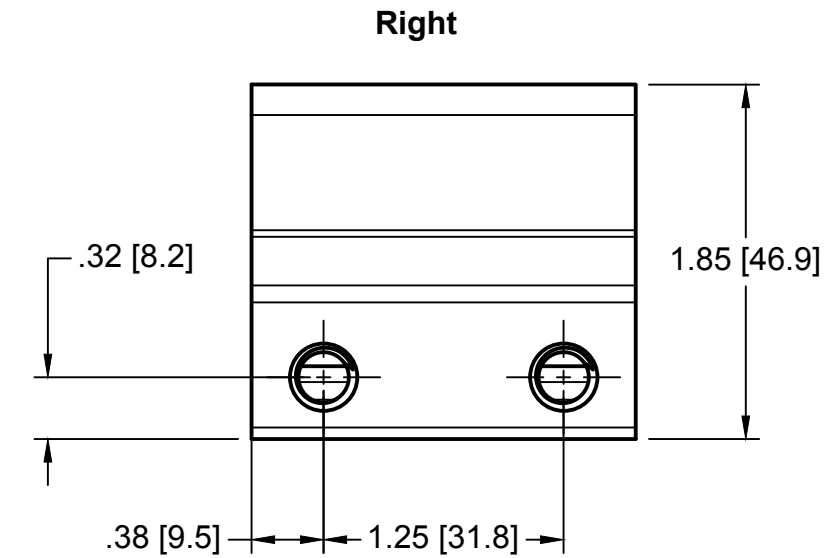
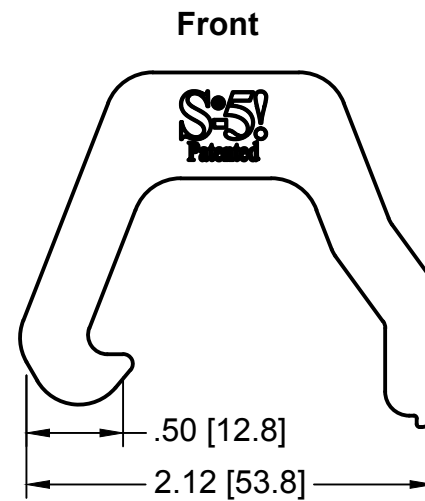
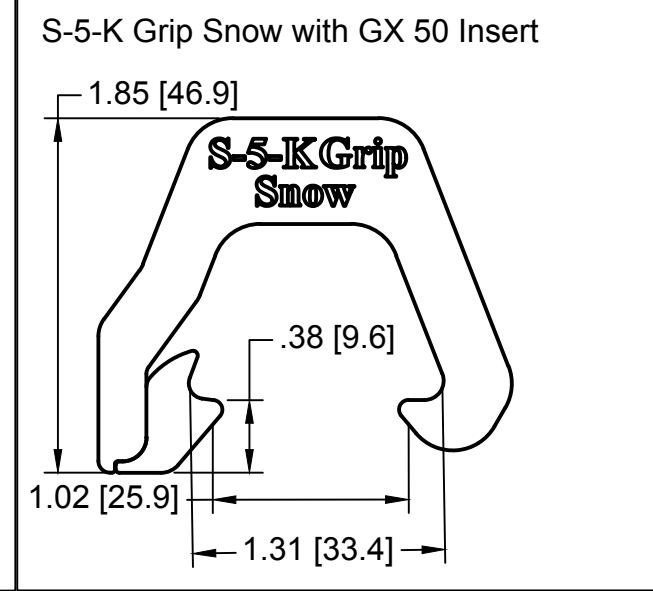
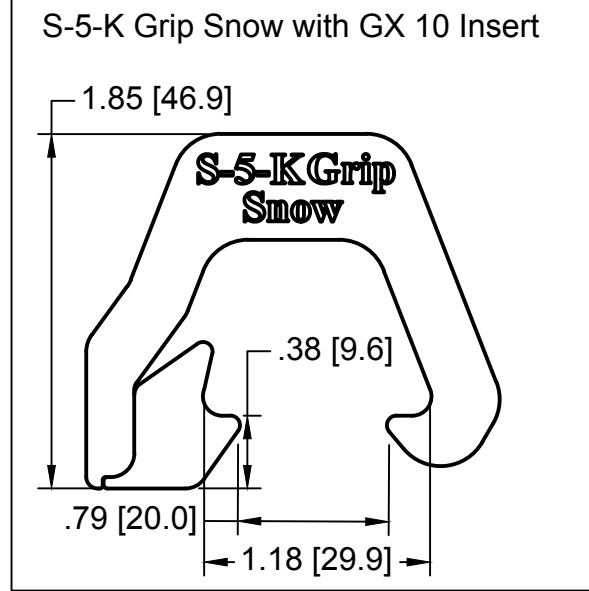
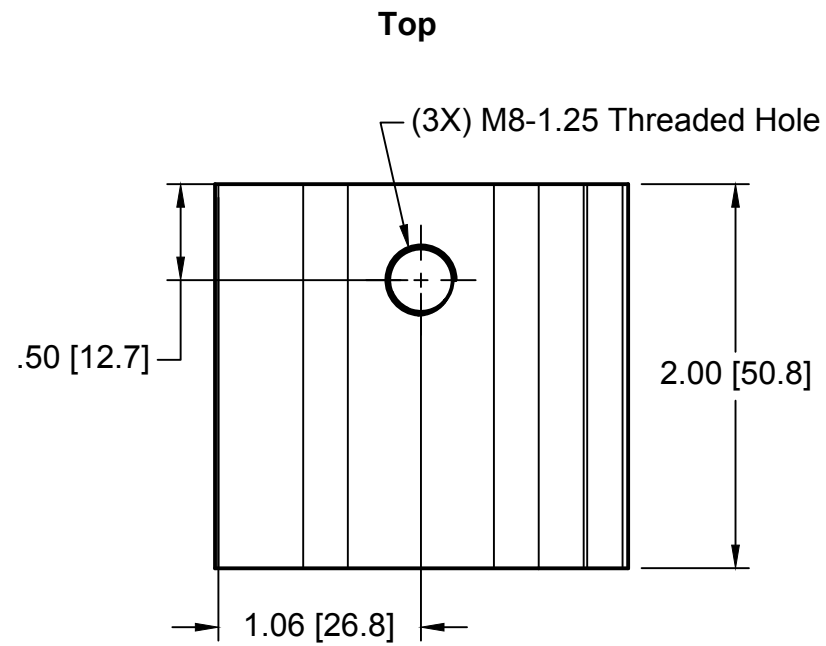
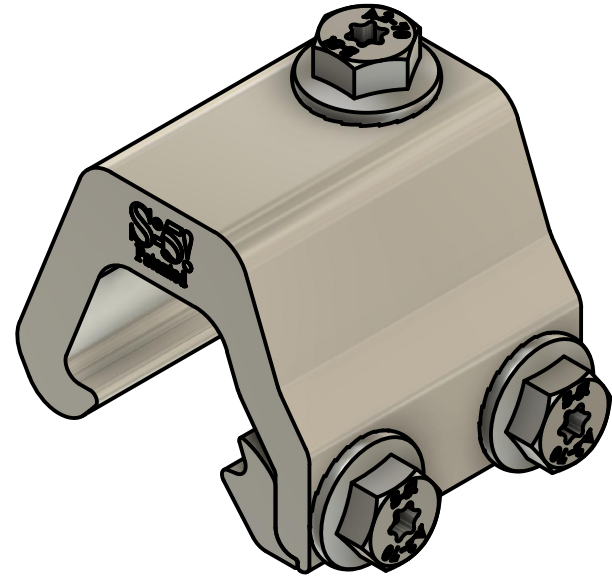


S-5-K Grip Snow



General Notes:

1. S-5-K Grip
2. S-5-K Grip GX 50 Insert
3. M8-1.25 X 17mm (13mm/T30 Torx Drive)
4. Example Roof

MATERIAL: 6000 Series AL			METAL ROOF INNOVATIONS, LTD.	
EST ASSEMBLY WT: with GX10: 0.408 lbs, with GX50: 0.384 lbs			8750 WALKER RD COLORADO SPRINGS, CO 80908 719-495-0518 719-495-0045 (FAX)	
HARDWARE: (X3) M8-1.25 13mm/T30 Drive Bolt	TITLE S-5-K Grip Snow [CCD]			
	DRAWING NO. KG47-C-18-E	DRAWN BY SB	DATE 04-25-2024	
	SCALE 1:1	FILE NAME KG47-C-18-E (S-5-K Grip Snow) [CCD]		
S-5!® PRODUCTS ARE PROTECTED BY MULTIPLE U.S. AND FOREIGN PATENTS. VISIT OUR WEBSITE AT WWW.S-5.COM FOR COMPLETE INFORMATION ON PATENTS AND TRADEMARKS				