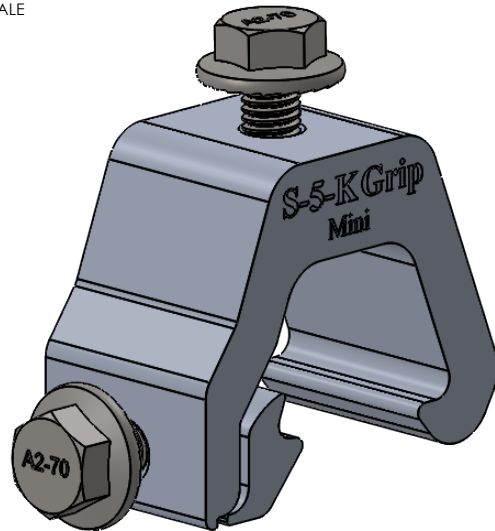


# S-5-K Grip Mini

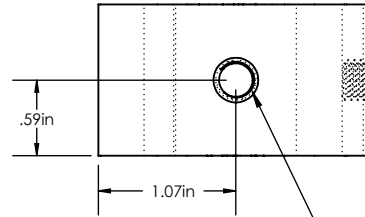
ISOMETRIC 1:1 SCALE



Back

Left

Top

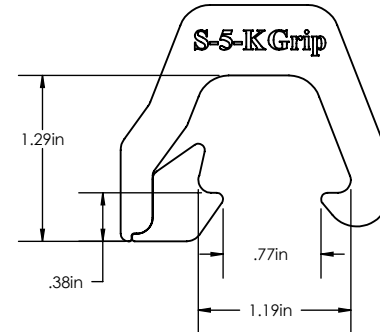


(2x) M8-1.25 THREADED HOLE

Front

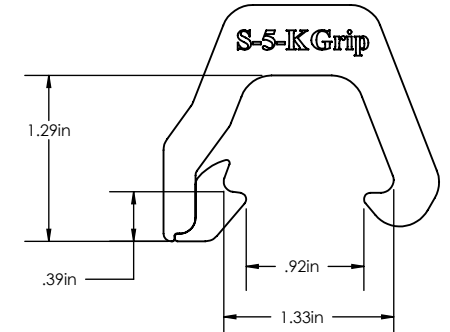
Right

S-5-K Grip with GXM 10 Insert

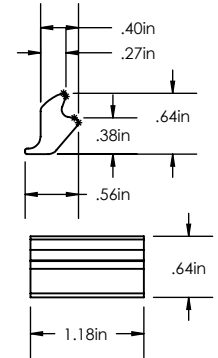
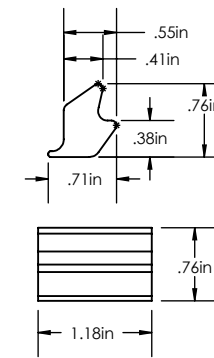
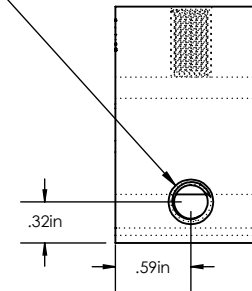
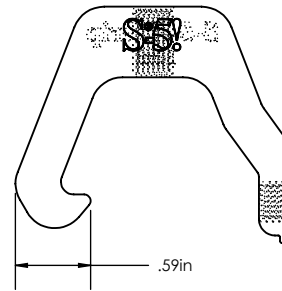
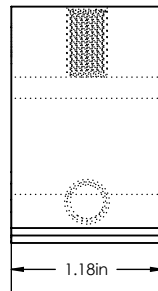
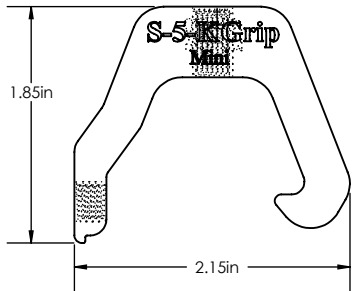


Scale 2:3

S-5-K Grip with GXM 50 Insert



Scale 2:3



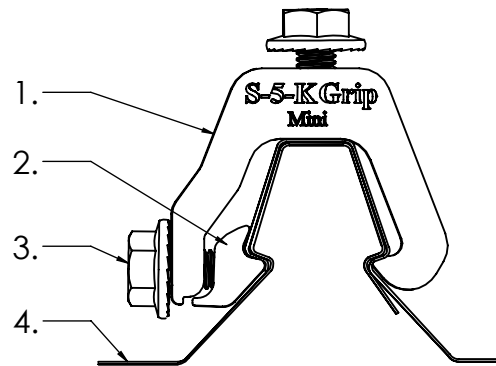
INSERTS SHOWN AT 1:2 SCALE

Fits with **S-5-GXM 10** insert:  
 LYSAGHT KLIP-LOK® 406  
 McElroy Metal Mirage  
 AEP Span Klip-Rib®  
 Metal Sales Clip-Loc  
 SpeedDeck® SpeedDeck®  
 Safintra Saflok 410  
 Safintra Saflok 700  
 Domico Dach®  
 And other similar profiles

Fits with **S-5-GXM 50** insert:  
 LYSAGHT KLIP-LOK Classic® 700  
 LYSAGHT KLIP-LOK 700 Hi-Strength®  
 Stramit® Speed Deck Ultra®  
 Fielders KingKlip® 700  
 And other similar profiles

## General Notes:

1. S-5-K Grip Mini Clamp
2. S-5-K Grip Mini Insert
3. M8-1.25 Stainless Steel Hex Flange Bolt (13mm Socket)
4. Example Roof



FOR STANDING SEAM SPECIFIC MECHANICAL LOAD TEST INFORMATION AND CLAMP INSTALLATION INFORMATION PLEASE VISIT: [WWW.S-5.COM](http://WWW.S-5.COM)

MATERIAL:  
6061 T6 Al

EST ASSEMBLY WEIGHT:  
With GXM 10: 0.275 lbs  
With GXM 50: 0.261 lbs

SUPPLIED HARDWARE:  
(2x) M8-1.25 x 16 mm Bolt

SCALE: 2:3

EST. WEIGHT:  
Clamp: 0.173 lbs  
Bolt: 0.0345 lbs  
GX 10 Mini Insert: 0.033 lbs  
GX 50 Mini Insert: 0.019 lbs



METAL ROOF INNOVATIONS, LTD.  
 8655 TABLE BUTTE RD  
 COLORADO SPRINGS, CO 80908  
 719-495-0518  
 719-495-0045(FAX)

TITLE  
S-5-K Grip Mini

DRAWING NO. KG47-A-1-E DRAWN BY Paul Leitch DATE 5/22/2017

S-5!® PRODUCTS ARE PROTECTED BY MULTIPLE U.S. AND FOREIGN PATENTS. VISIT OUR WEBSITE AT [WWW.S-5.COM](http://WWW.S-5.COM) FOR COMPLETE INFORMATION ON PATENTS AND TRADEMARKS.