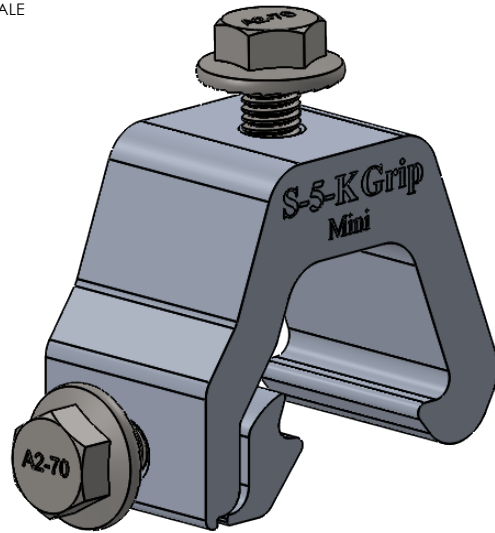


# S-5-K Grip Mini

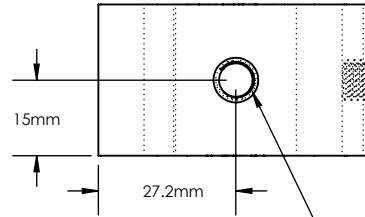
ISOMETRIC 1:1 SCALE



Back

Left

Top

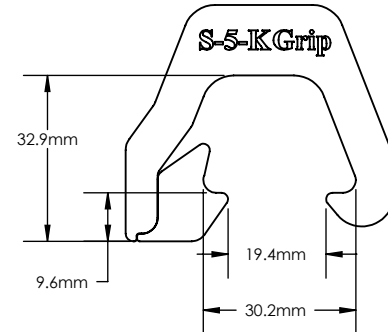


(2x) M8-1.25 THREADED HOLE

Front

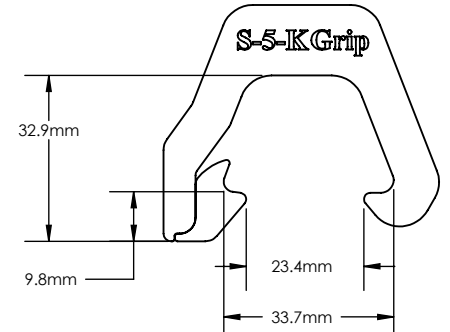
Right

## S-5-K Grip with GXM 10 Insert

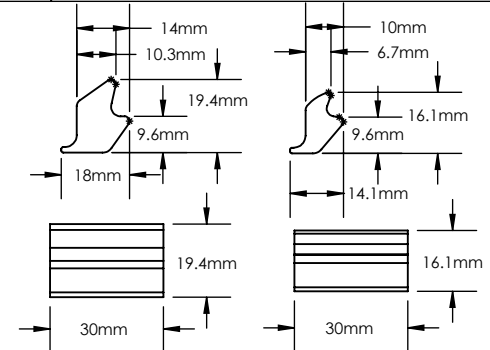
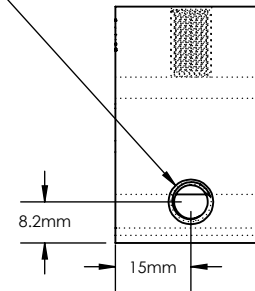
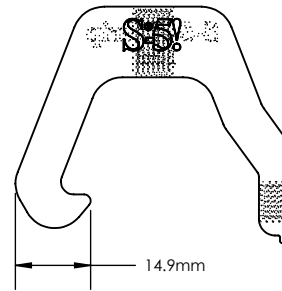
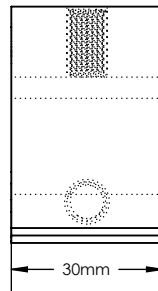
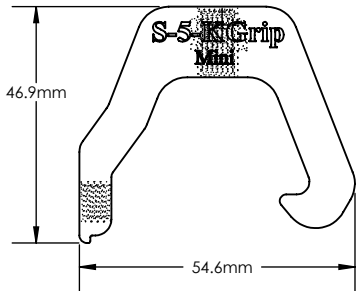


Scale 2:3

## S-5-K Grip with GXM 50 Insert



Scale 2:3



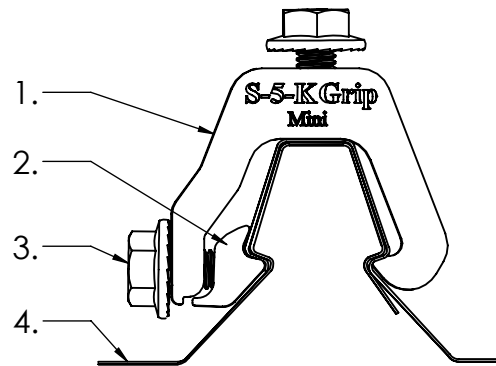
INSERTS SHOWN AT 1:2 SCALE

Fits with **S-5-GXM 10** insert:  
 LYSAGHT KLIP-LOK® 406  
 McElroy Metal Mirage  
 AEP Span Klip-Rib®  
 Metal Sales Clip-Loc  
 SpeedDeck® SpeedDeck®  
 Safintra Saflok 410  
 Safintra Saflok 700  
 Domico Dach®  
 And other similar profiles

Fits with **S-5-GXM 50** insert:  
 LYSAGHT KLIP-LOK Classic® 700  
 LYSAGHT KLIP-LOK 700 Hi-Strength®  
 Stramit® Speed Deck Ultra®  
 Fielders KingKlip® 700  
 And other similar profiles

### General Notes:

1. S-5-K Grip Mini Clamp
2. S-5-K Grip Mini Insert
3. M8-1.25 Stainless Steel Hex Flange Bolt (13mm Socket)
4. Example Roof



FOR STANDING SEAM SPECIFIC MECHANICAL LOAD TEST INFORMATION AND CLAMP INSTALLATION INFORMATION PLEASE VISIT: [WWW.S-5.COM](http://WWW.S-5.COM)

MATERIAL: 6061 T6 Al		METAL ROOF INNOVATIONS, LTD. 8655 TABLE BUTTE RD COLORADO SPRINGS, CO 80908 719-495-0518 719-495-0045(FAX)		
EST ASSEMBLY WEIGHT: With GXM 10: 124.74 g With GXM 50: 118.39 g		TITLE S-5-K Grip Mini		
SUPPLIED HARDWARE: (2x) M8-1.25 x 16 mm Bolt	SCALE: 2:3	DRAWING NO. KG47-A-1-E	DRAWN BY Paul Leitch	DATE 5/22/2017
EST. WEIGHT: Clamp: 78.47 g Bolt: 15.65 g GX 10 Mini Insert: 14.97 g GX 50 Mini Insert: 8.62 g	S-5!® PRODUCTS ARE PROTECTED BY MULTIPLE U.S. AND FOREIGN PATENTS. VISIT OUR WEBSITE AT <a href="http://WWW.S-5.COM">WWW.S-5.COM</a> FOR COMPLETE INFORMATION ON PATENTS AND TRADEMARKS.			