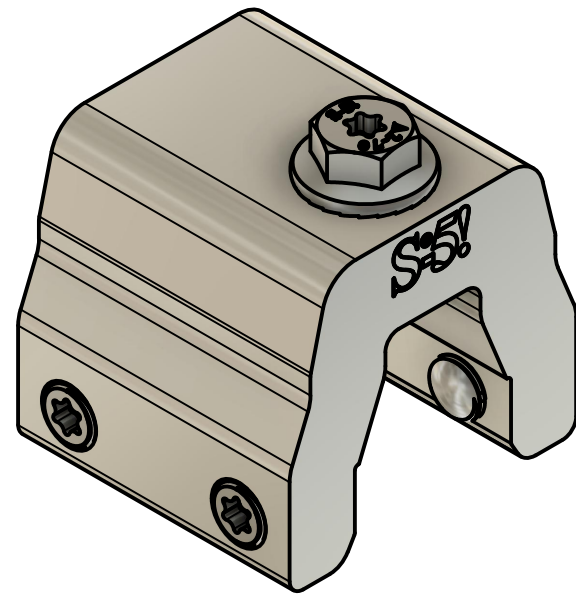
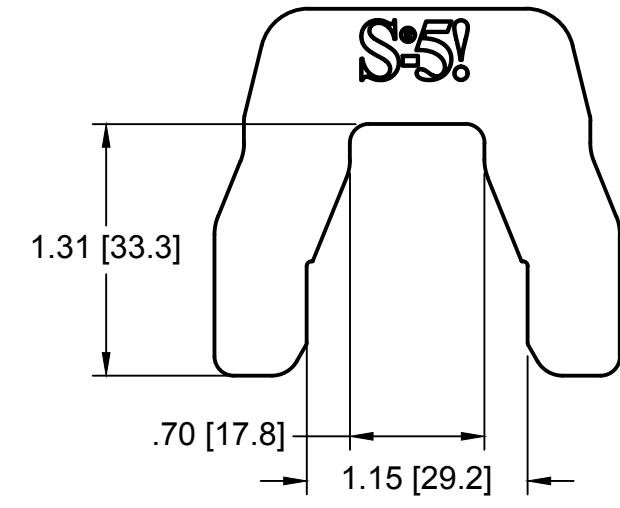
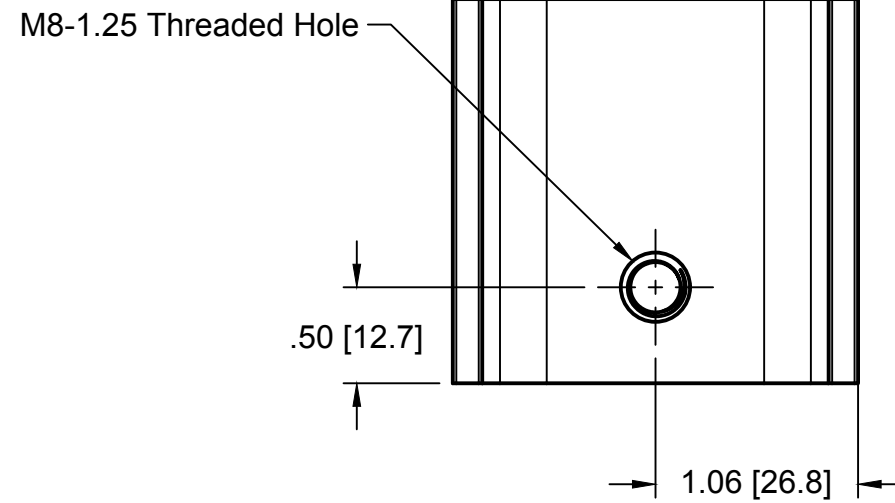


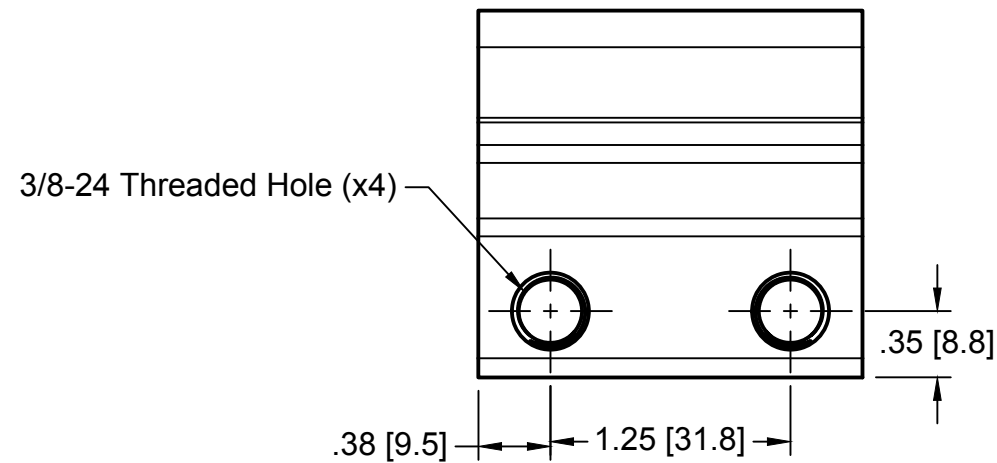
S-5-KHD



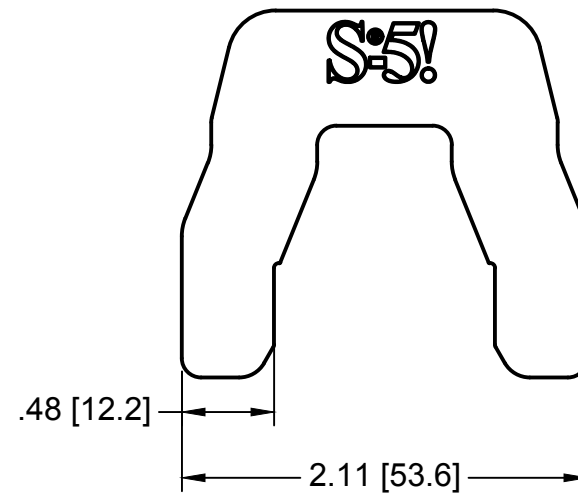
Top



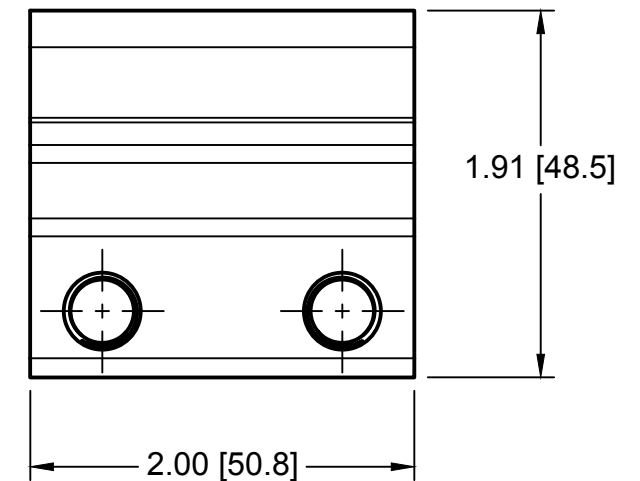
Left



Front

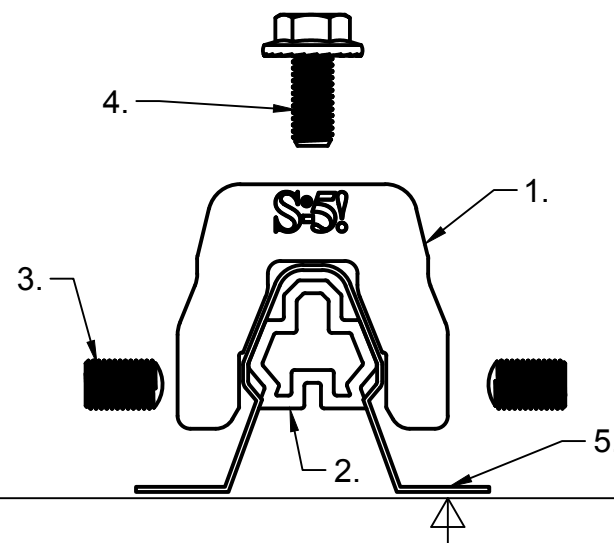



Right



General Notes:

1. S-5-KHD
2. S-5-KHD Insert
3. 0.9" 3/8-24 T30 Drive SetScrew
4. M8-1.25 X 17mm (13mm/T30 Torx Drive)
5. Example Roof



MATERIAL: 6000 Series AL		METAL ROOF INNOVATIONS, LTD. 8750 WALKER RD COLORADO SPRINGS, CO 80908 719-495-0518 719-495-0045 (FAX)	
EST ASSEMBLY WT: .497 lbs			
HARDWARE: 4x 0.9" 3/8-24 T30 Drive SetScrew (M4-25 Torx T30 Drive)	TITLE S-5-KHD [CCD]		
	DRAWING NO. KHD74-A-8-C	DRAWN BY SNLR	DATE 3/8/2022
	SCALE 1:1	FILE NAME KHD74-A-8-C (S-5-KHD) [CCD]	
S-5!® PRODUCTS ARE PROTECTED BY MULTIPLE U.S. AND FOREIGN PATENTS. VISIT OUR WEBSITE AT WWW.S-5.COM FOR COMPLETE INFORMATION ON PATENTS AND TRADEMARKS			