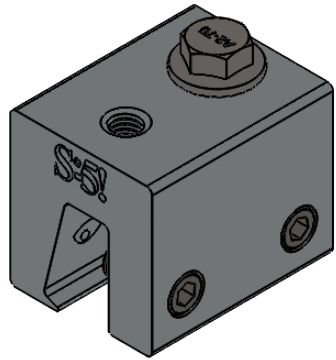
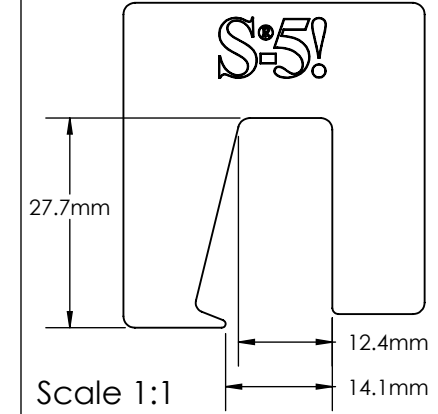
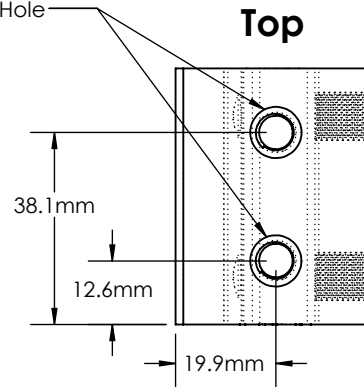


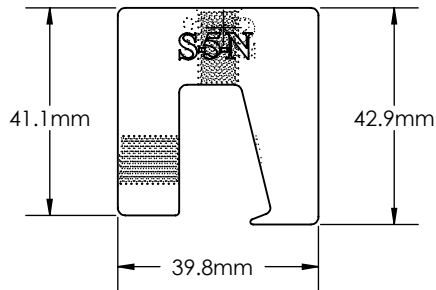
S-5-N



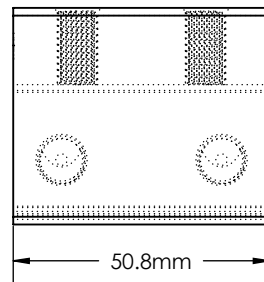
(2x) M8-1.25 Threaded Hole



Back

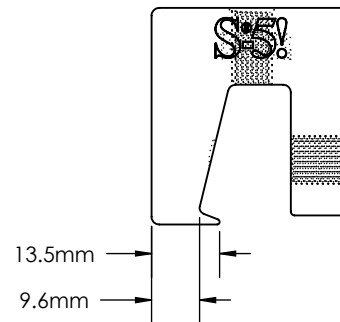


Left

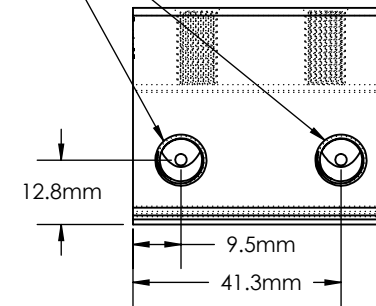


Front

(2x) 3/8-24 Threaded Hole

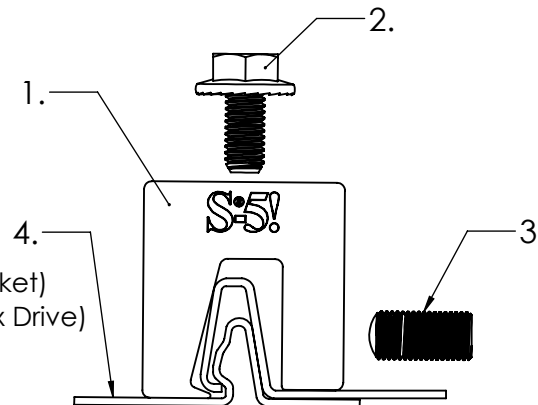


Right



General Notes:

1. S-5-N Clamp
2. M8-1.25 Stainless Steel Hex Flange Bolt (13mm Socket)
3. 3/8-24 Stainless Steel Round Point Setscrew (3/16 Hex Drive)
4. Example Roof



FOR STANDING SEAM SPECIFIC MECHANICAL LOAD TEST INFORMATION AND CLAMP INSTALLATION INFORMATION PLEASE VISIT: WWW.S-5.COM

MATERIAL: 6061 T6 Al			METAL ROOF INNOVATIONS, LTD. 8655 TABLE BUTTE RD COLORADO SPRINGS, CO 80908 719-495-0518 719-495-0045(FAX)	
EST ASSEMBLY WEIGHT: 195.27 g				
SUPPLIED HARDWARE: M8-1.25 x 16 mm Bolt (2X) 3/8-24 x .800" Setscrews	TITLE S-5-N			
SCALE: 1:1.5	DRAWING NO. N72-A-2-C	DRAWN BY Paul Leitch	DATE 5/12/2017	
EST. WEIGHT: Clamp: 164.2 g Setscrew: 7.71 g Bolt: 15.65 g	S-5!® PRODUCTS ARE PROTECTED BY MULTIPLE U.S. AND FOREIGN PATENTS. VISIT OUR WEBSITE AT WWW.S-5.COM FOR COMPLETE INFORMATION ON PATENTS AND TRADEMARKS.			