

**The Right Way!® to attach almost anything to metal roofs!**

# S-5!®

## The Right Way

### S-5-Q™ Clamp

The S-5-Q clamp was specifically developed to accommodate metal roof panels having a large, round “bulb” seam configuration up to 29 mm. It will also fit smaller bulb-shaped profiles that were not seamed correctly, allowing the seam to be utilized without modification.

The clamp's two-piece design allows it to be easily installed anywhere along the length of the rib, making installation a snap! Just place the clamp on the seam, position the insert piece, and tighten the setscrews. Go to [www.S-5.com/tools](http://www.S-5.com/tools) for information about properly attaching S-5!® clamps.

After the clamp is installed, affix ancillary items using the top bolt provided. The S-5-Q is perfect for use with S-5! ColorGard® snow retention system and other heavy-duty applications.

### S-5-Q Mini Clamp

The S-5-Q Mini is a bit shorter than the S-5-Q and has one setscrew rather than two. The mini is the choice for attaching all kinds of rooftop accessories: signs, walkways, satellite dishes, antennas, rooftop lighting, lightning protection systems, solar arrays, exhaust stack bracing, conduit, condensate lines, mechanical equipment—just about anything!\*

\*S-5! mini clamps are not compatible with, and should not be used with, S-5! SnoRail™/SnoFence™ or ColorGard® snow retention systems.



**The S-5-Q clamp was specifically developed to accommodate large “bulb” seam configurations up to 29 mm.**

**S-5-Q™ and S-5-Q™ Mini**



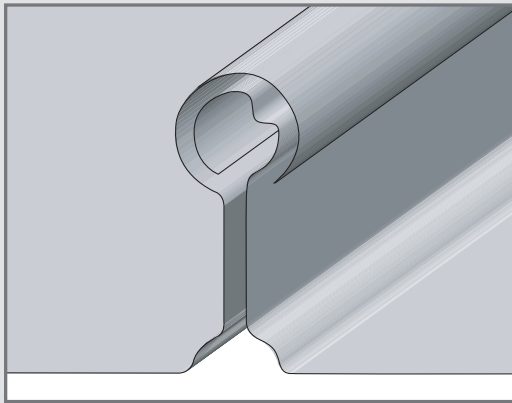
**888-825-3432 | [www.S-5.com](http://www.S-5.com) |**

The strength of the S-5-Q™ clamp is in its simple design. The patented setscrews will slightly dimple the metal seam material but will not puncture it—leaving roof manufacturers' warranties intact.

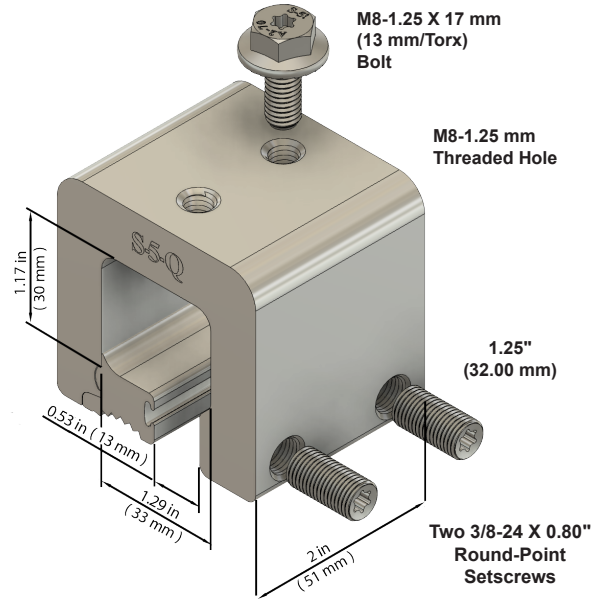
The S-5-Q and S-5-Q Mini clamps are each furnished with the hardware shown to the right. Each box also includes a bit tip for tightening setscrews using an electric screw gun. The structural 6000 series aluminum attachment clamp is compatible with most common metal roofing materials excluding copper. All included hardware 3000 series is stainless steel. Please visit [www.S-5.com](http://www.S-5.com) for more information including CAD details, metallurgical compatibilities, and specifications.

The S-5-Q clamp has been tested for load-to-failure results on a variety of bulb-shaped standing seam roof profiles from leading panel manufacturers. The independent lab test reports found on our website at [www.S-5.com](http://www.S-5.com) prove that S-5!<sup>®</sup> holding strength is unmatched in the industry.

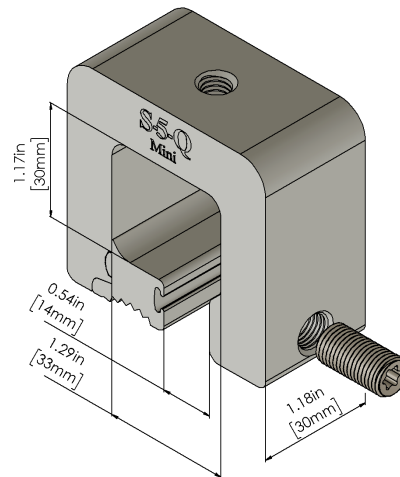
## Example Profiles



## S-5-Q



## S-5-Q Mini



Please note: All measurements are rounded to the second decimal place.

### S-5!<sup>®</sup> Warning! Please use this product responsibly!

Products are protected by multiple U.S. and foreign patents. Visit the website at [www.S-5.com](http://www.S-5.com) for complete information on patents and trademarks. For maximum holding strength, setscrews should be tensioned and re-tensioned as the seam material compresses. Clamp setscrew tension should be verified using a calibrated torque wrench between 160 and 180 inch pounds when used on 22ga steel, and between 130 and 150 inch pounds for all other metals and thinner gauges of steel. Consult the S-5! website at [www.S-5.com](http://www.S-5.com) for published data regarding holding strength.

Copyright 2025, Metal Roof Innovations, Ltd. S-5! products are patent protected. S-5! aggressively protects its patents, trademarks, and copyrights. Version 121825.

Distributed by