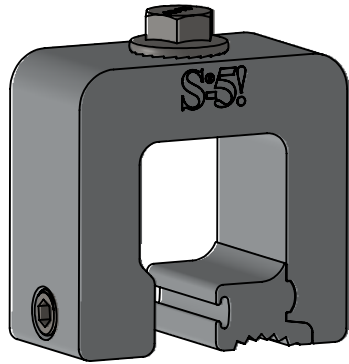
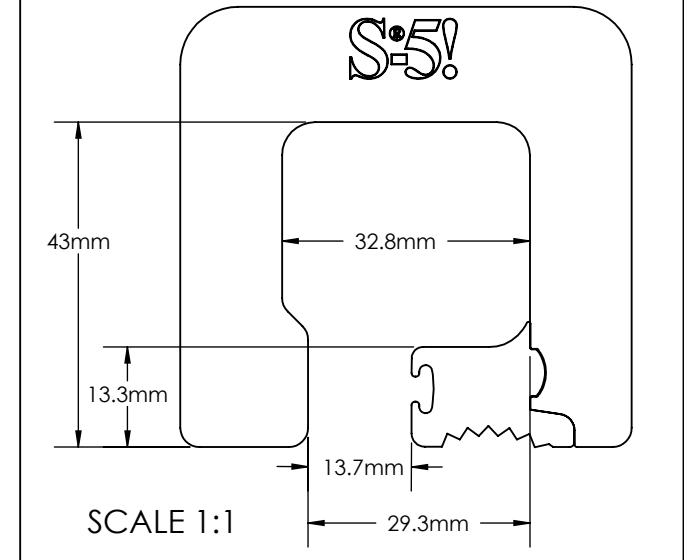
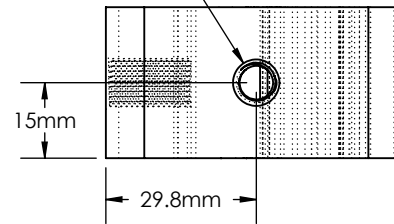


S-5-Q Mini

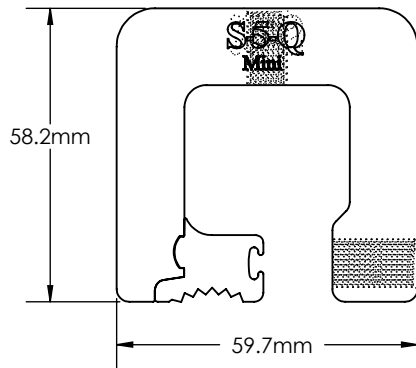


M8-1.25 Threaded Hole **Top**

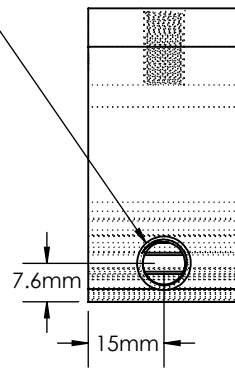


3/8-24 Threaded Hole

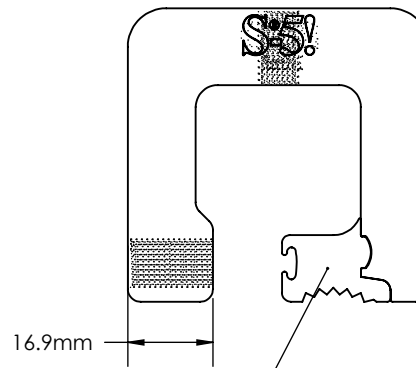
Back



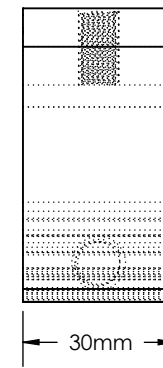
Left



Front

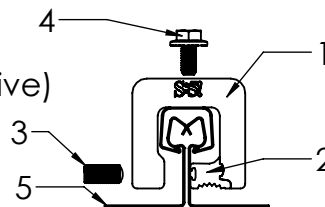


Right



General Notes:

1. S-5-Q Mini Clamp
2. S-5-Q Mini Insert
3. 3/8-24 Stainless Steel Round Point Setscrew (3/16 Hex Drive)
4. M8-1.25 Stainless Steel Hex Flange Bolt (13mm Socket)
5. Example roof



FOR STANDING SEAM SPECIFIC MECHANICAL LOAD TEST INFORMATION AND CLAMP INSTALLATION INFORMATION PLEASE VISIT: WWW.S-5.COM

MATERIAL: 6061 T6 Al			METAL ROOF INNOVATIONS, LTD. 8655 TABLE BUTTE RD COLORADO SPRINGS, CO 80908 719-495-0518 719-495-0045(FAX)	
EST ASSEMBLY WEIGHT: 201.39 g				
SUPPLIED HARDWARE: M8-1.25 x 16 mm Bolt 3/8-24 x .800" Setscrew	TITLE S-5-Q Mini			
SCALE: 1:1.5	DRAWING NO. Q03-A-1-C	DRAWN BY Kafi Kadakas	DATE 4/12/2016	
EST. WEIGHT: Clamp: 161.03 g Insert: 17 g Setscrew: 7.71 g Bolt: 15.65 g	S-5!® PRODUCTS ARE PROTECTED BY MULTIPLE U.S. AND FOREIGN PATENTS. VISIT OUR WEBSITE AT WWW.S-5.COM FOR COMPLETE INFORMATION ON PATENTS AND TRADEMARKS.			