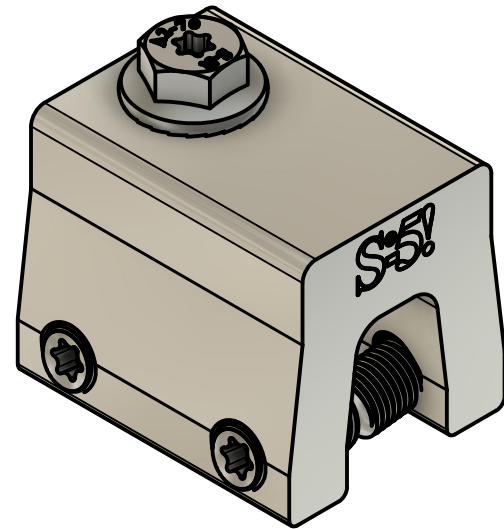
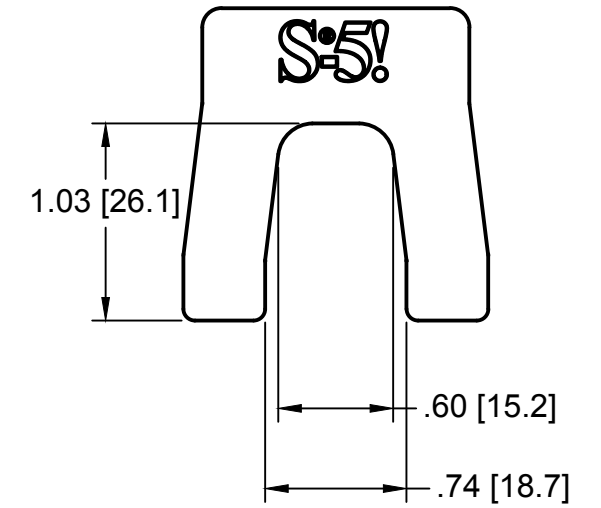
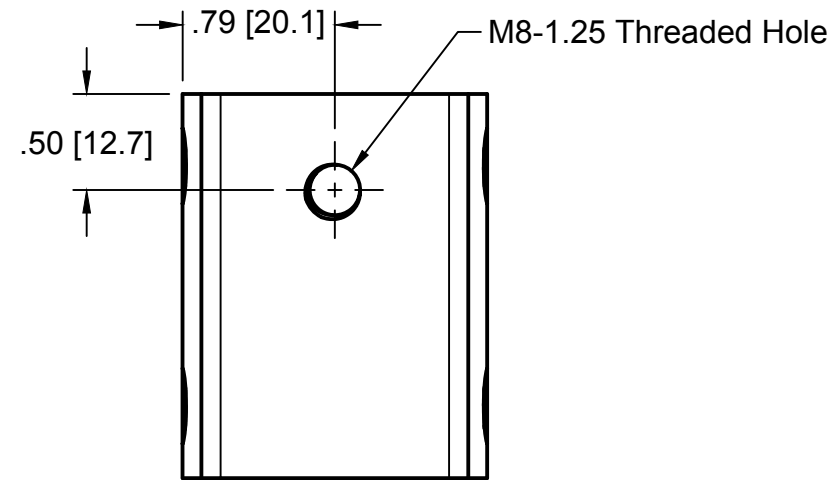


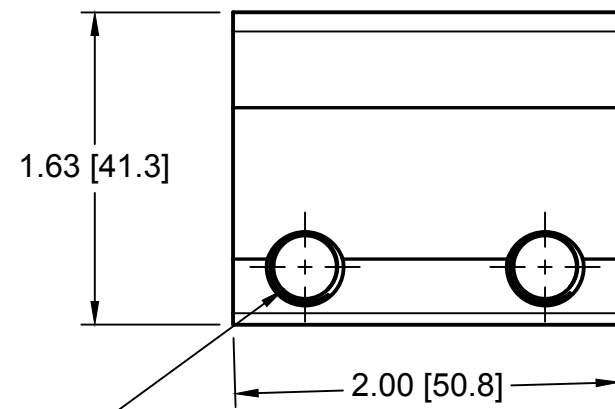
# S-5-R465



Top

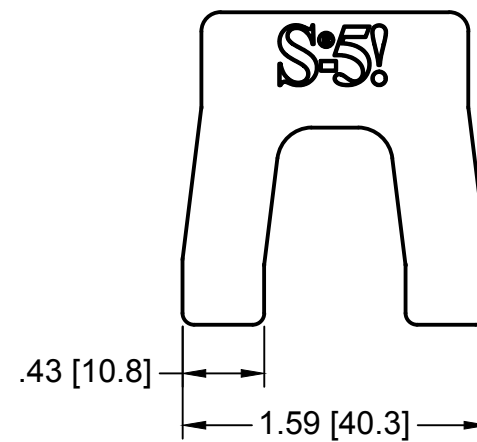


Left

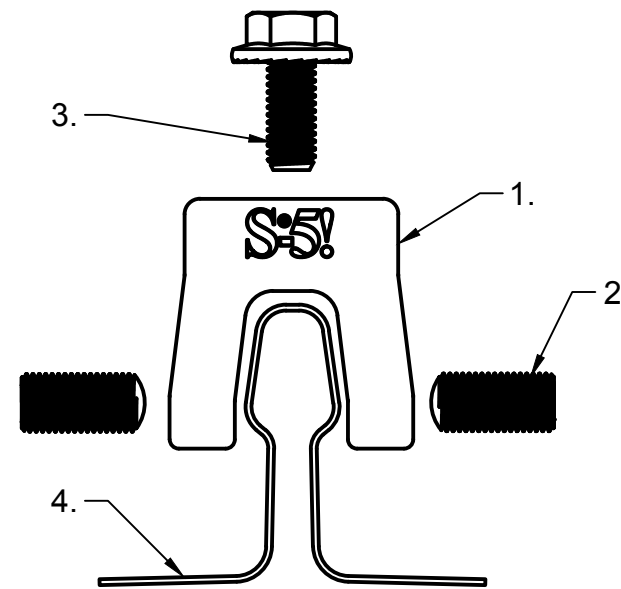
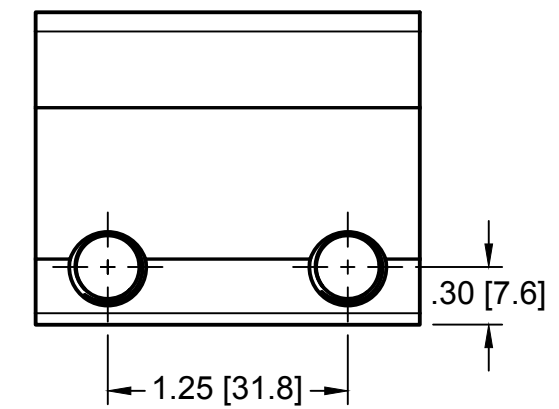


(4x) 3/8-24 Threaded Hole

Front




Right



## General Notes:

1. S-5-R465
2. 0.9" 3/8-24 T30 Drive SetScrew
3. M8-1.25 X 17mm (13mm/T30 Torx Drive)
4. Example Roof

MATERIAL: 6000 Series AL			METAL ROOF INNOVATIONS, LTD.	
EST ASSEMBLY WT: 0.395 lbs			8750 WALKER RD COLORADO SPRINGS, CO 80908 719-495-0518 719-495-0045 (FAX)	
HARDWARE: 4x 3/8-24 T30 Drive SetScrew, M8-1.25 Torx Drive Bit	TITLE S-5-R465			
	DRAWING NO. RR465-A-3-D	DRAWN BY SNLR	DATE 3/14/2022	
	SCALE 1:1	FILE NAME RR465-A-3-D (S-5-R465) [FAB]		
S-5!® PRODUCTS ARE PROTECTED BY MULTIPLE U.S. AND FOREIGN PATENTS. VISIT OUR WEBSITE AT WWW.S-5.COM FOR COMPLETE INFORMATION ON PATENTS AND TRADEMARKS				