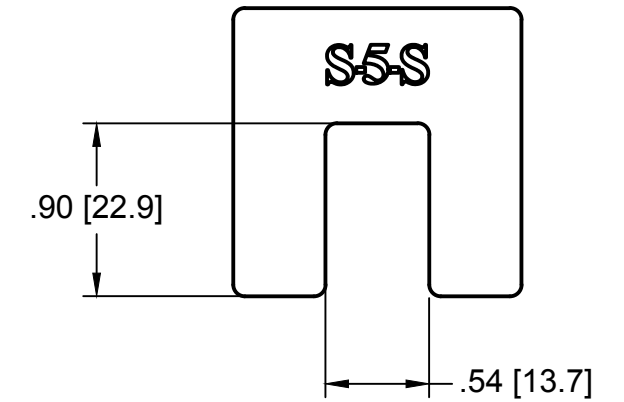
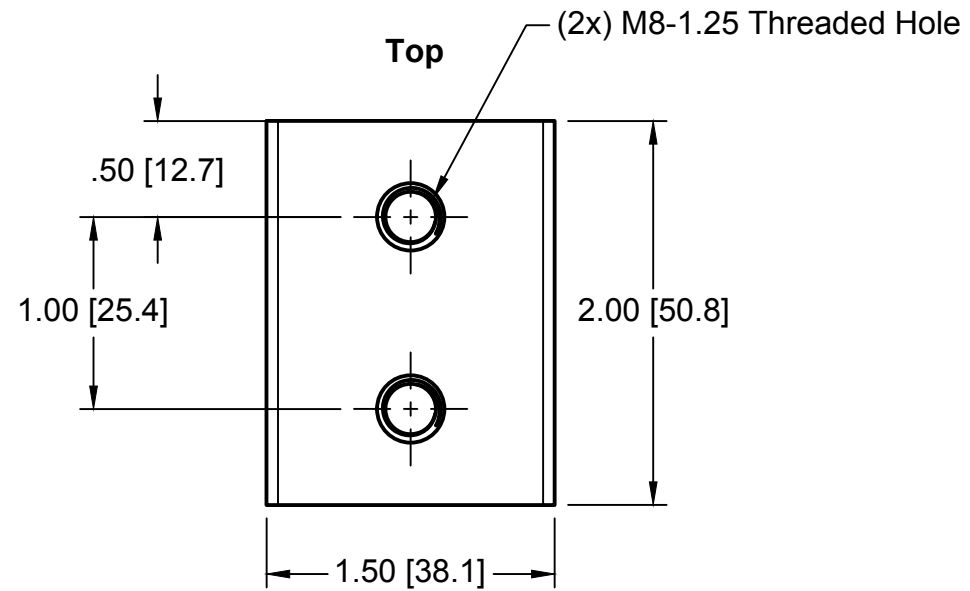
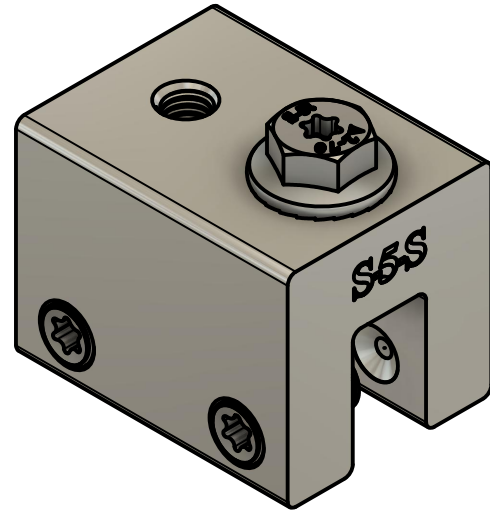
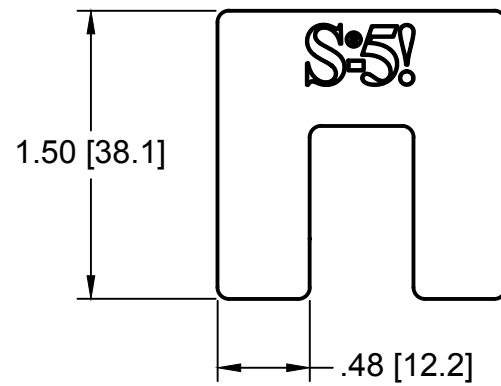


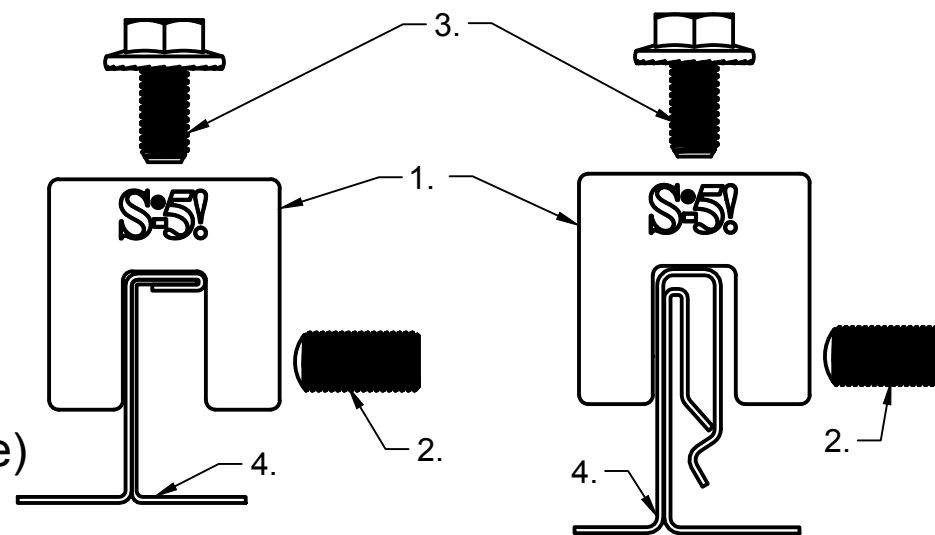
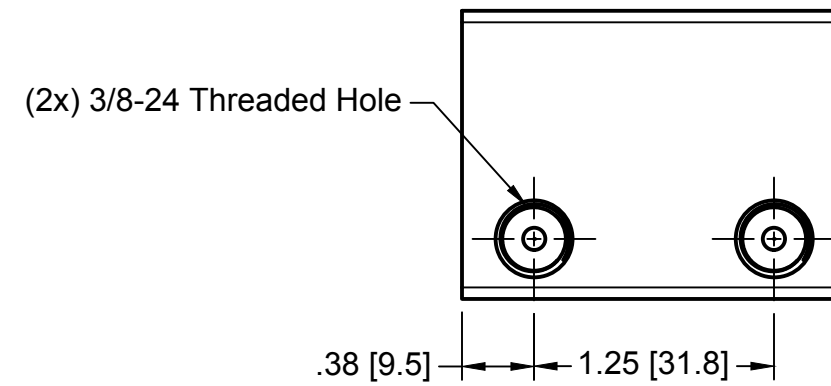
**S-5-S**



**Front**



**Right**



**General Notes:**

1. S-5-S
2. 0.9" 3/8-24 T30 Drive SetScrew
3. M8-1.25 X 17mm (13mm/T30 Torx Drive)
4. Example Roof

MATERIAL:  
6000 Series AL  
EST ASSEMBLY WT:  
0.013 lbs  
HARDWARE:  
(2) 3/8" 3/8-24 T30 Drive SetScrew (M4-25 Torx)



METAL ROOF INNOVATIONS, LTD.  
8750 WALKER RD  
COLORADO SPRINGS, CO 80908  
719-495-0518  
719-495-0045 (FAX)

TITLE **S-5-S [CCD]**  
DRAWING NO. **S08-A-8-E** DRAWN BY **SNLR** DATE **3/14/2022**  
SCALE **1:1** FILE NAME **S08-A-8-E (S-5-S) [CCD]**

S-5!® PRODUCTS ARE PROTECTED BY MULTIPLE U.S. AND FOREIGN PATENTS.  
VISIT OUR WEBSITE AT [WWW.S-5.COM](http://WWW.S-5.COM) FOR COMPLETE INFORMATION ON  
PATENTS AND TRADEMARKS