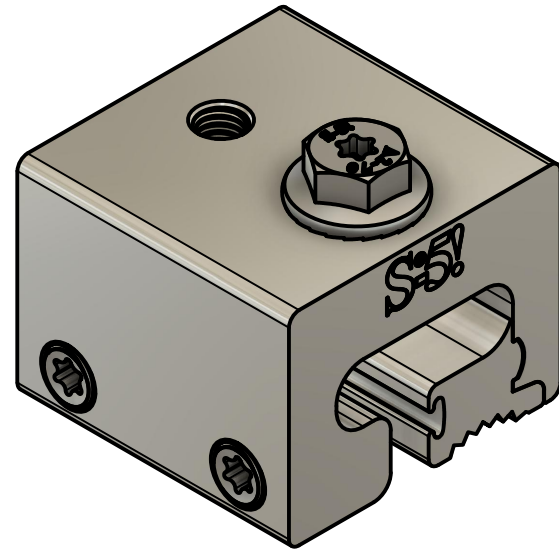
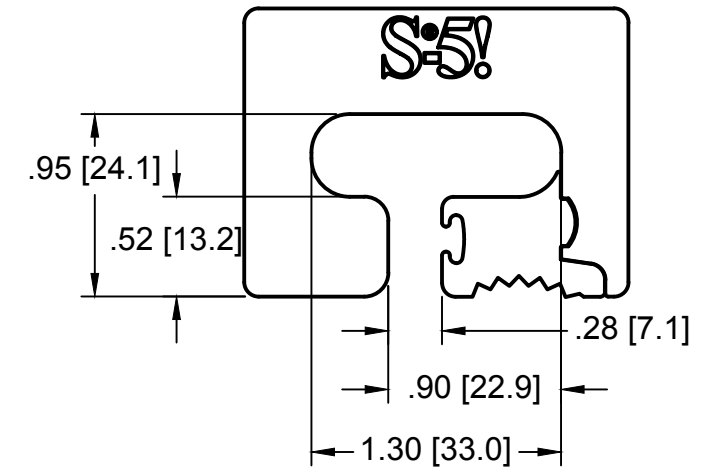
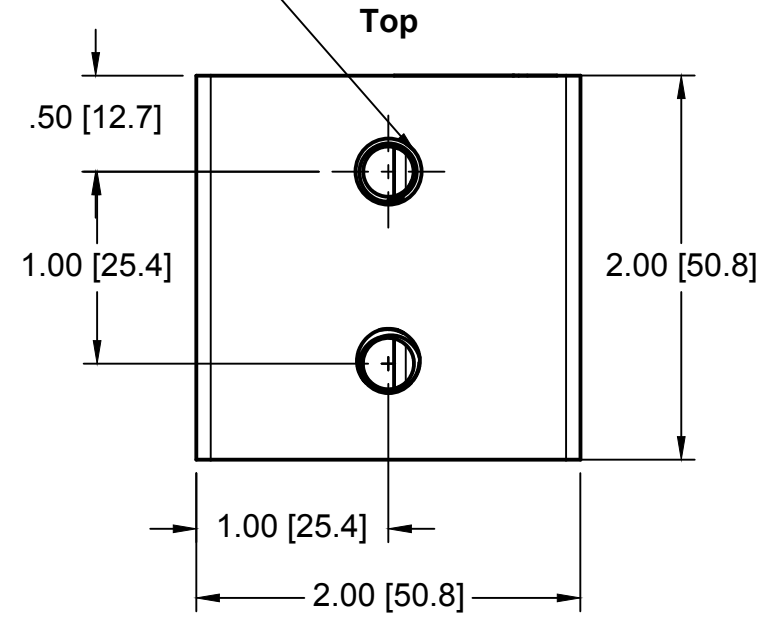


# S-5-T

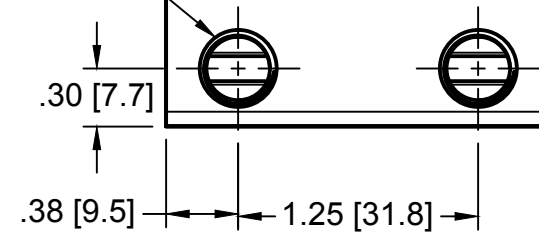


(2x) M8-1.25 Threaded Hole

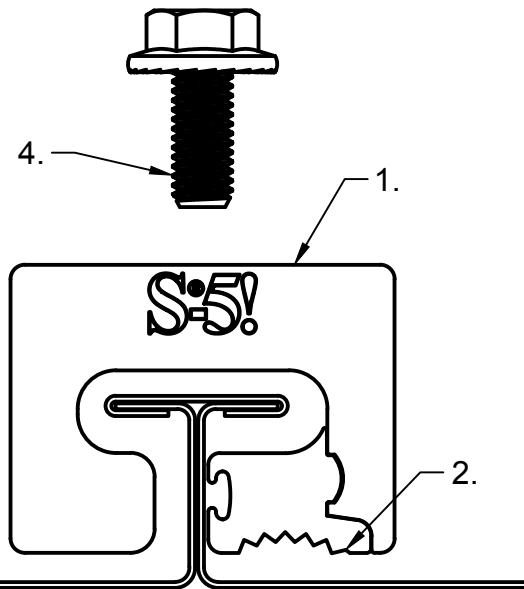
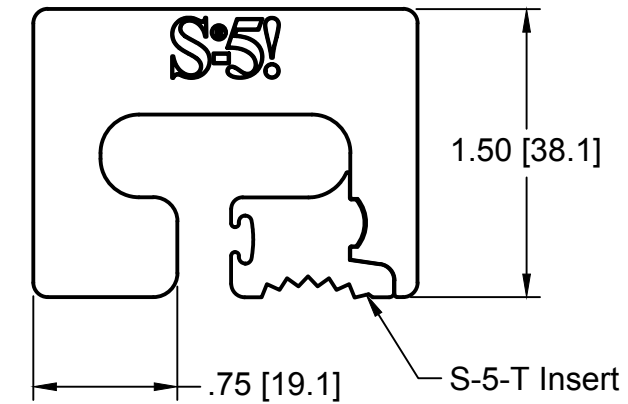


Left

(2x) 3/8-24 Threaded Hole



Front



## General Notes:

1. S-5-T
2. S-5-T Insert
3. 0.9" 3/8-24 T30 Drive SetScrew
4. M8-1.25 X 17mm (13mm/T30 Torx Drive)
5. Example Roof

MATERIAL:  
6000 Series AL  
EST ASSEMBLY WT:  
0.016 lbs  
HARDWARE:  
(2) 3/8" 3/8-24 T30 Drive SetScrew (M) 1.25 (1) M8-1.25 Torx Drive Bit



METAL ROOF INNOVATIONS, LTD.  
8750 WALKER RD  
COLORADO SPRINGS, CO 80908  
719-495-0518  
719-495-0045 (FAX)

TITLE S-5-T [CCD]  
DRAWING NO. T09-A-8-C DRAWN BY SNLR DATE 3/14/2022  
SCALE 1:1 FILE NAME T09-A-8-C (S-5-T) [CCD]

S-5!® PRODUCTS ARE PROTECTED BY MULTIPLE U.S. AND FOREIGN PATENTS.  
VISIT OUR WEBSITE AT WWW.S-5.COM FOR COMPLETE INFORMATION ON  
PATENTS AND TRADEMARKS