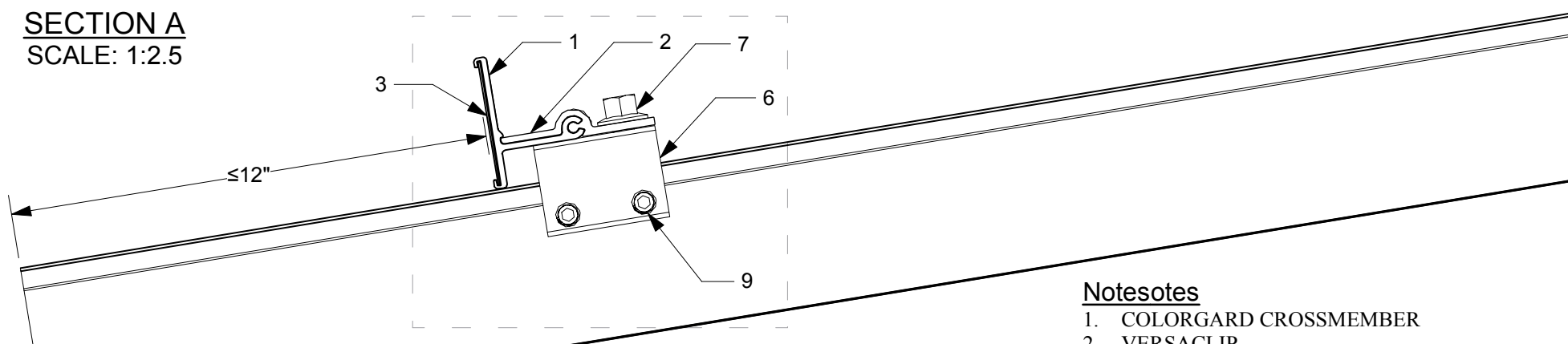
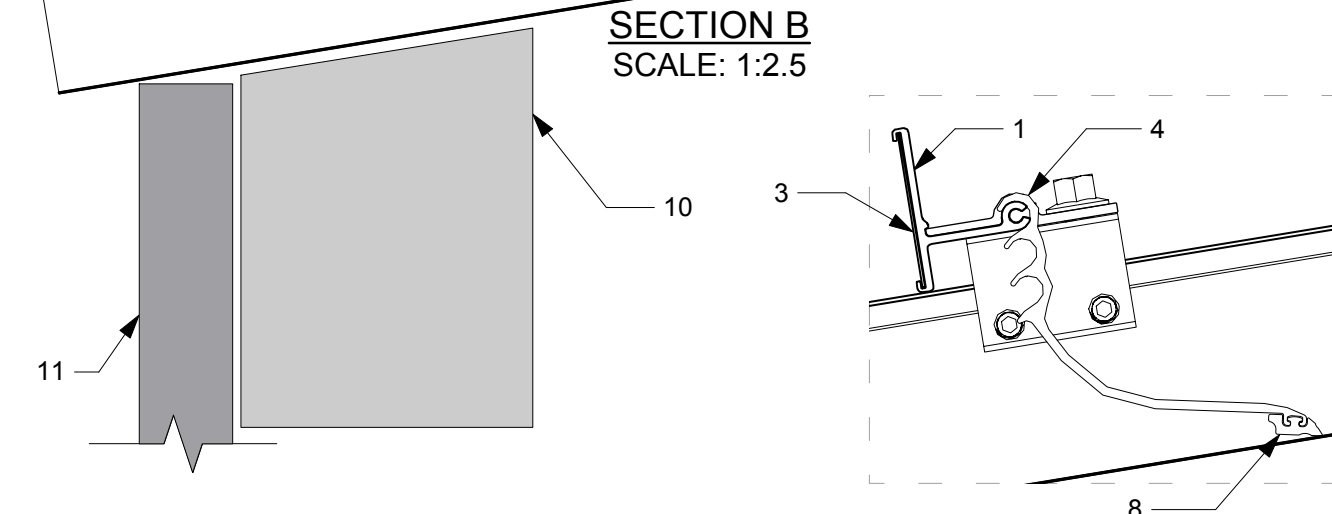


SECTION A
SCALE: 1:2.5



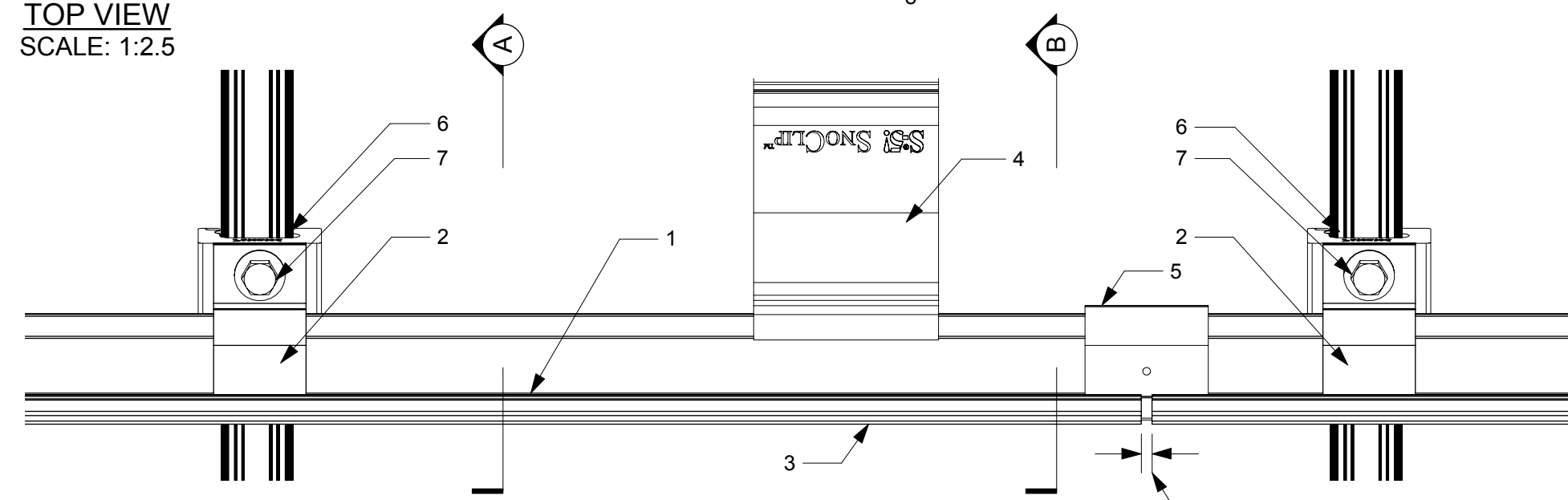
SECTION B
SCALE: 1:2.5



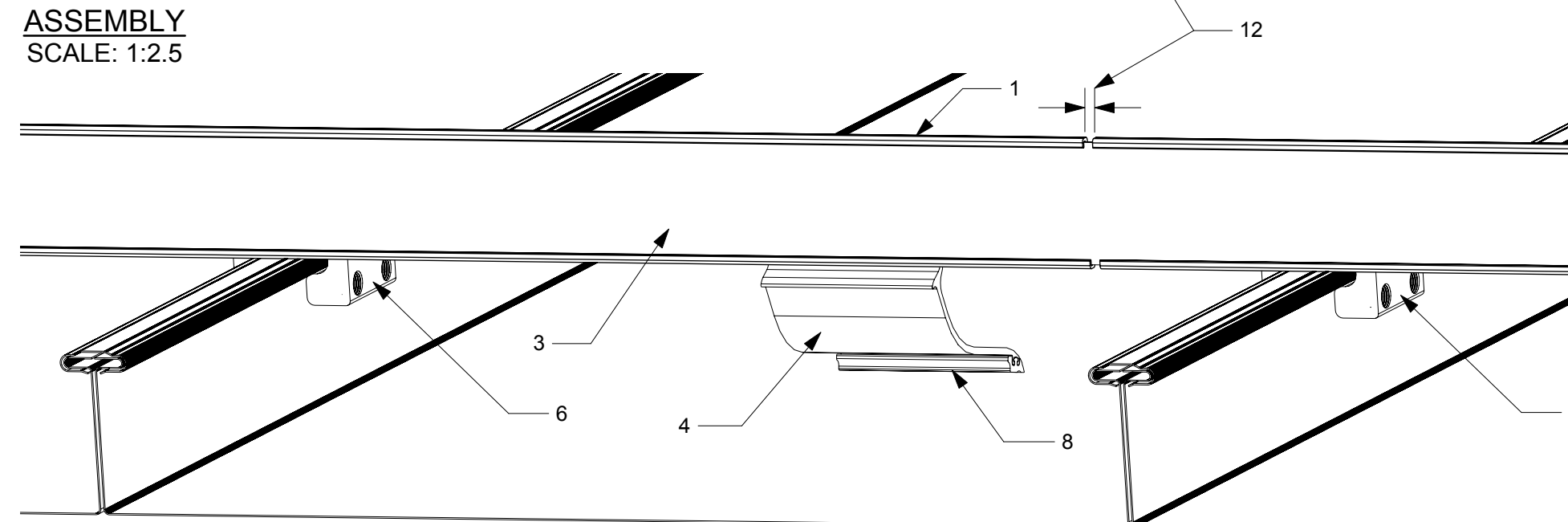
Notes

1. COLORGARD CROSSMEMBER
2. VERSACLIP
3. 2" PREFINISHED COLORSTRIP TO MATCH ROOF (BY OTHERS)
4. SNOCLIP BETWEEN ROOF SEAMS (VERIFY SNOCLIP MODEL WITH ROOF SEAM HEIGHT)
5. COLORGARD SPLICE
6. S-5-T CLAMP
7. M10-1.5 X 0.63" HEX FLANGE BOLT
8. RUBBER FOOT TOE
9. 3/8-24 X 0.8" ROUND POINT SETSCREW
10. EAVE STRUCTURE
11. SIDING MATERIAL
12. SPACE FOR THERMAL EXPANSION

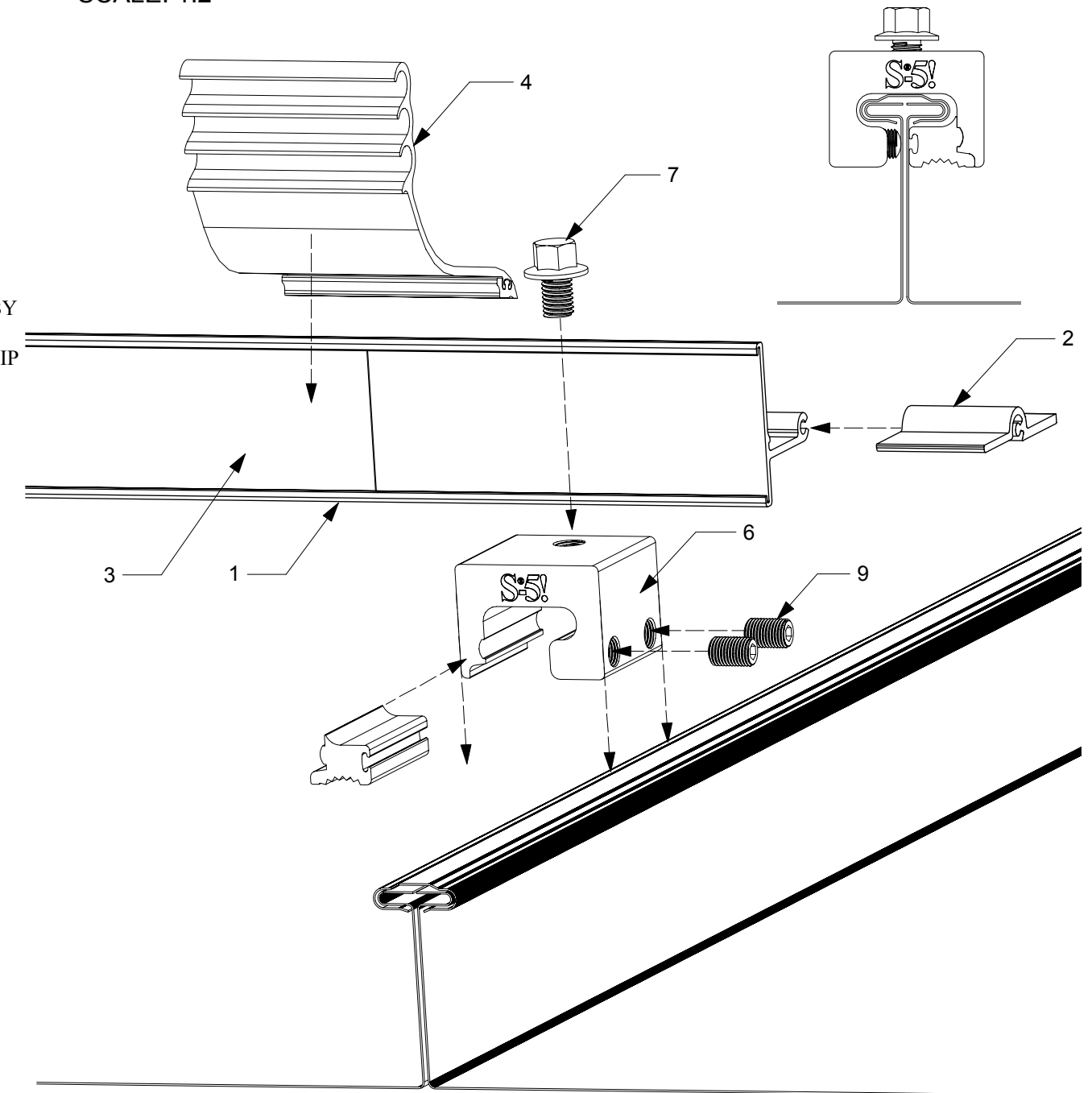
TOP VIEW
SCALE: 1:2.5




ASSEMBLY
SCALE: 1:2.5



COMPONENTS
SCALE: 1:2



 S-5! The Right Way!	DRAWING TITLE: S-5-T ColorGard Assembly	
	DRAWING NUMBER: S-5-TCG 100	ISSUE DATE: September 18, 2013
CLAMP: S-5-T	CLAMP WEBPAGE: http://www.s-5.com/clamps/index_898.cfm	METAL ROOF INNOVATIONS, LTD. 8655 TABLE BUTTE RD COLORADO SPRINGS, CO 80908 719-495-0518 888-825-3432 www.S-5.com
CROSS MEMBER: Unpunched ColorGard	CROSS MEMBER WEBPAGE: http://www.s-5.com/snow/index_1146.cfm	
CALCULATOR: Calculator	CALCULATOR WEBPAGE: http://www.s-5.com/calculator/index.cfm	
S-5!® PRODUCTS ARE PROTECTED BY MULTIPLE U.S. PATENTS INCLUDING 5,228,248, 5,983,588 AND 6,164,033 (OTHERS ISSUED AND PENDING). EUROPEAN PATENTS ARE ALSO APPLIED FOR AND PENDING UNDER THE PATENT COOPERATION TREATY WITH DIVISIONAL FILING RIGHTS RETAINED. METAL ROOF INNOVATIONS, LTD. (LICENSOR OF S-5!® TECHNOLOGY) AGGRESSIVELY PROSECUTES PATENT INFRINGEMENT.		