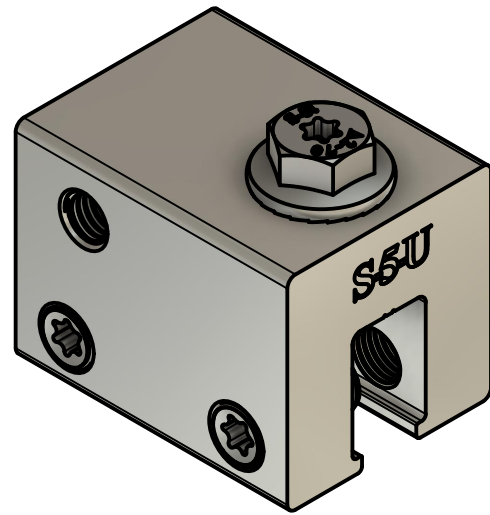
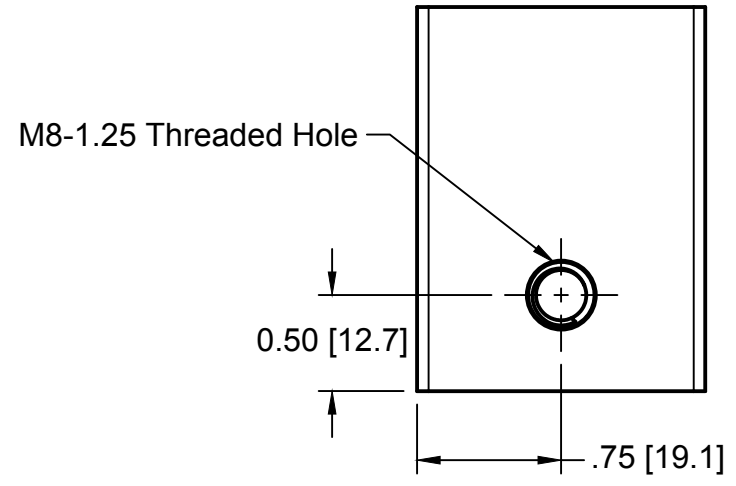


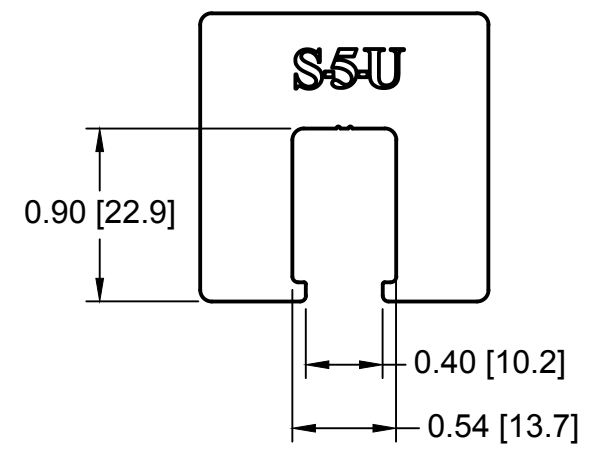
# S-5-U



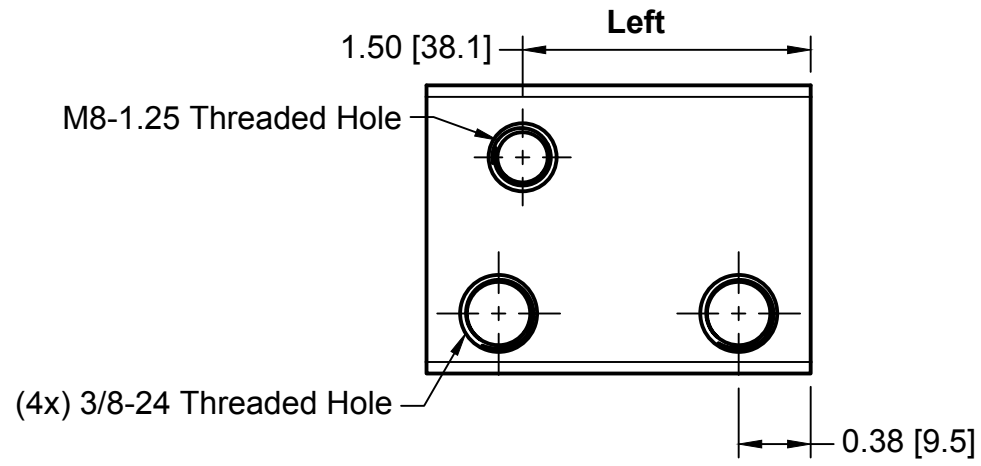
Top



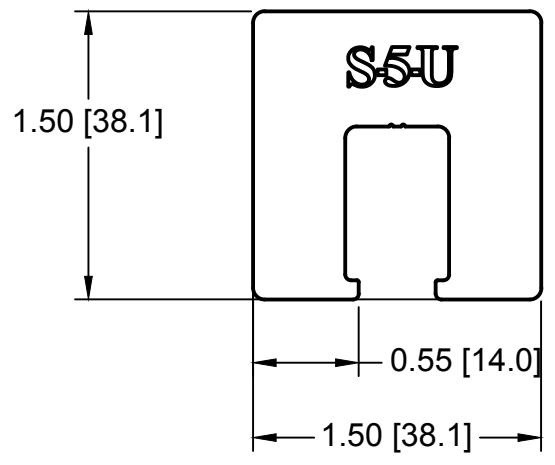
S-5-U



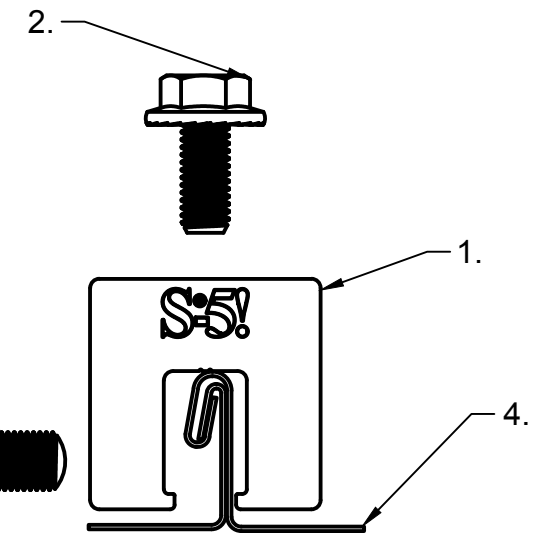
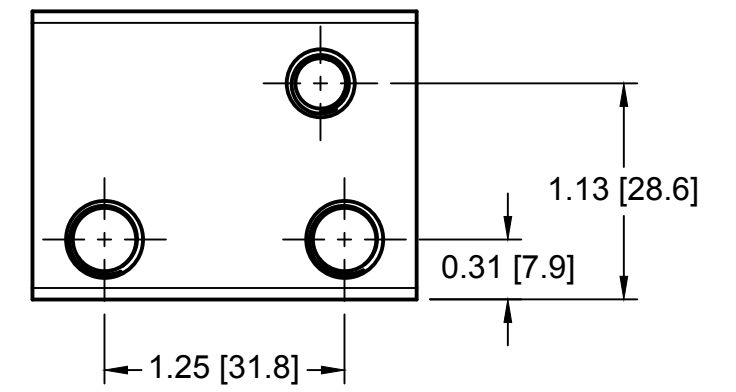
Left



Front



Right



**General Notes:**

1. S-5-U
2. 0.9" 3/8-24 T30 Drive SetScrew
3. M8-1.25 X 17mm (13mm/T30 Torx Drive)
4. Example Roof

MATERIAL: 6000 Series AL		METAL ROOF INNOVATIONS, LTD. 8750 WALKER RD COLORADO SPRINGS, CO 80908 719-495-0518 719-495-0045 (FAX)	
EST ASSEMBLY WT: 0.390 lbs			
HARDWARE: <small>0.9" 3/8-24 Drive SetScrew, M8-1.25 Torx Drive Bit</small>	TITLE S-5-U [CCD]		
	DRAWING NO. U11-B-16-E	DRAWN BY SNLR	DATE 5/3/2022
	SCALE 1:1	FILE NAME U11-B-16-E (S-5-U) [CCD]	
S-5!® PRODUCTS ARE PROTECTED BY MULTIPLE U.S. AND FOREIGN PATENTS. VISIT OUR WEBSITE AT WWW.S-5.COM FOR COMPLETE INFORMATION ON PATENTS AND TRADEMARKS			