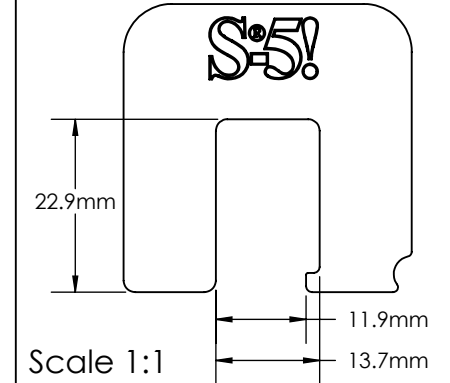
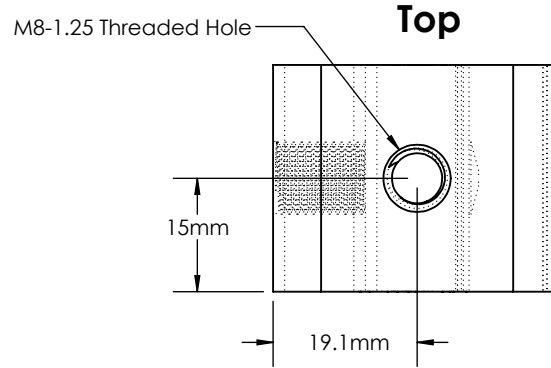
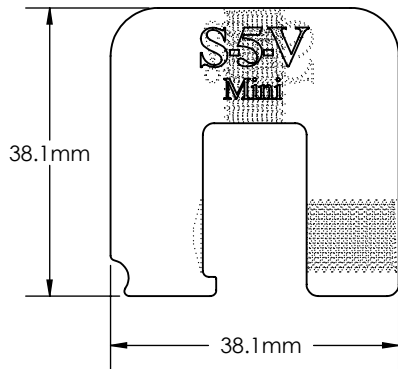


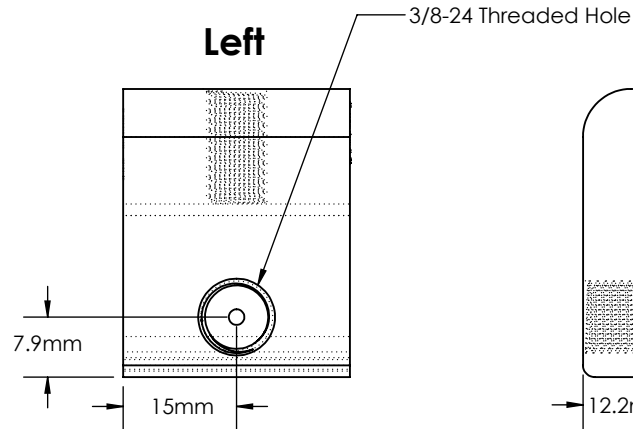
# S-5-V Mini



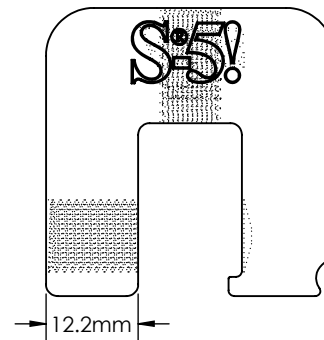
**Back**



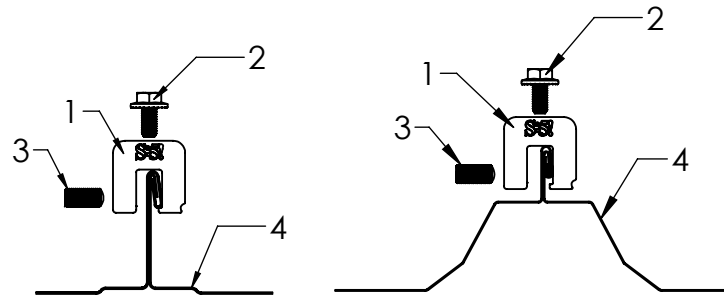
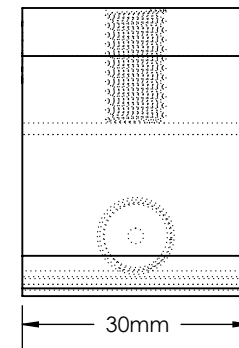
**Left**



**Front**




**Right**



**General Notes:**

1. S-5-V Mini Clamp
2. M8-1.25 Stainless Steel Hex Flange Bolt (13mm Socket)
3. 3/8-24 Stainless Steel Round Point Setscrew (3/16 Hex Drive)
4. Example Roof

**FOR STANDING SEAM SPECIFIC MECHANICAL LOAD TEST INFORMATION AND CLAMP INSTALLATION INFORMATION PLEASE VISIT: [WWW.S-5.COM](http://WWW.S-5.COM)**

MATERIAL: 6061 T6 Al	 METAL ROOF INNOVATIONS, LTD. 8655 TABLE BUTTE RD COLORADO SPRINGS, CO 80908 719-495-0518 719-495-0045(FAX)		
EST ASSEMBLY WEIGHT: 107.95 g			
SUPPLIED HARDWARE: M8-1.25 x 16 mm Bolt 3/8-24 x .800" Setscrew	TITLE S-5-V Mini		
SCALE: 1:1	DRAWING NO. V07-A-1-C	DRAWN BY Kati Kadakas	DATE 4/11/2016
EST. WEIGHTS: Clamp: 84.59 g Setscrew: 7.71 g Bolt: 15.65 g	S-5® PRODUCTS ARE PROTECTED BY MULTIPLE U.S. AND FOREIGN PATENTS. VISIT OUR WEBSITE AT <a href="http://WWW.S-5.COM">WWW.S-5.COM</a> FOR COMPLETE INFORMATION ON PATENTS AND TRADEMARKS.		