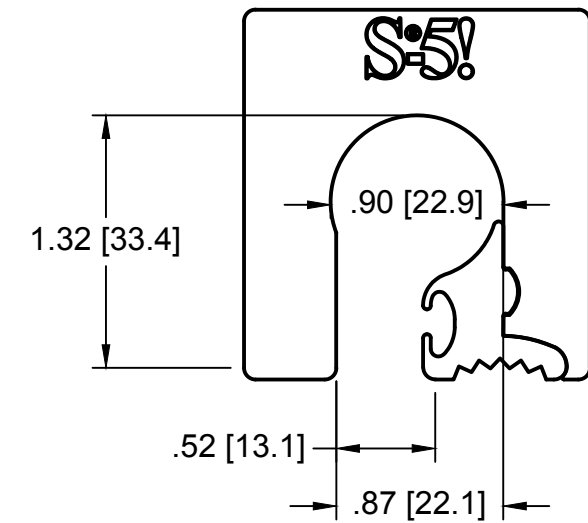
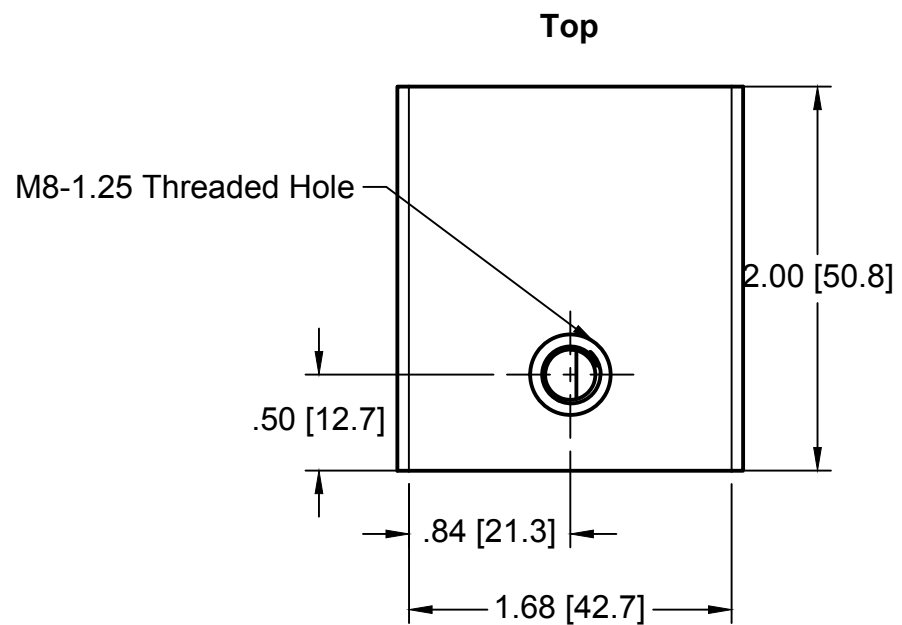
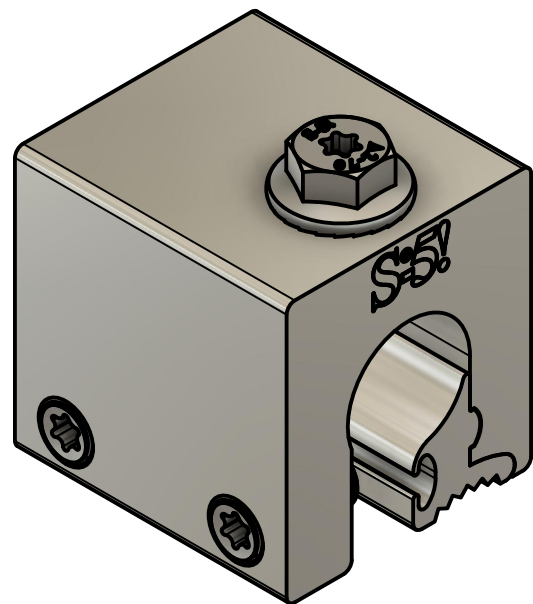
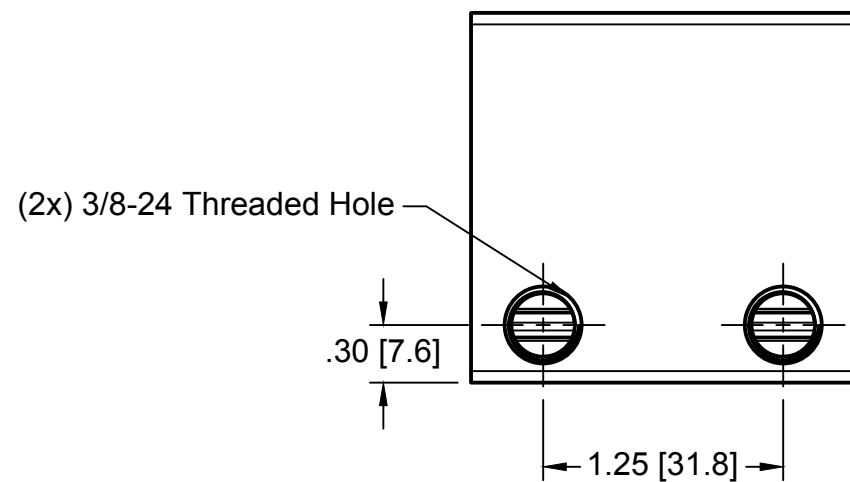


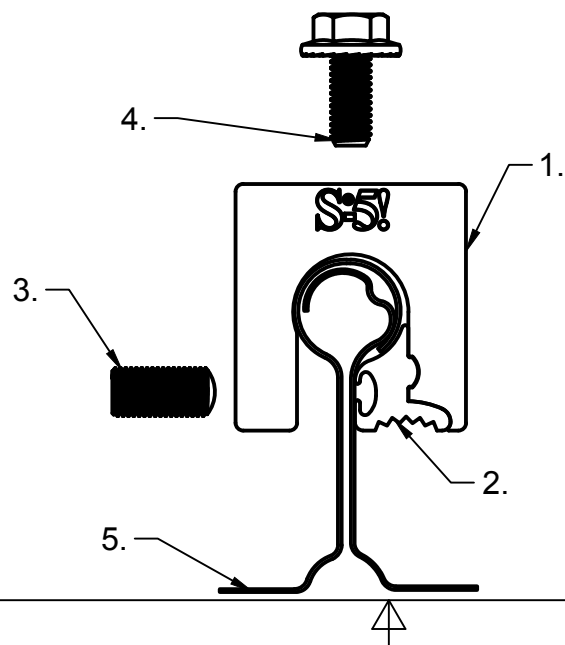
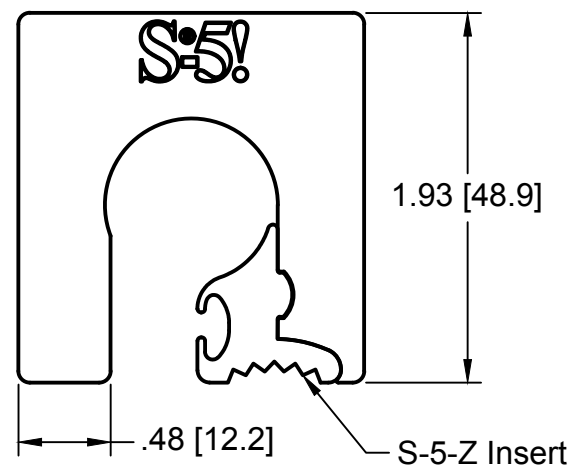
S-5-Z



Left



Front



General Notes:

1. S-5-Z
2. S-5-Z Insert
3. 0.9" 3/8-24 T30 Drive SetScrew
4. M8-1.25 X 17mm (13mm/T30 Torx Drive)
5. Example Roof

MATERIAL:
6000 Series AL
EST ASSEMBLY WT:
0.519 lbs
HARDWARE:
0.9" 3/8-24 T30 Drive SetScrew M8-1.25 Torx Drive Bit



METAL ROOF INNOVATIONS, LTD.
8750 WALKER RD
COLORADO SPRINGS, CO 80908
719-495-0518
719-495-0045 (FAX)

TITLE S-5-Z [CCD]
DRAWING NO. Z12-A-8-D DRAWN BY SNLR DATE 3/15/2022
SCALE 1:1 FILE NAME Z12-A-8-D (S-5-Z) [CCD]

S-5!® PRODUCTS ARE PROTECTED BY MULTIPLE U.S. AND FOREIGN PATENTS.
VISIT OUR WEBSITE AT WWW.S-5.COM FOR COMPLETE INFORMATION ON
PATENTS AND TRADEMARKS