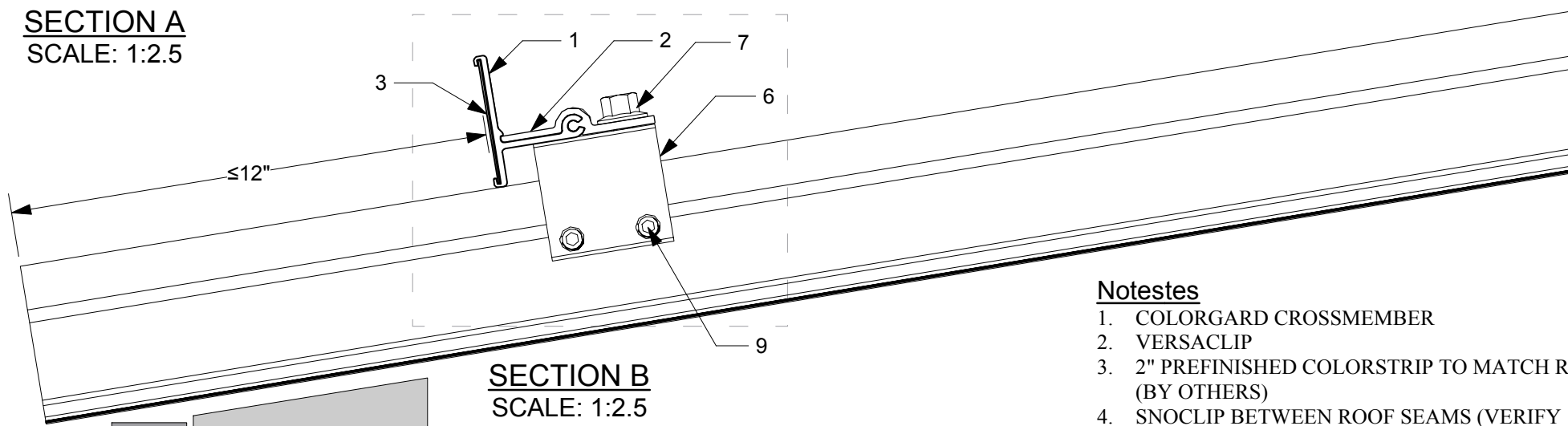
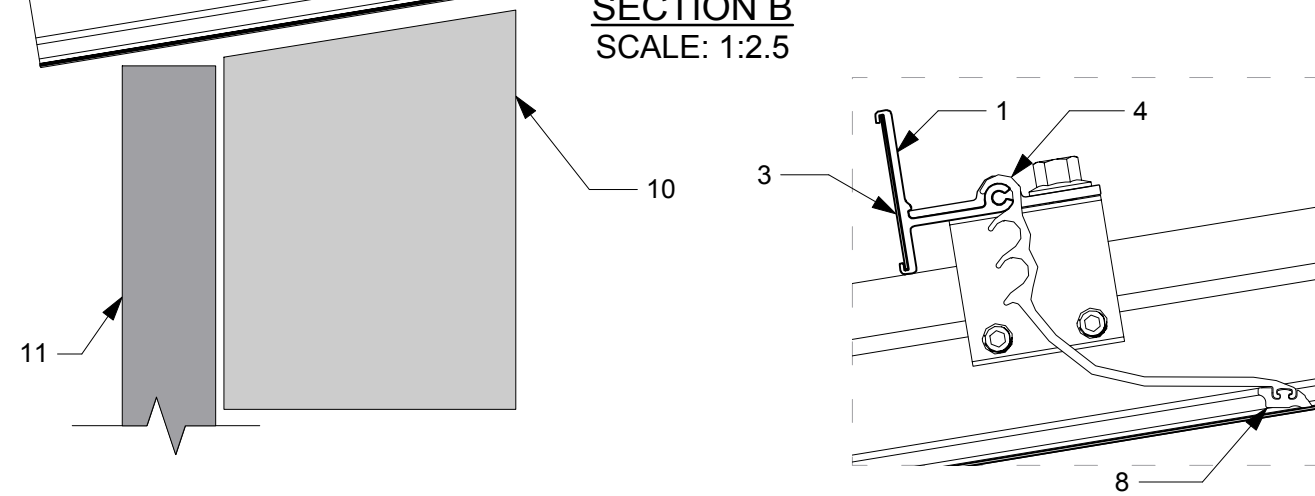


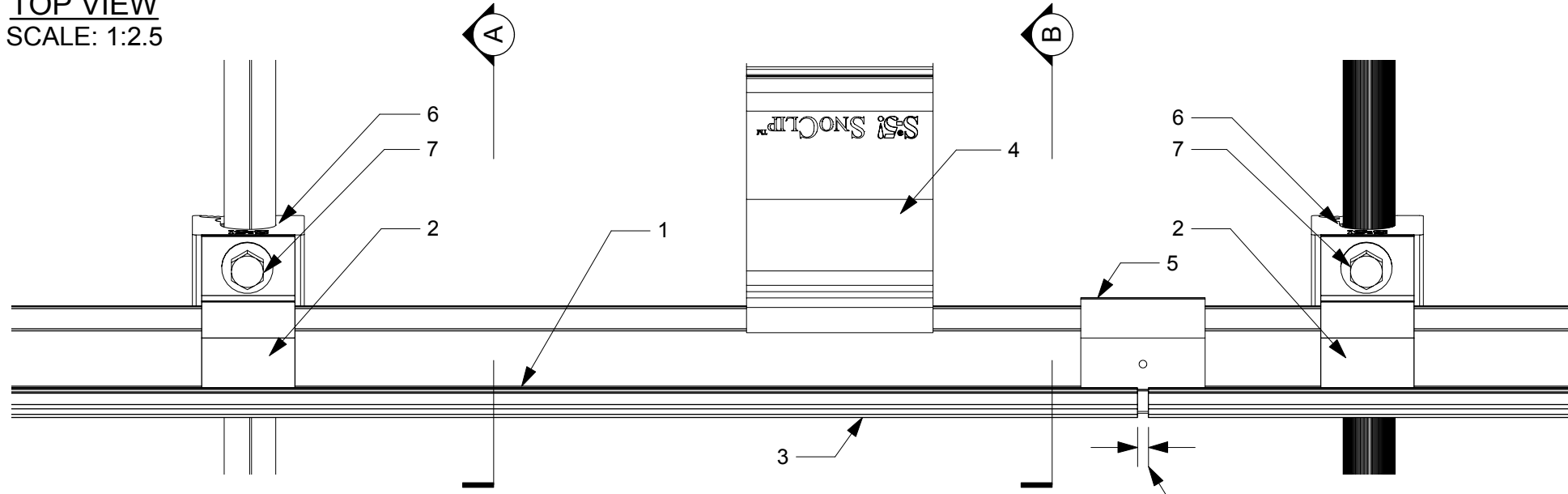
SECTION A
SCALE: 1:2.5



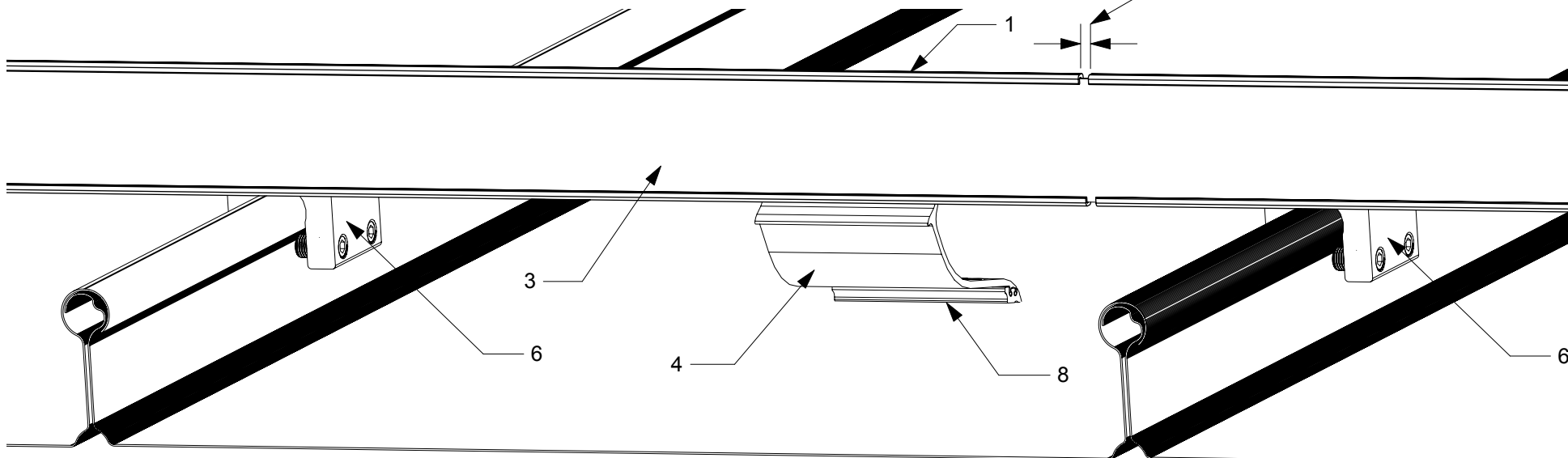
SECTION B
SCALE: 1:2.5



TOP VIEW
SCALE: 1:2.5



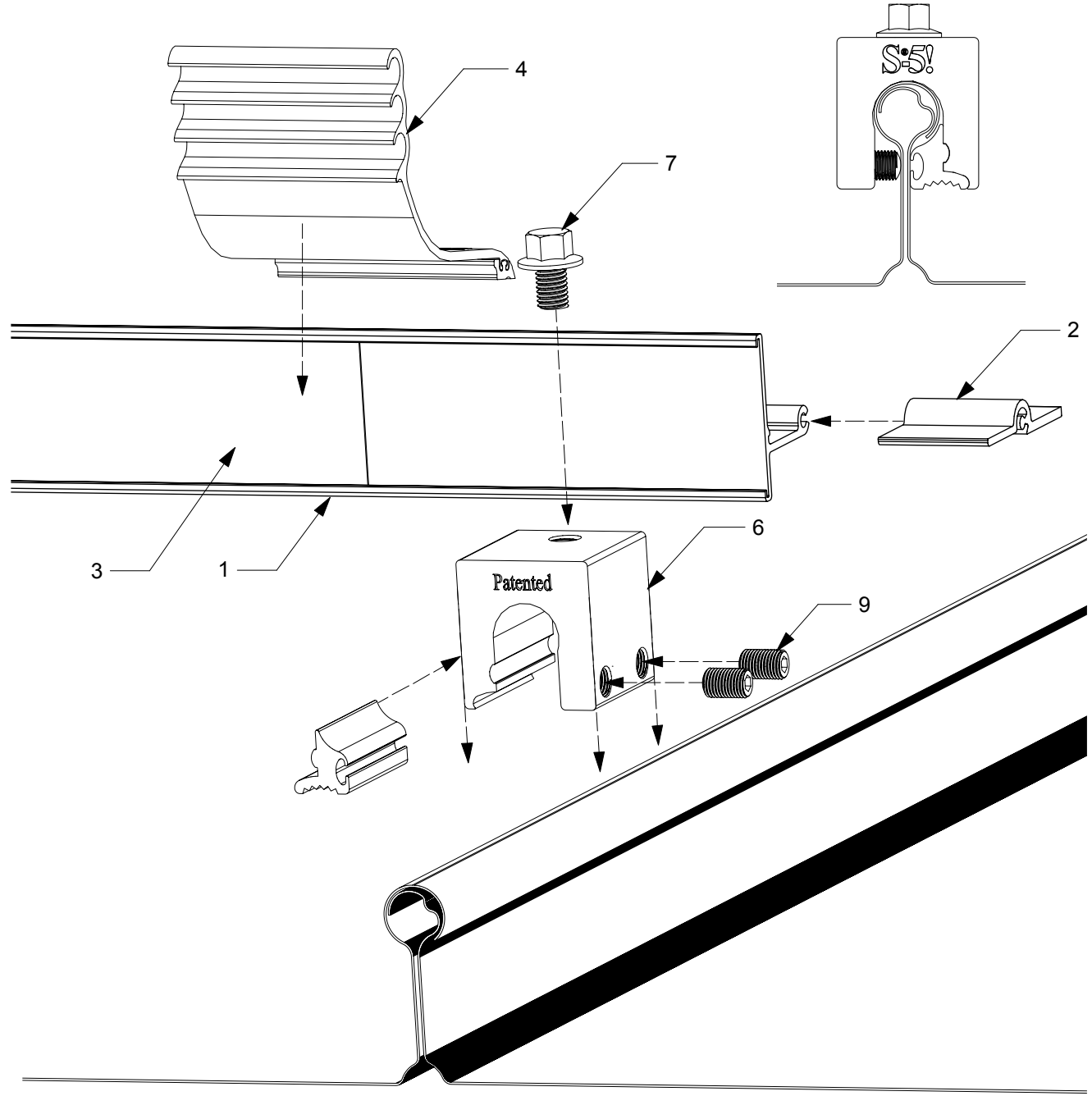
ASSEMBLY
SCALE: 1:2.5



Notes

1. COLORGARD CROSSMEMBER
2. VERSACLIP
3. 2" PREFINISHED COLORSTRIP TO MATCH ROOF (BY OTHERS)
4. SNOCLIP BETWEEN ROOF SEAMS (VERIFY SNOCLIP MODEL WITH ROOF SEAM HEIGHT)
5. COLORGARD SPLICE
6. S-5-Z CLAMP
7. M10-1.5 x 0.62" HEX FLANGE BOLT
8. RUBBER FOOT TOE
9. 3/8-24 x 0.8" ROUND POINT SETSCREW
10. EAVE STRUCTURE
11. SIDING MATERIAL
12. SPACE FOR THERMAL EXPANSION

COMPONENTS
SCALE: 1:2



DRAWING TITLE:
S-5-Z
ColorGard Assembly

DRAWING NUMBER:
S-5-ZCG 100

ISSUE DATE:
September 18, 2013

CLAMP:
S-5-Z

CLAMP WEBPAGE:
http://www.s-5.com/clamps/index_903.cfm

METAL ROOF INNOVATIONS, LTD.
8655 TABLE BUTTE RD
COLORADO SPRINGS, CO 80908

CROSS MEMBER:
Unpunched ColorGard

CROSS MEMBER WEBPAGE:
http://www.s-5.com/snow/index_1146.cfm

719-495-0518
888-825-3432
www.S-5.com

CALCULATOR:
Calculator

CALCULATOR WEBPAGE:
<http://www.s-5.com/calculator/index.cfm>

S-5!® PRODUCTS ARE PROTECTED BY MULTIPLE U.S. PATENTS INCLUDING 5,228,248, 5,983,588 AND 6,164,033 (OTHERS ISSUED AND PENDING). EUROPEAN PATENTS ARE ALSO APPLIED FOR AND PENDING UNDER THE PATENT COOPERATION TREATY WITH DIVISIONAL FILING RIGHTS RETAINED. METAL ROOF INNOVATIONS, LTD. (LICENSOR OF S-5!® TECHNOLOGY) AGGRESSIVELY PROSECUTES PATENT INFRINGEMENT.