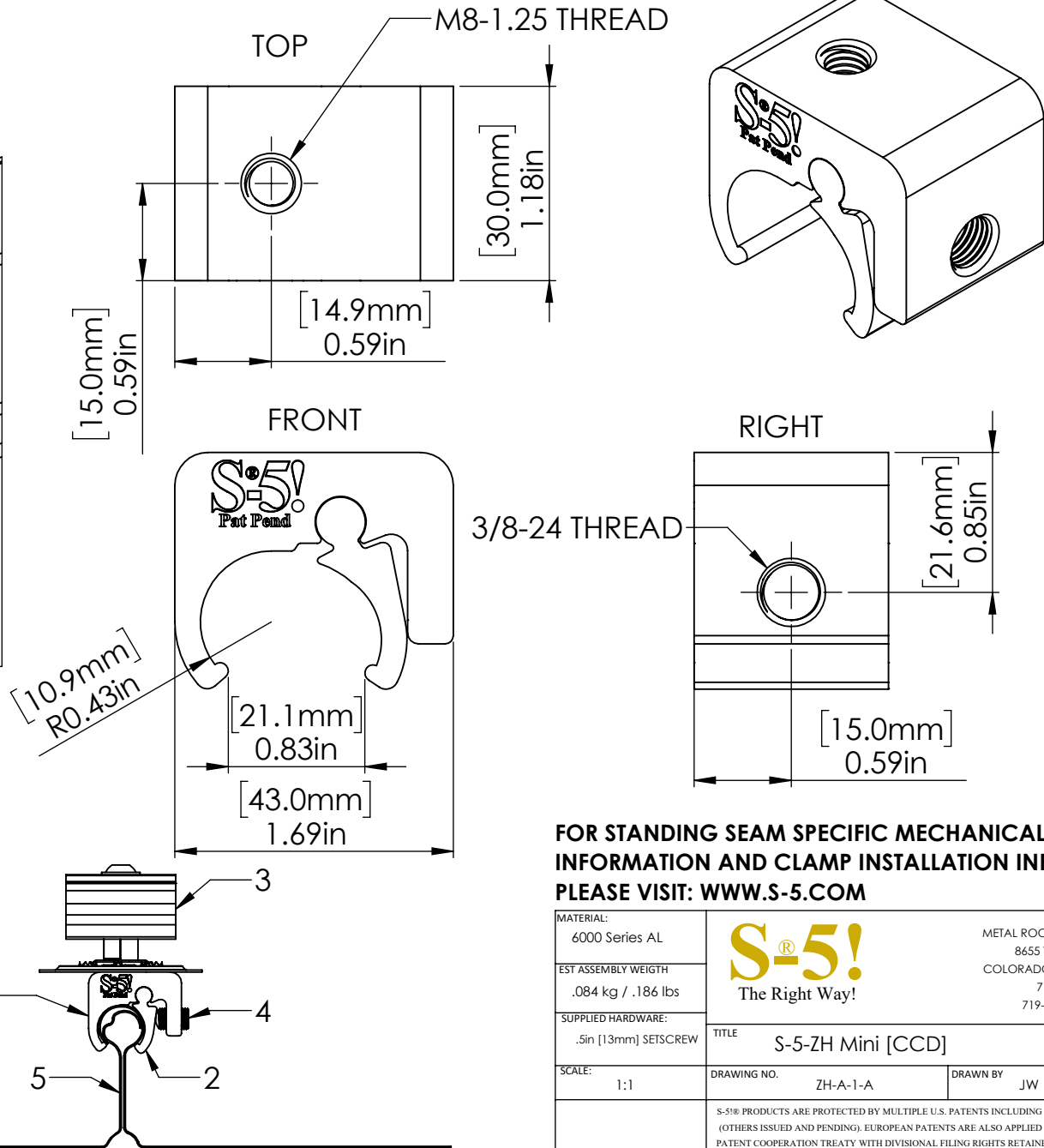



PVKIT 2.0 SOLD SEPERATELY

General Notes:

1. S-5-ZH Mini
2. S-5-ZH Mini Insert
3. PVKIT 2.0
4. 0.5" [13mm] Round Point Setscrew with T-30 Drive
5. Example Bulb Roof



FOR STANDING SEAM SPECIFIC MECHANICAL LOAD TEST INFORMATION AND CLAMP INSTALLATION INFORMATION PLEASE VISIT: WWW.S-5.COM

MATERIAL: 6000 Series AL			METAL ROOF INNOVATIONS, LTD. 8655 TABLE BUTTE RD COLORADO SPRINGS, CO 80908 719-495-0518 719-495-0045(FAX)	
EST ASSEMBLY WEIGHT .084 kg / .186 lbs			TITLE S-5-ZH Mini [CCD]	
SUPPLIED HARDWARE: .5in [13mm] SETSCREW	SCALE: 1:1	DRAWING NO. ZH-A-1-A	DRAWN BY JW	DATE 8/17/2020
<small>S-5!® PRODUCTS ARE PROTECTED BY MULTIPLE U.S. PATENTS INCLUDING 5,228,248, 5,983,588 AND 6,164,033 (OTHERS ISSUED AND PENDING). EUROPEAN PATENTS ARE ALSO APPLIED FOR AND PENDING UNDER THE PATENT COOPERATION TREATY WITH DIVISIONAL FILING RIGHTS RETAINED. METAL ROOF INNOVATIONS, LTD. (LICENSOR OF S-5!® TECHNOLOGY) AGGRESSIVELY PROSECUTES PATENT INFRINGEMENT.</small>				