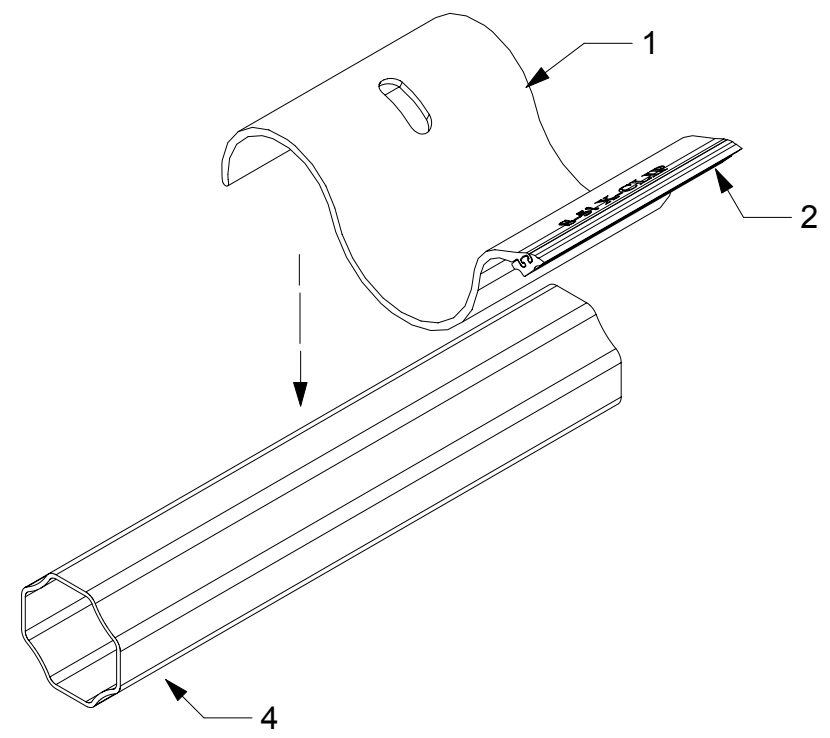
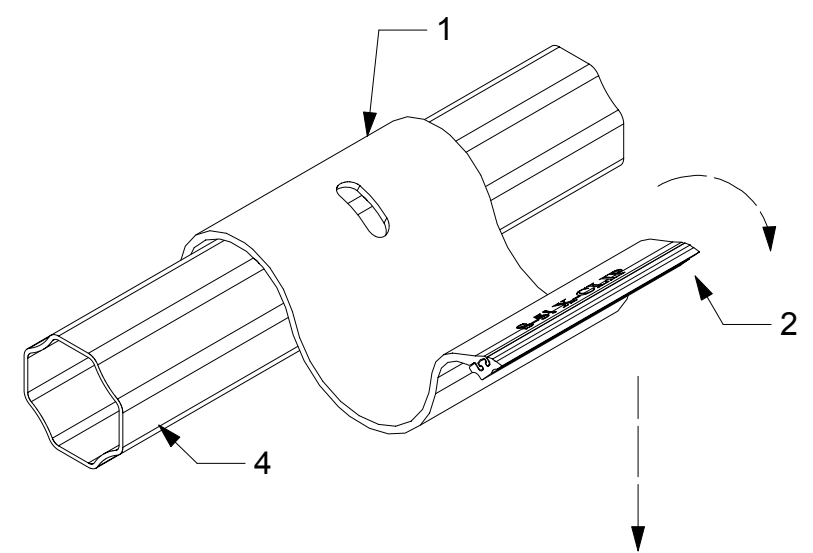


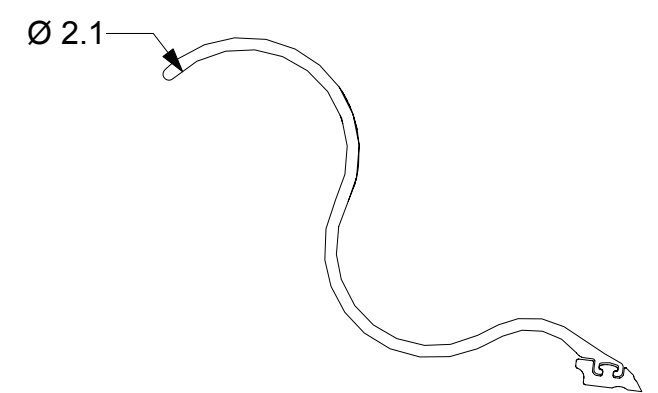
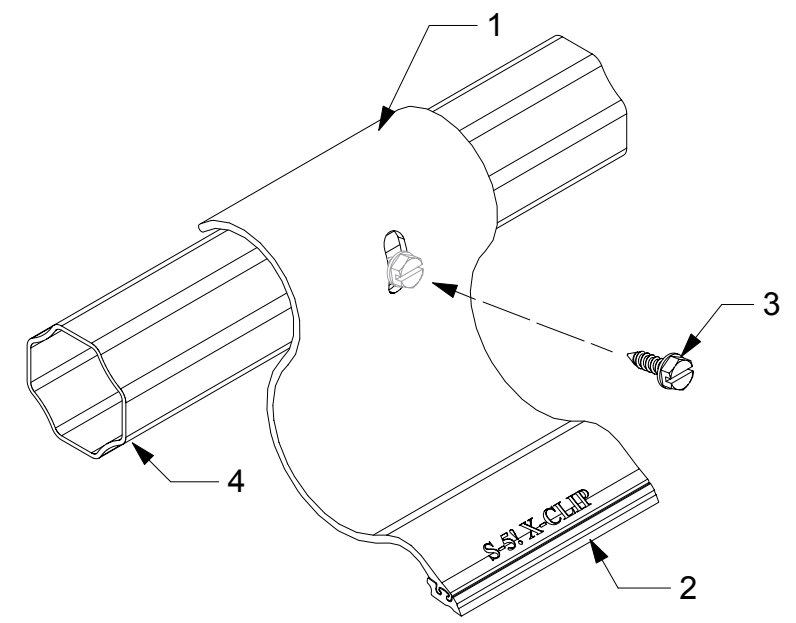
1. SNAP THE X-CLIP II TO NEX PIPE




2. TURN THE X-CLIP II DOWN



3. MAKE SURE THE RUBBER FOOT OF X-CLIP II ENGAGES ROOF PANEL AND TIGHTEN THE SCREW



- Notes**
1. X-CLIP II
 2. RUBBER FOOT TOE
 3. #14 x 7/8" STAINLESS SELF-DRILLING SCREW
 4. NEX PIPE CROSSMEMBER
 5. XGARD
 6. M10 STAINLESS HEX FLANGE BOLT
 7. TOP OF THE SEAM

MATERIAL: 6000 SERIES AL	 <p>S-5! The Right Way!</p>	METAL ROOF INNOVATIONS, LTD. 8655 TABLE BUTTE RD COLORADO SPRINGS, CO 80908 719-495-0518 719-495-0045 (FAX)	
EST ASSEMBLY WEIGHT :		TITLE X-Clip II	
SUPPLIED HARDWARE:	DRAWING NO. XC2-A CCD	DRAWN BY DMH	DATE 06/27/2014
SCALE: 1:2.75	S-5!® PRODUCTS ARE PROTECTED BY MULTIPLE U.S. PATENTS INCLUDING 5,228,248, 5,983,588 AND 6,164,033 (OTHERS ISSUED AND PENDING). EUROPEAN PATENTS ARE ALSO APPLIED FOR AND PENDING UNDER THE PATENT COOPERATION TREATY WITH DIVISIONAL FILING RIGHTS RETAINED. METAL ROOF INNOVATIONS, LTD. (LICENSOR OF S-5!® TECHNOLOGY) AGGRESSIVELY PROSECUTES PATENT INFRINGEMENT.		
OTHER:			