

PROJECT:	Circulators	UNIT TAG:	_____	QUANTITY:	1
REPRESENTATIVE:	Hurley Engineering	TYPE OF SERVICE:	Recirculation	DATE:	_____
ENGINEER:	TBD	SUBMITTED BY:	Devin Carle	DATE:	_____
CONTRACTOR:	TBD	APPROVED BY:	_____	DATE:	_____
		ORDER NO.:	_____	DATE:	_____

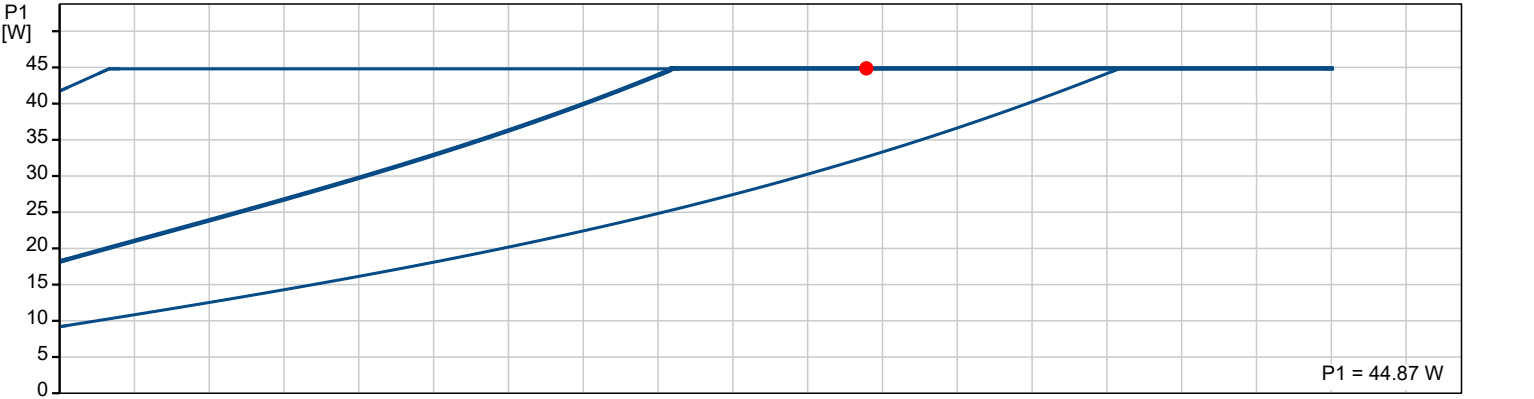
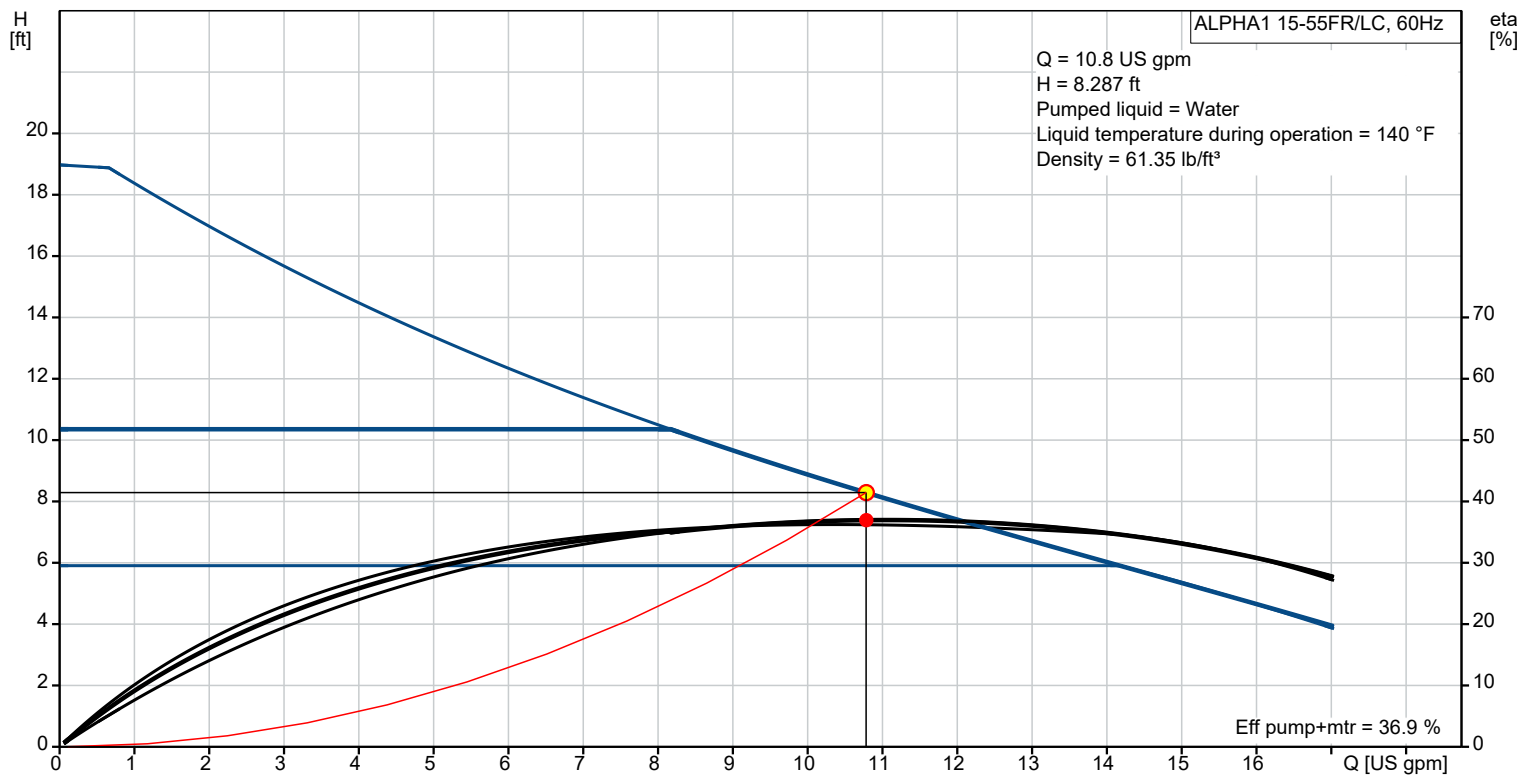


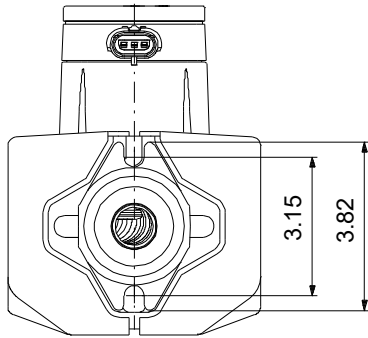
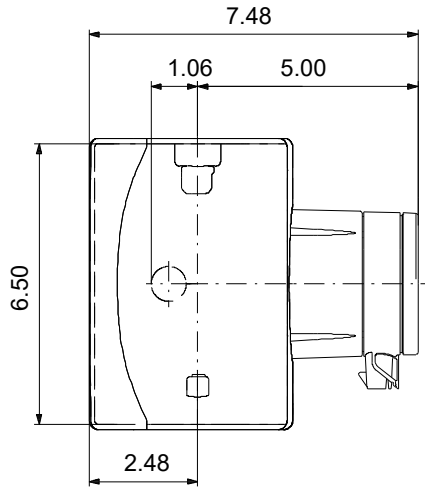
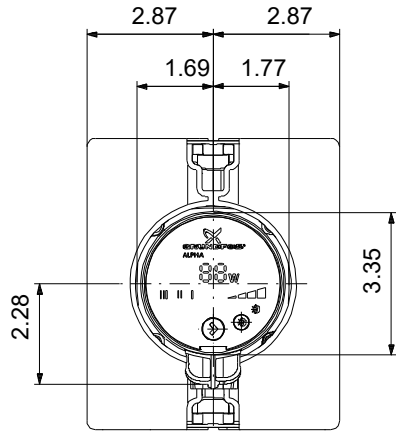
ALPHA1 15-55FR/LC

Featuring three constant-pressure control modes, The Grundfos ALPHA1 is a high-efficiency ECM variable speed circulator designed for a wide variety of heating.

Product photo could vary from the actual product

Conditions of Service		Pump Data		Motor Data	
Flow:	10.8 US gpm	Maximum operating pressure:	145.04 psi	P1 max:	5 .. 45 W
Head:	8.287 ft	Liquid temperature range:	35.6 .. 230 °F	Rated voltage:	115 V
Efficiency:	36.9 %	Maximum ambient temperature:	104 °F	Main frequency:	60 Hz
Liquid:	Water	Approvals:	ETL, FCC	Enclosure class:	IP42
Temperature:	140 °F	Pipe connection:	1 1/2	Insulation class:	F
NPSH required:	ft	Product number:	On request	Motor protection:	NONE
Specific Gravity:	0.985			Thermal protection:	ELEC





Materials:

Pump housing: Cast iron

Pump housing: EN 1561 EN-GJL-150

Impeller: Composite

Count	Description
-------	-------------

1	ALPHA1 15-55FR/LC
---	-------------------



Product photo could vary from the actual product

Product No.: On request

The Grundfos ALPHA1 is a high-efficiency, variable speed circulator fitted with electronically commutated motor. Designed for circulating liquids in heating systems.

It features a constant pressure control mode with three settings. The intuitive one-button operation and LED display makes the selection of the settings easy. The large LED display shows the current energy consumption in Watts and estimated flow in gallons per minute.

ALPHA1 materials and design are resistant to blockage from magnetite found in hydronic systems.

The robust startup enables ALPHA1 to continuously attempt to restart – indefinitely – in blocked rotor conditions.

ALPHA1 is complete with an integrated check-valve, and nut captures for flanges.

For power connection two options are available with either line cord or terminal box for conduit connections.

Liquid:

Pumped liquid: Water
 Liquid temperature range: 35.6 .. 230 °F
 Selected liquid temperature: 140 °F
 Density: 61.35 lb/ft³

Technical:

Actual calculated flow: 10.8 US gpm
 Resulting head of the pump: 8.287 ft
 TF class: 110
 Approvals on nameplate: ETL, FCC

Materials:

Pump housing: Cast iron
 EN 1561 EN-GJL-150
 Impeller: Composite

Installation:

Range of ambient temperature: 32 .. 104 °F
 Maximum operating pressure: 145.04 psi
 Type of connection: GF
 Pipe connection: 1 1/2
 Pressure stage: PN 10
 Port-to-port length: 6 1/2 in

Electrical data:

Power input - P1: 5 .. 45 W
 Main frequency: 60 Hz
 Rated voltage: 1 x 115 V
 Maximum current consumption: 0.1 .. 0.65 A
 Enclosure class (IEC 34-5): IP42
 Insulation class (IEC 85): F

Others:

Net weight: 6.48 lb
 Gross weight: 7.24 lb
 Shipping volume: 0.28 ft³



Company name: Hurley Engineering

Created by:

Phone:

Date:

4/22/2021

Count	Description
	Country of origin: US Custom tariff no.: 8413.70.2005



Company name: Hurley Engineering

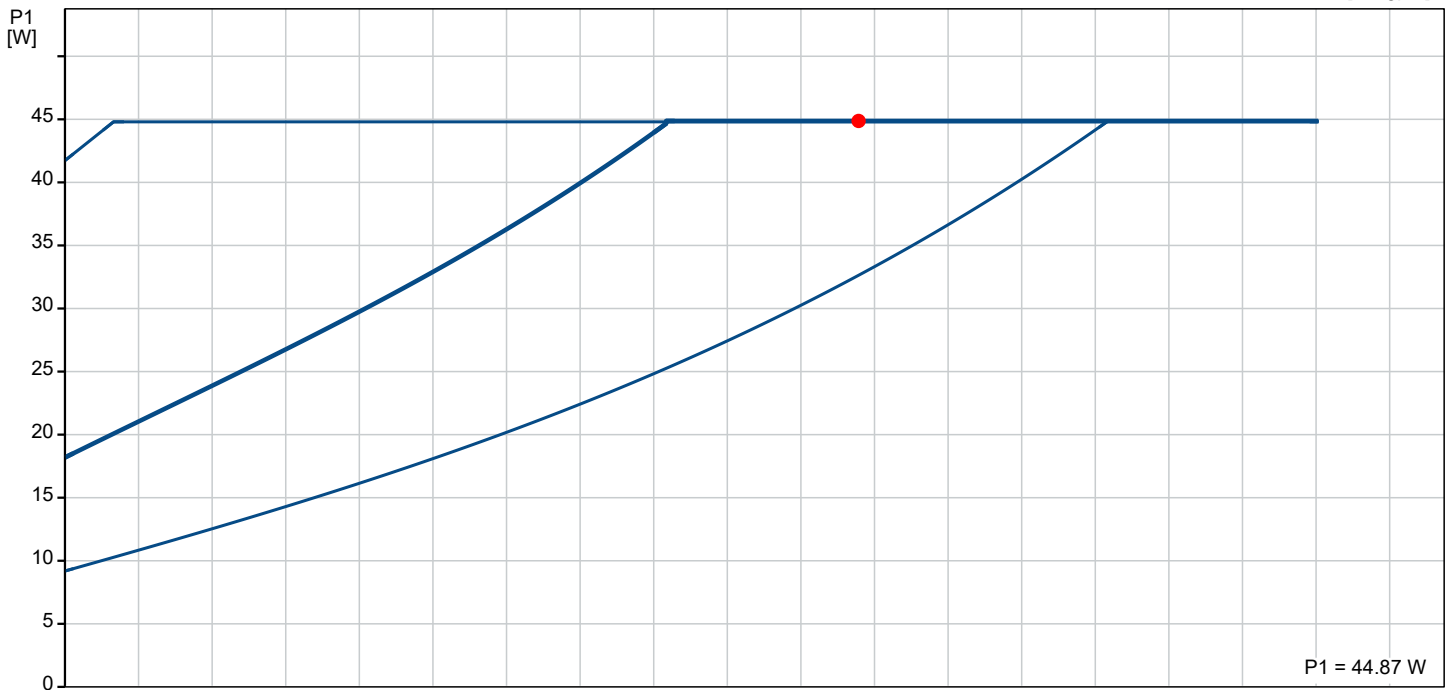
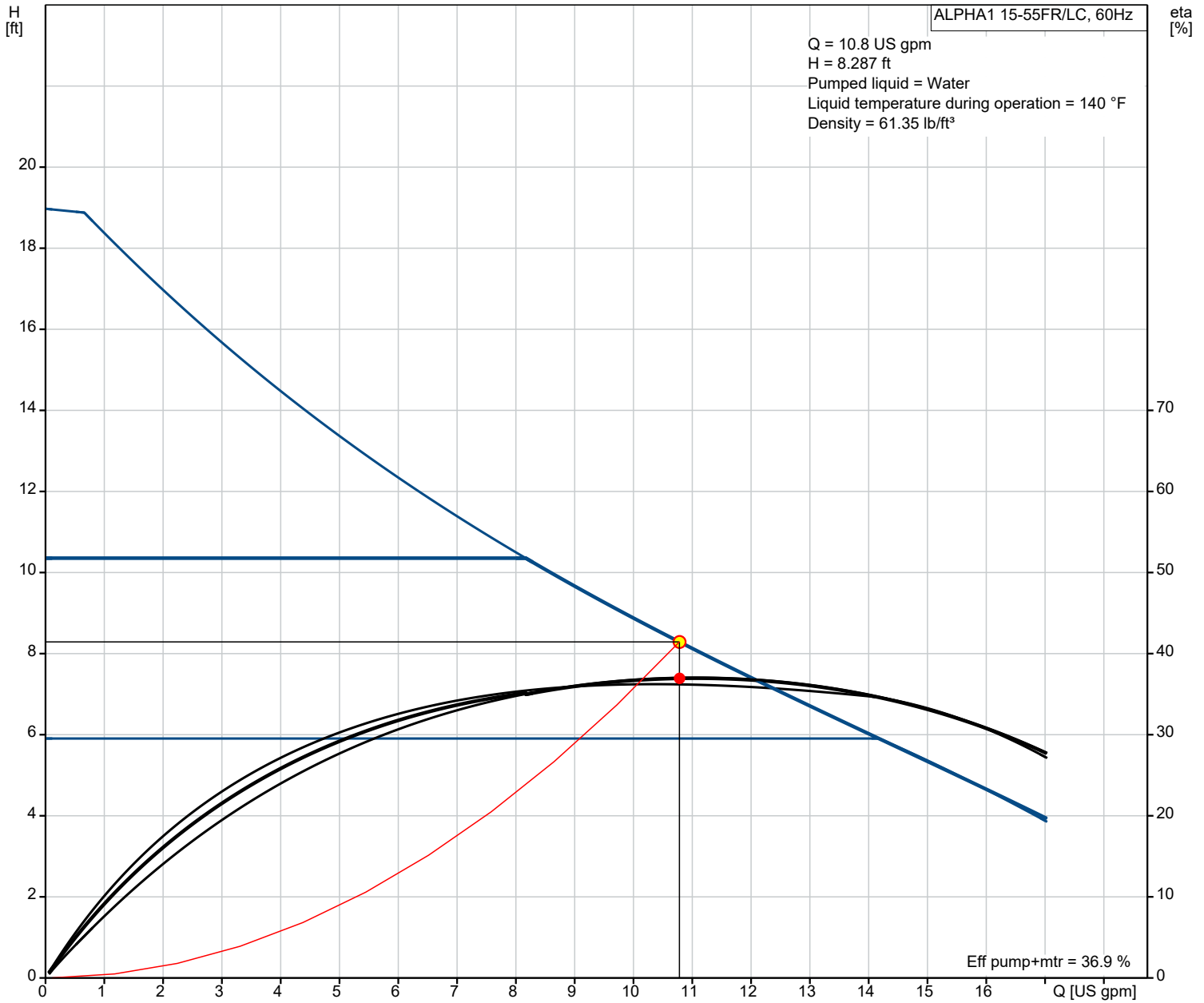
Created by:

Phone:

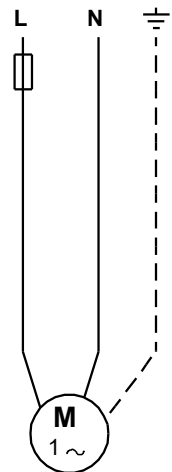
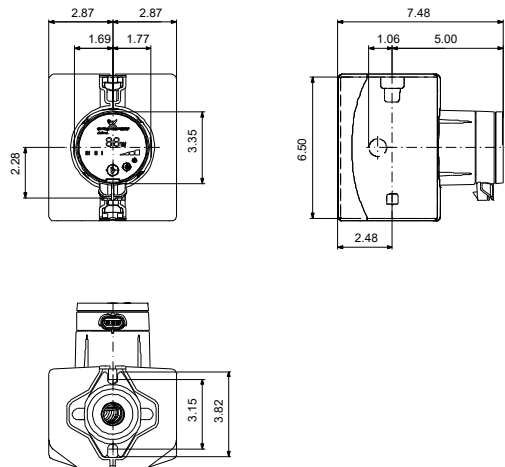
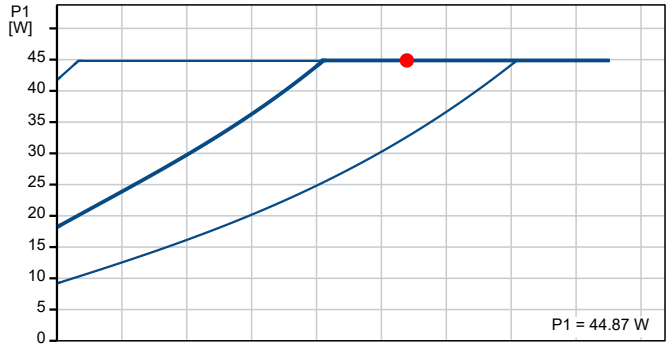
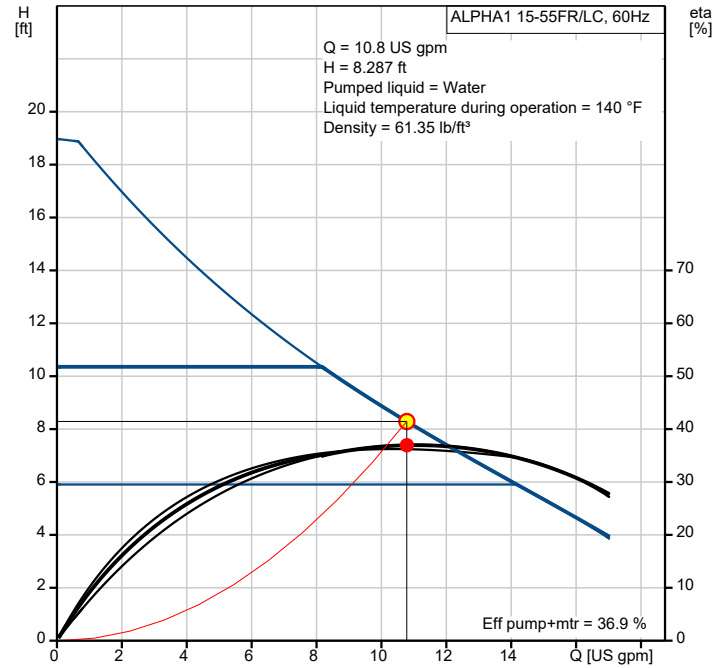
Date:

4/22/2021

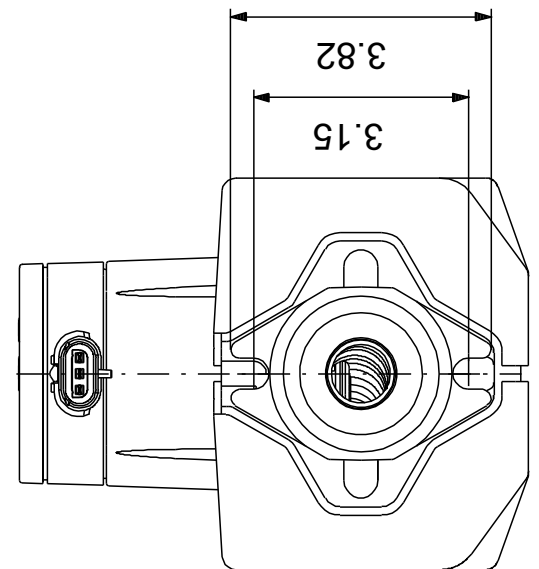
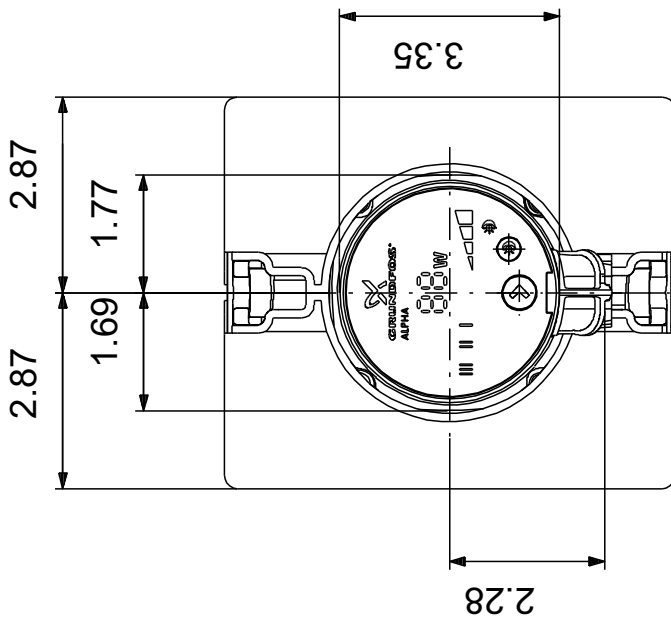
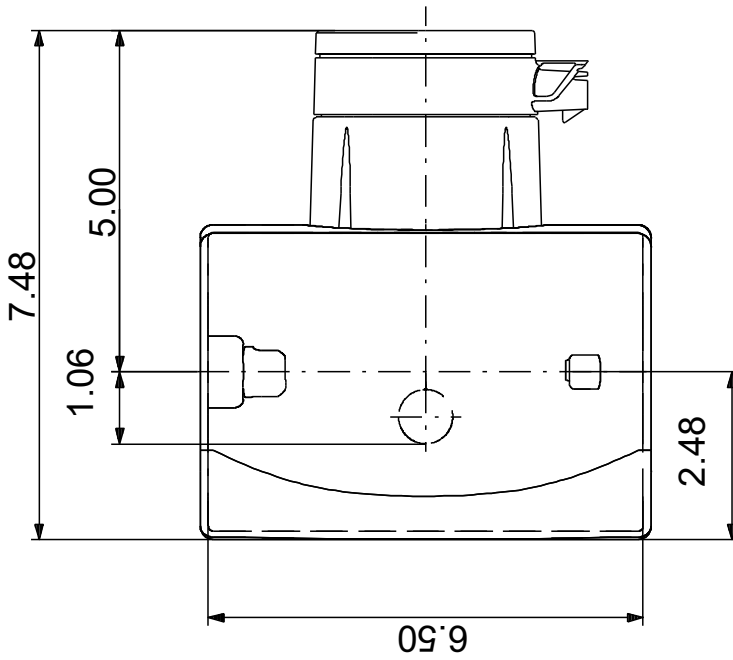
On request ALPHA1 15-55FR/LC 60 Hz



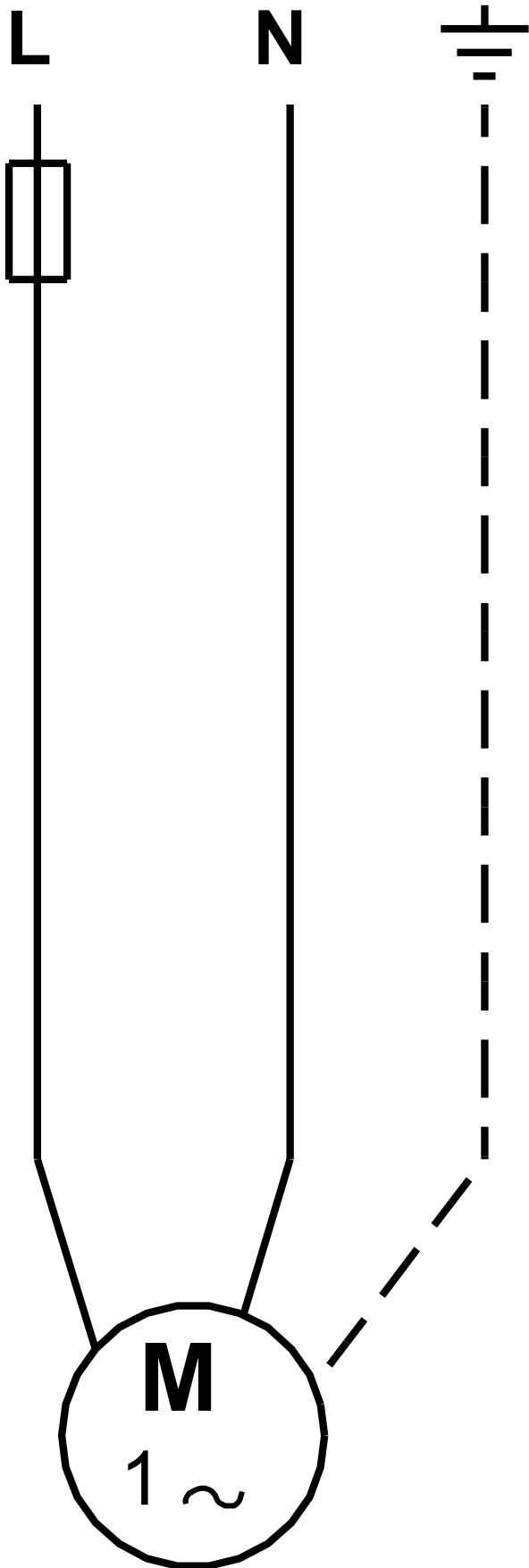
Description	Value
General information:	
Product name:	ALPHA1 15-55FR/LC
Product No.:	On request
EAN:	On request
Technical:	
Actual calculated flow:	10.8 US gpm
Resulting head of the pump:	8.287 ft
Head max:	18.05 ft
TF class:	110
Approvals on nameplate:	ETL, FCC
Materials:	
Pump housing:	Cast iron
Pump housing:	EN 1561 EN-GJL-150
Impeller:	Composite
Installation:	
Range of ambient temperature:	32 .. 104 °F
Maximum operating pressure:	145.04 psi
Type of connection:	GF
Pipe connection:	1 1/2
Pressure stage:	PN 10
Port-to-port length:	6 1/2 in
Liquid:	
Pumped liquid:	Water
Liquid temperature range:	35.6 .. 230 °F
Selected liquid temperature:	140 °F
Density:	61.35 lb/ft ³
Electrical data:	
Power input - P1:	5 .. 45 W
Main frequency:	60 Hz
Rated voltage:	1 x 115 V
Maximum current consumption:	0.1 .. 0.65 A
Enclosure class (IEC 34-5):	IP42
Insulation class (IEC 85):	F
Motor protection:	NONE
Thermal protec:	ELEC
Controls:	
Pos term box:	6H
Others:	
Net weight:	6.48 lb
Gross weight:	7.24 lb
Shipping volume:	0.28 ft ³
Sales region:	USA
Country of origin:	US
Custom tariff no.:	8413.70.2005



On request ALPHA1 15-55FR/LC 60 Hz



On request ALPHA1 15-55FR/LC 60 Hz





Company name: Hurley Engineering

Created by:

Phone:

Date:

4/22/2021

Order Data:

Product name: ALPHA1 15-55FR/LC

Amount: 1

Product No.: On request

Total: Price on request
