

PROJECT:	Circulators	UNIT TAG:	_____	QUANTITY:	1
REPRESENTATIVE:	Hurley Engineering	TYPE OF SERVICE:	Recirculation	DATE:	_____
ENGINEER:	TBD	SUBMITTED BY:	Devin Carle	DATE:	_____
CONTRACTOR:	TBD	APPROVED BY:	_____	DATE:	_____
		ORDER NO.:	_____	DATE:	_____

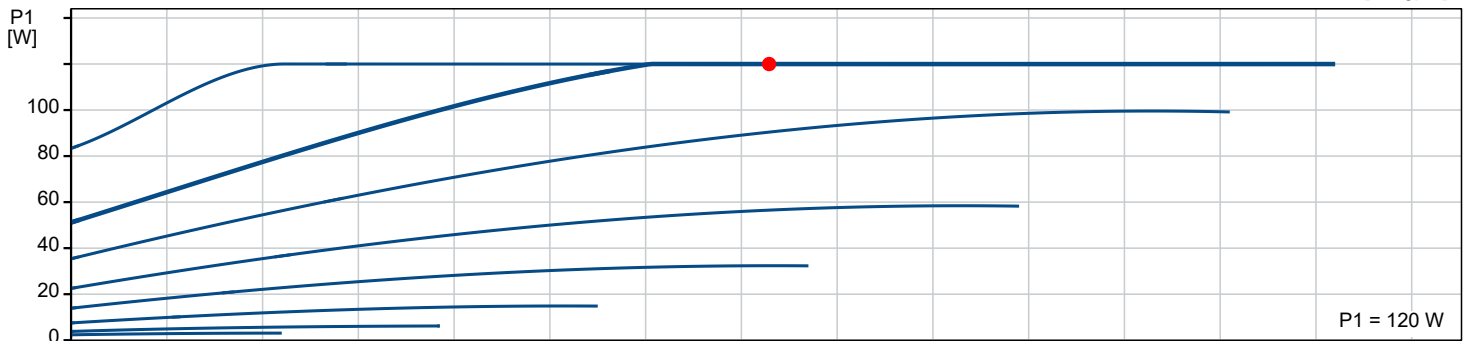
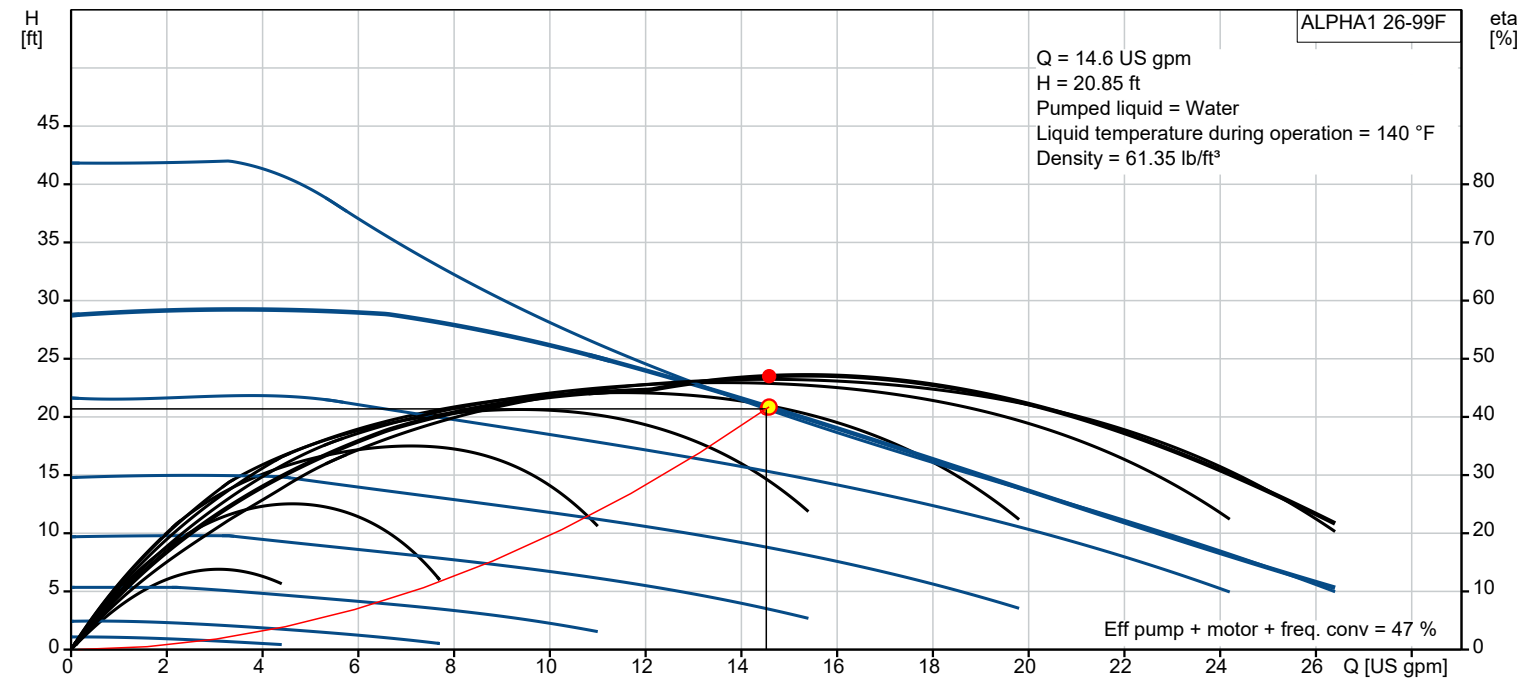


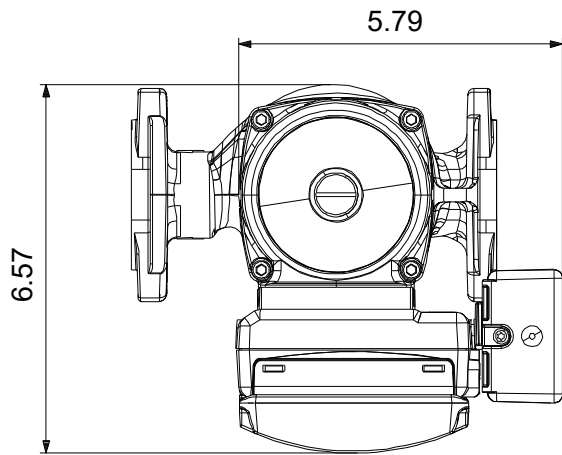
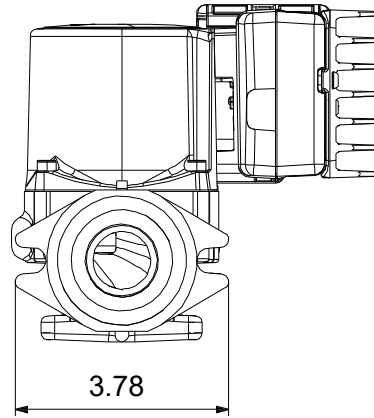
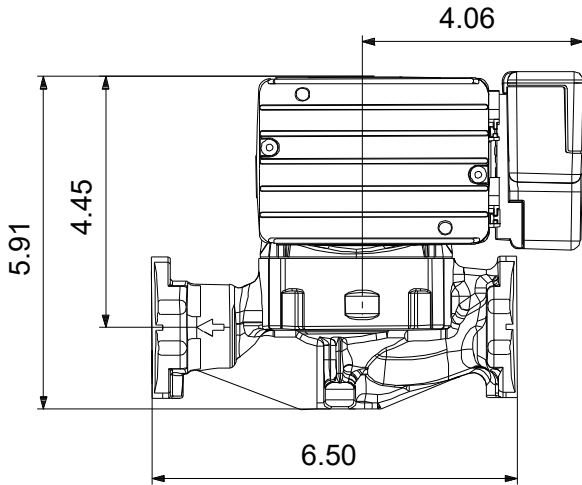
ALPHA1 26-99F

The Grundfos ALPHA1 26-99 is a medium sized, high-efficiency ECM variable speed circulator designed for a wide variety of heating and cooling applications. Featuring a 0-10V analog input for speed control and an alarm output signal.

Product photo could vary from the actual product

Conditions of Service		Pump Data		Motor Data	
Flow:	14.6 US gpm	Maximum operating pressure:	145.04 psi	P1 max:	3 .. 120 W
Head:	20.85 ft	Liquid temperature range:	14 .. 203 °F	Rated voltage:	115 V
Efficiency:	47 %	Maximum ambient temperature:	131 °F	Main frequency:	60 Hz
Liquid:	Water	Approvals:	UL	Enclosure class:	IP42
Temperature:	140 °F	Pipe connection:	1 1/4	Insulation class:	F
NPSH required:	ft	Product number:	On request	Motor protection:	NONE
Specific Gravity:	0.985			Thermal protection:	ELEC





Materials:

Pump housing: Cast iron

Pump housing: EN 1561 EN-GJL-150

Impeller: Composite

Count	Description
-------	-------------

1	ALPHA1 26-99F
---	---------------



Product photo could vary from the actual product

Product No.: On request

The Grundfos ALPHA1 is a medium sized high-efficiency, variable speed circulator fitted with electronically commutated motor. Designed for circulating liquids in heating and hot water recirculation systems.

The pump is externally controlled via a low-voltage 0-10 VDC signal by a system controller integrated in a boiler or a building management system. The pump will run at its maximum speed if no signal is present or it fails (e.g. cable break).

ALPHA1 materials and design are resistant to blockage from magnetite found in hydronic systems.

ALPHA1 is complete with an integrated check-valve.

Liquid:

Pumped liquid:	Water
Liquid temperature range:	14 .. 203 °F
Selected liquid temperature:	140 °F
Density:	61.35 lb/ft ³

Technical:

Actual calculated flow:	14.6 US gpm
Resulting head of the pump:	20.85 ft
TF class:	110
Approvals on nameplate:	UL

Materials:

Pump housing:	Cast iron EN 1561 EN-GJL-150
Impeller:	Composite

Installation:

Range of ambient temperature:	32 .. 131 °F
Maximum operating pressure:	145.04 psi
Type of connection:	GF
Pipe connection:	1 1/4
Pressure stage:	PN 10
Port-to-port length:	6 1/2 in

Electrical data:

Power input - P1:	3 .. 120 W
Main frequency:	60 Hz
Rated voltage:	1 x 115 V
Maximum current consumption:	0.05 .. 1.7 A
Enclosure class (IEC 34-5):	IP42
Insulation class (IEC 85):	F

Others:

Net weight:	8.08 lb
Gross weight:	8.86 lb
Shipping volume:	0.28 ft ³



Company name: Hurley Engineering

Created by:

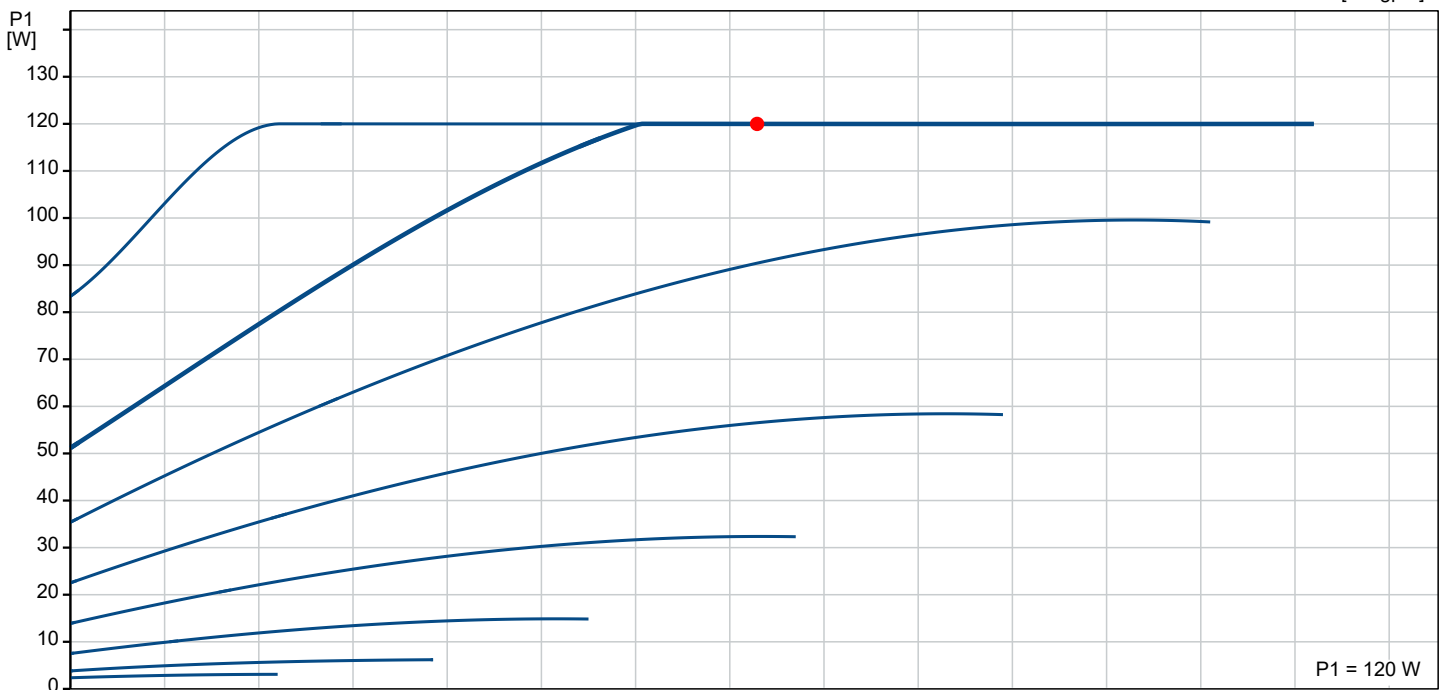
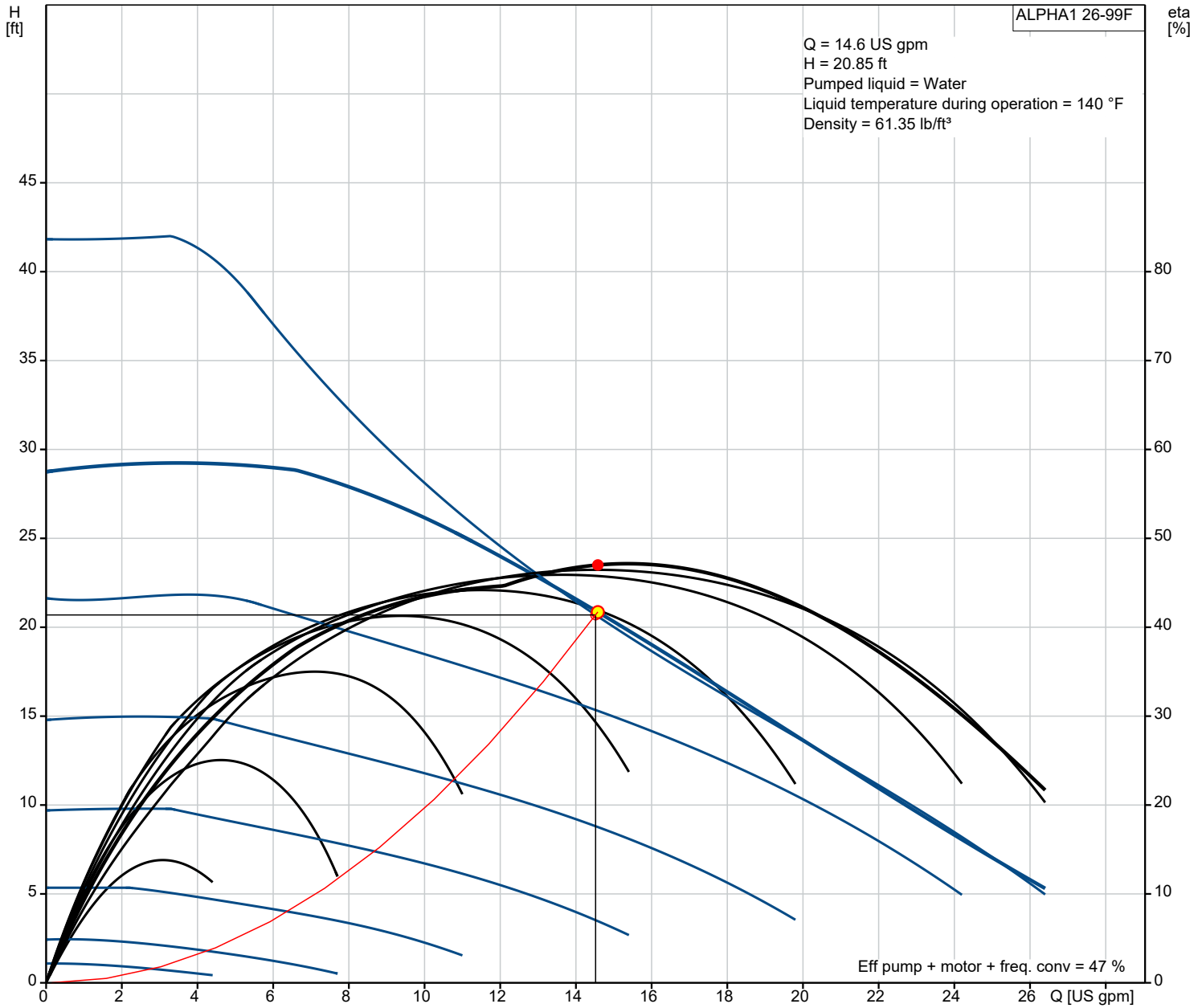
Phone:

Date:

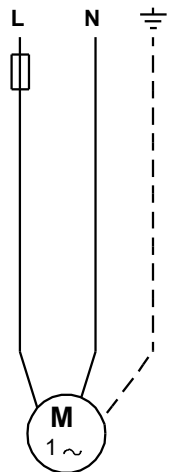
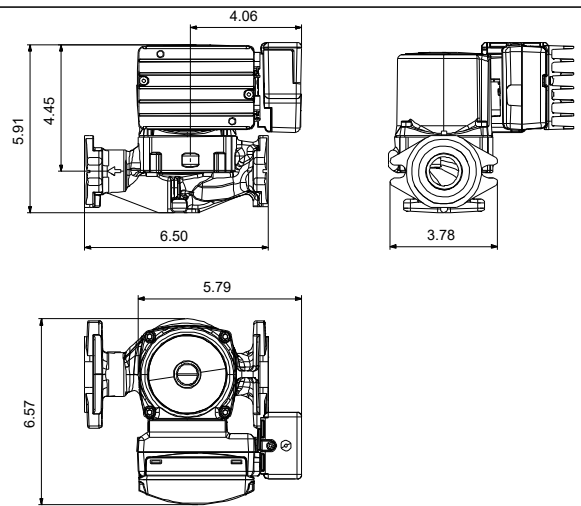
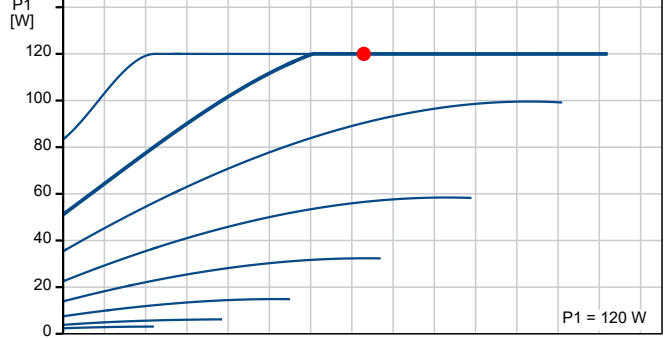
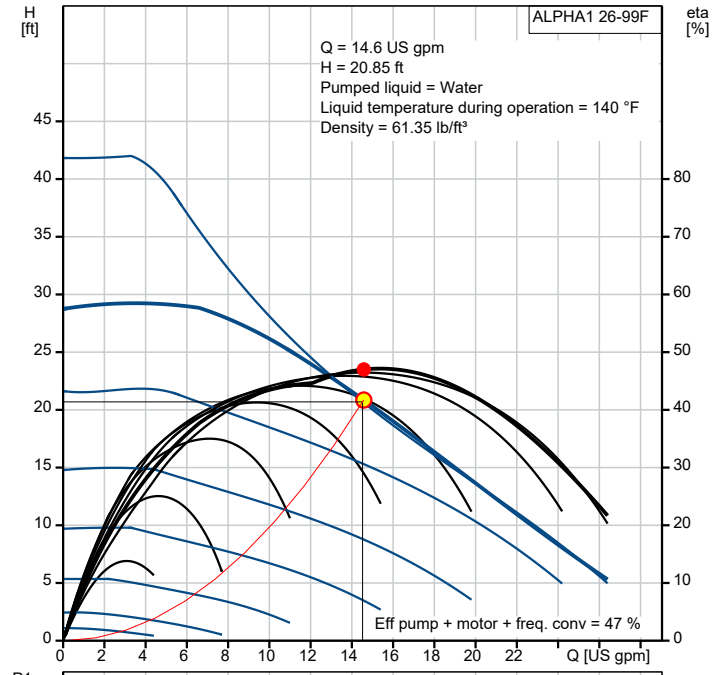
4/22/2021

Count	Description
	Country of origin: US Custom tariff no.: 8413.70.2005

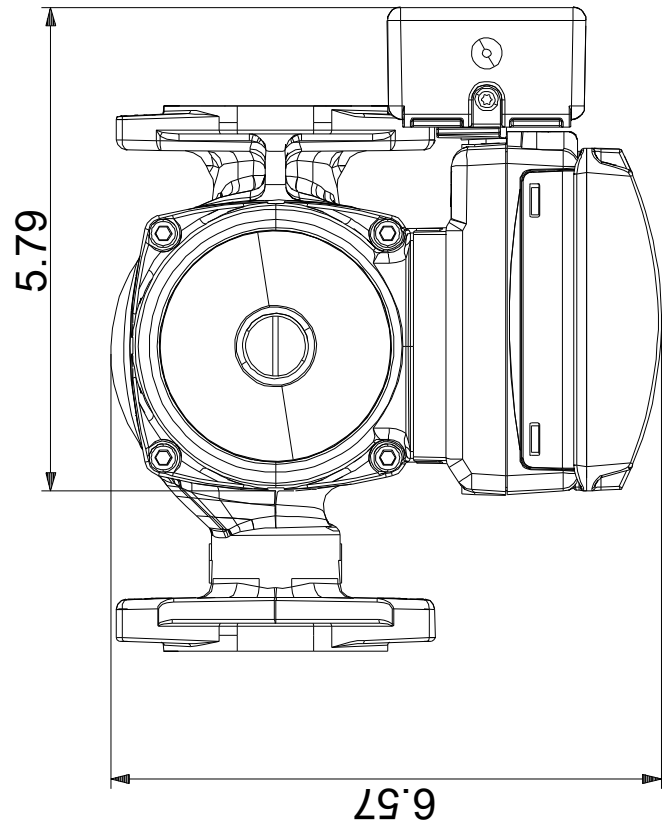
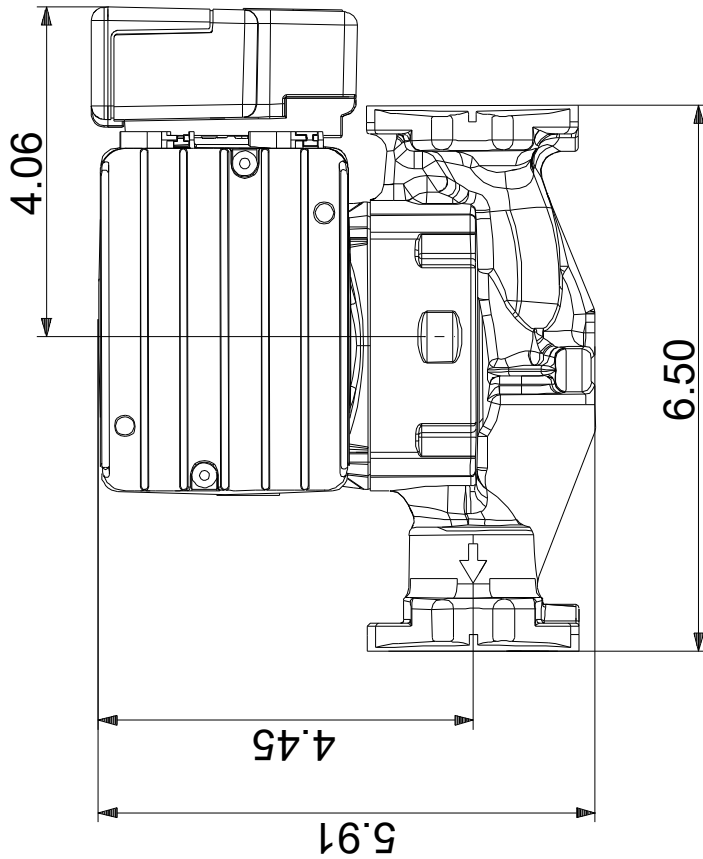
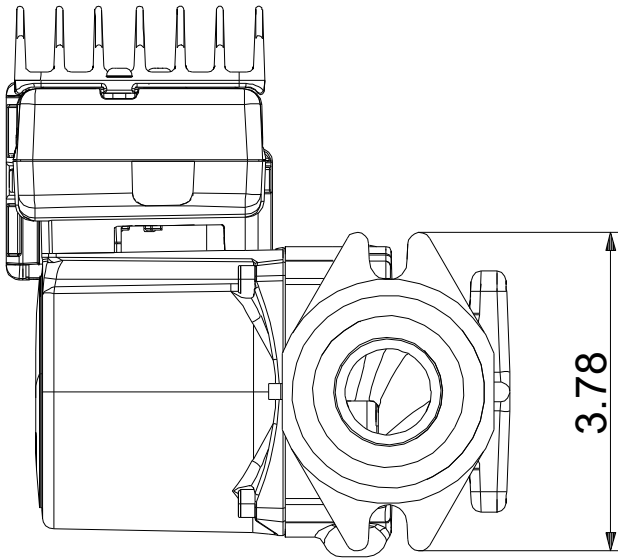
On request ALPHA1 26-99F 60 Hz



Description	Value
General information:	
Product name:	ALPHA1 26-99F
Product No.:	On request
EAN:	On request
Technical:	
Actual calculated flow:	14.6 US gpm
Resulting head of the pump:	20.85 ft
Head max:	32.48 ft
TF class:	110
Approvals on nameplate:	UL
Materials:	
Pump housing:	Cast iron
Pump housing:	EN 1561 EN-GJL-150
Impeller:	Composite
Installation:	
Range of ambient temperature:	32 .. 131 °F
Maximum operating pressure:	145.04 psi
Type of connection:	GF
Pipe connection:	1 1/4
Pressure stage:	PN 10
Port-to-port length:	6 1/2 in
Liquid:	
Pumped liquid:	Water
Liquid temperature range:	14 .. 203 °F
Selected liquid temperature:	140 °F
Density:	61.35 lb/ft³
Electrical data:	
Power input - P1:	3 .. 120 W
Main frequency:	60 Hz
Rated voltage:	1 x 115 V
Maximum current consumption:	0.05 .. 1.7 A
Enclosure class (IEC 34-5):	IP42
Insulation class (IEC 85):	F
Motor protection:	NONE
Thermal protec:	ELEC
Controls:	
Pos term box:	6H
Others:	
Net weight:	8.08 lb
Gross weight:	8.86 lb
Shipping volume:	0.28 ft³
Sales region:	USA
Country of origin:	US
Custom tariff no.:	8413.70.2005

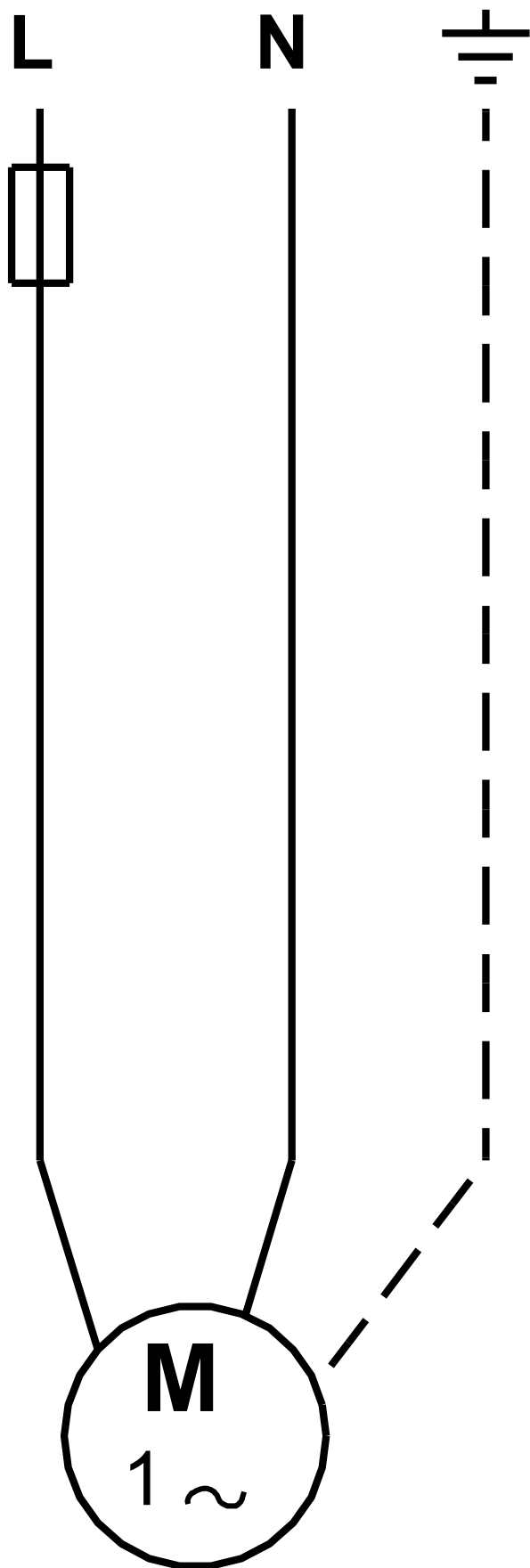


On request ALPHA1 26-99F 60 Hz



Note! All units are in [in] unless otherwise stated.
Disclaimer: This simplified dimensional drawing does not show all details.

On request ALPHA1 26-99F 60 Hz





Company name: Hurley Engineering

Created by:

Phone:

Date:

4/22/2021

Order Data:

Product name: ALPHA1 26-99F

Amount: 1

Product No.: On request

Total: Price on request
