

PROJECT:	Magna-1	UNIT TAG:	_____	QUANTITY:	1
REPRESENTATIVE:	Hurley Engineering	TYPE OF SERVICE:	Cast Iron Pump Configuration	DATE:	_____
ENGINEER:	TBD	SUBMITTED BY:	Devin Carle	DATE:	_____
CONTRACTOR:	TBD	APPROVED BY:	_____	DATE:	_____
		ORDER NO.:	_____	DATE:	_____

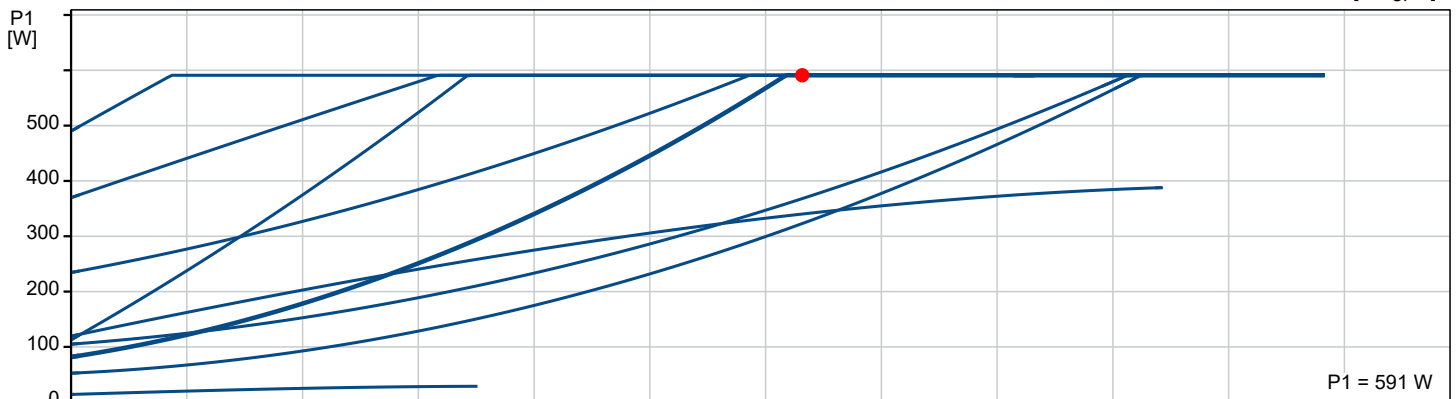
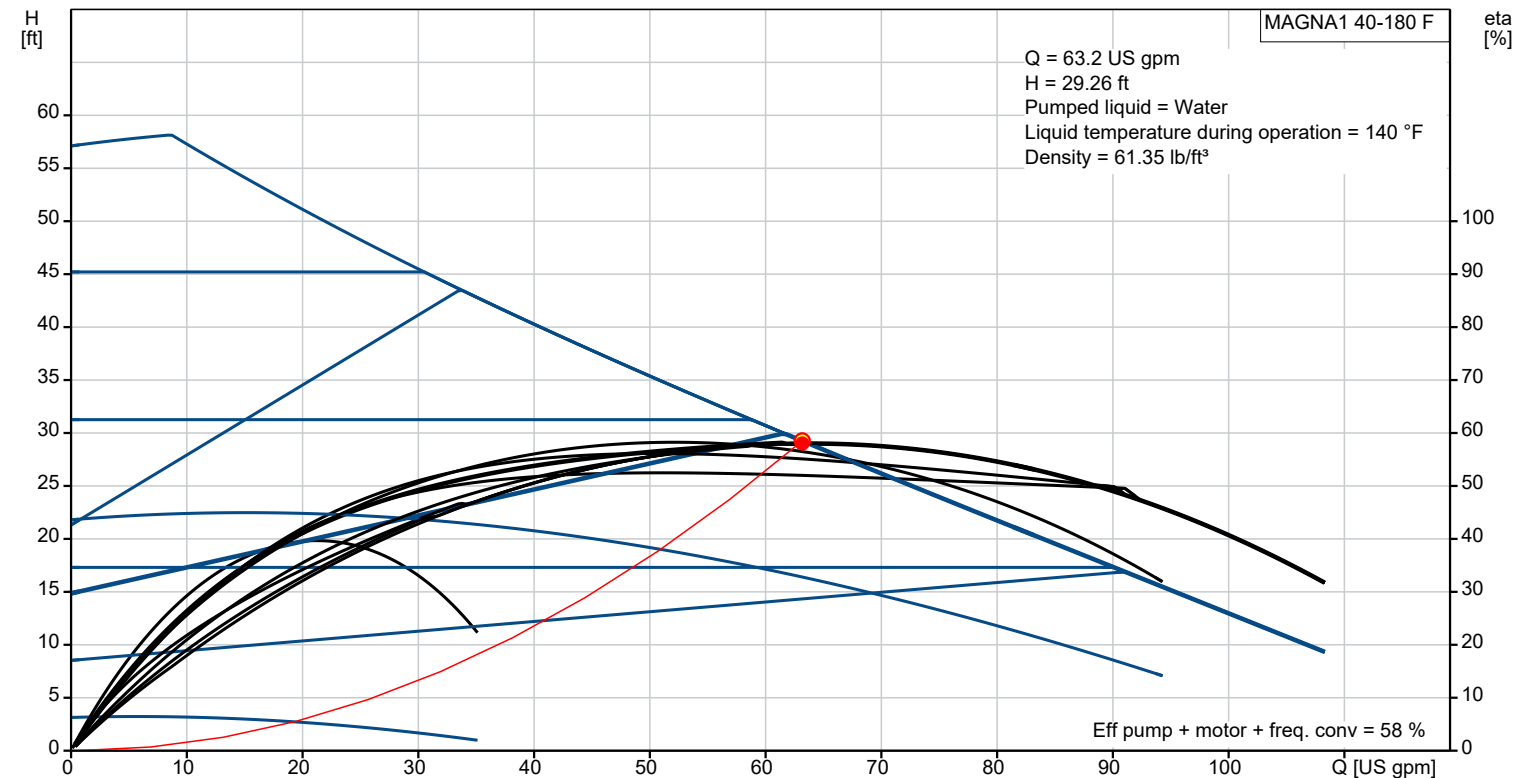


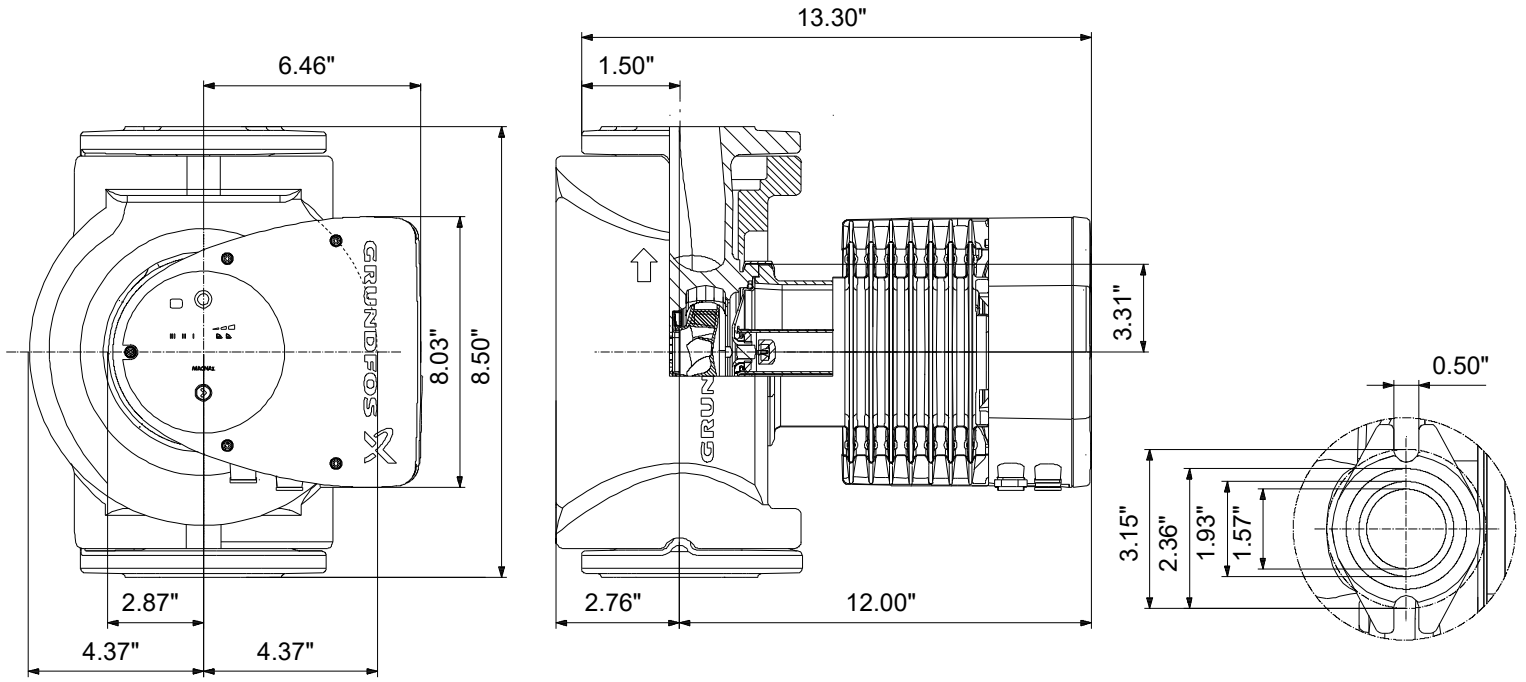
MAGNA1 40-180 F

The simple option for a job well done. The product has an intuitive user interface, which is especially fit for replacement of older circulators. The ideal choice for basic functionality needs.

Product photo could vary from the actual product


Conditions of Service		Pump Data		Motor Data	
Flow:	63.2 US gpm	Maximum operating pressure:	174.05 psi	P1 max:	17 .. 594 W
Head:	29.26 ft	Liquid temperature range:	14 .. 230 °F	Rated voltage:	115 V
Efficiency:	58 %	Maximum ambient temperature:	104 °F	Main frequency:	60 Hz
Liquid:	Water	Approvals:	98544607	Enclosure class:	X4D
Temperature:	140 °F	Flange standard:	GF	Insulation class:	F
NPSH required:	ft	Pipe connection:	GF15/26/40/43		
Specific Gravity:	0.985	Product number:	On request		





Materials:

- Pump housing: Cast iron
- Pump housing: EN-GJL-250
- Pump housing: ASTM A48-250B
- Impeller: PES 30%GF

Count	Description																														
1	<p data-bbox="119 232 327 253">MAGNA1 40-180 F</p> <div data-bbox="197 338 411 465" style="text-align: center;">  </div> <p data-bbox="119 555 395 575">Product No.: On request</p> <p data-bbox="119 613 1576 667">MAGNA1 circulator pump with easy selection of pump setting The pump is of the canned-rotor type, i.e. pump and motor form an integral unit without shaft seal and with only two gaskets for sealing.</p> <p data-bbox="119 701 1497 813">The bearings are lubricated by the pumped liquid. In order to avoid problems in connection with disposal, great importance has been attached to using as few different materials as possible. A pump with no maintenance requirements and extremely low life cycle cost.</p> <p data-bbox="119 846 300 866">Heating systems</p> <ul data-bbox="119 878 402 990" style="list-style-type: none"> • Main pump • mixing loops • heating surfaces • air-conditioning surfaces. <p data-bbox="119 1001 1481 1077">The MAGNA1 circulator pumps are designed for circulating liquids in heating systems with variable flows where it is desirable to optimize the setting of the pump duty point, thus reducing energy costs. The pumps are also suitable for domestic hot-water systems.</p> <p data-bbox="119 1088 1369 1200">To ensure correct operation, it is important that the sizing range of the system falls within the duty range of the pump. The pump is also suitable for systems with hot-water priority as an external signal can immediately force the pump to operate according to the max. curve, for example in solar-heating systems.</p> <p data-bbox="119 1234 209 1254">Benefits</p> <ul data-bbox="119 1265 1465 1467" style="list-style-type: none"> • Safe selection. • Simple installation. • Low energy consumption. All MAGNA1 pumps comply with the EuP requirements. • Nine light fields for indication of pump setting. Three proportional-pressure curves, three constant-pressure curves and three fixed-speed curves are available. • Low noise level. • No maintenance and long life. <p data-bbox="119 1500 193 1520">Liquid:</p> <table data-bbox="119 1532 608 1644"> <tr> <td>Pumped liquid:</td> <td>Water</td> </tr> <tr> <td>Liquid temperature range:</td> <td>14 .. 230 °F</td> </tr> <tr> <td>Selected liquid temperature:</td> <td>140 °F</td> </tr> <tr> <td>Density:</td> <td>61.35 lb/ft³</td> </tr> </table> <p data-bbox="119 1680 229 1700">Technical:</p> <table data-bbox="119 1711 624 1823"> <tr> <td>Actual calculated flow:</td> <td>63.2 US gpm</td> </tr> <tr> <td>Resulting head of the pump:</td> <td>29.26 ft</td> </tr> <tr> <td>TF class:</td> <td>110</td> </tr> <tr> <td>Approvals on nameplate:</td> <td>98544607</td> </tr> </table> <p data-bbox="119 1856 225 1877">Materials:</p> <table data-bbox="119 1888 663 2000"> <tr> <td>Pump housing:</td> <td>Cast iron EN-GJL-250 ASTM A48-250B</td> </tr> <tr> <td>Impeller:</td> <td>PES 30%GF</td> </tr> </table> <p data-bbox="119 2033 240 2054">Installation:</p> <table data-bbox="119 2065 644 2213"> <tr> <td>Range of ambient temperature:</td> <td>32 .. 104 °F</td> </tr> <tr> <td>Maximum operating pressure:</td> <td>174.05 psi</td> </tr> <tr> <td>Flange standard:</td> <td>GF</td> </tr> <tr> <td>Pipe connection:</td> <td>GF15/26/40/43</td> </tr> <tr> <td>Pressure stage:</td> <td>PN12</td> </tr> </table>	Pumped liquid:	Water	Liquid temperature range:	14 .. 230 °F	Selected liquid temperature:	140 °F	Density:	61.35 lb/ft ³	Actual calculated flow:	63.2 US gpm	Resulting head of the pump:	29.26 ft	TF class:	110	Approvals on nameplate:	98544607	Pump housing:	Cast iron EN-GJL-250 ASTM A48-250B	Impeller:	PES 30%GF	Range of ambient temperature:	32 .. 104 °F	Maximum operating pressure:	174.05 psi	Flange standard:	GF	Pipe connection:	GF15/26/40/43	Pressure stage:	PN12
Pumped liquid:	Water																														
Liquid temperature range:	14 .. 230 °F																														
Selected liquid temperature:	140 °F																														
Density:	61.35 lb/ft ³																														
Actual calculated flow:	63.2 US gpm																														
Resulting head of the pump:	29.26 ft																														
TF class:	110																														
Approvals on nameplate:	98544607																														
Pump housing:	Cast iron EN-GJL-250 ASTM A48-250B																														
Impeller:	PES 30%GF																														
Range of ambient temperature:	32 .. 104 °F																														
Maximum operating pressure:	174.05 psi																														
Flange standard:	GF																														
Pipe connection:	GF15/26/40/43																														
Pressure stage:	PN12																														



Company name: Hurley Engineering

Created by:

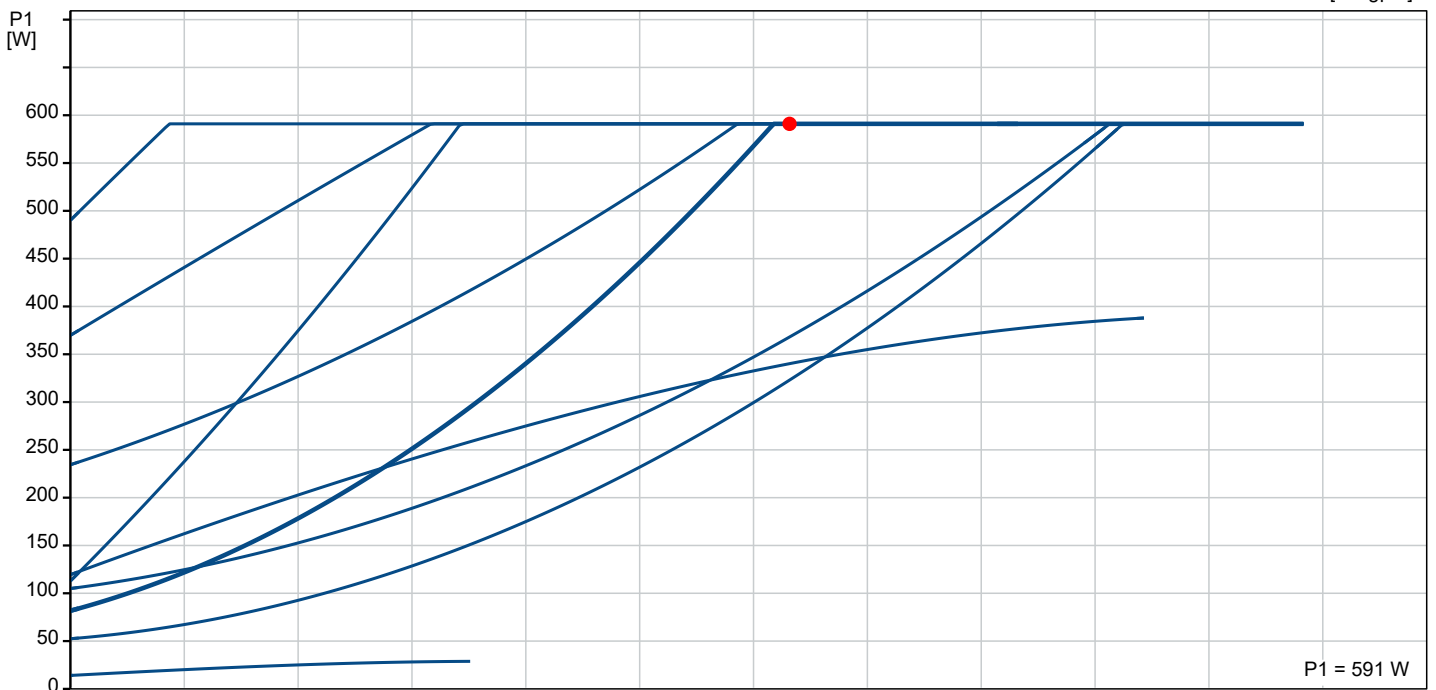
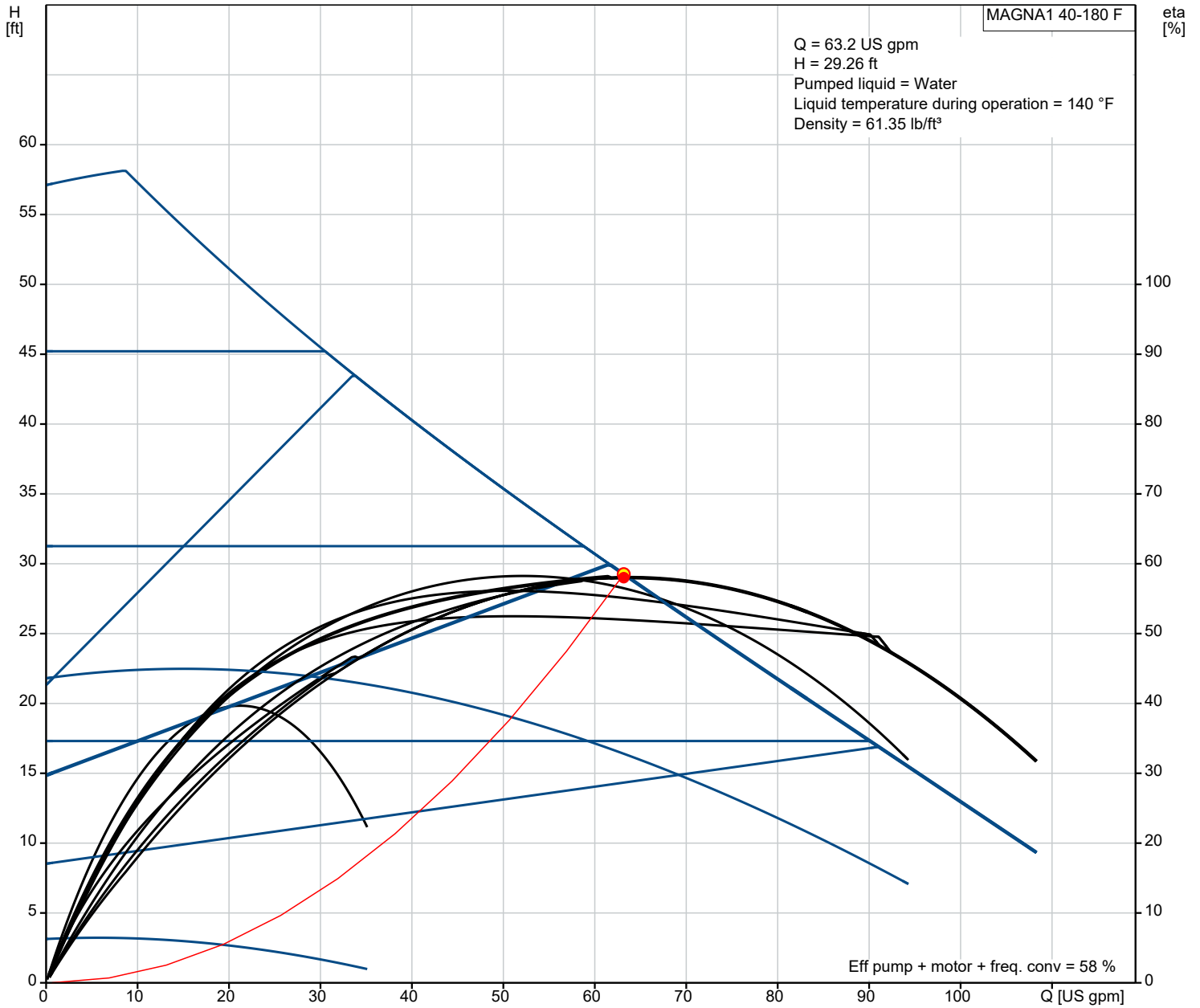
Phone:

Date:

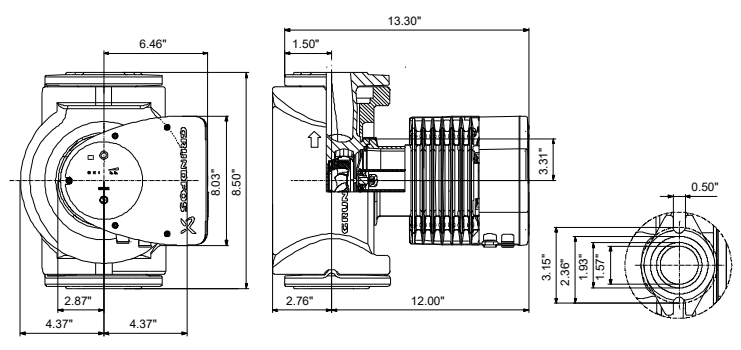
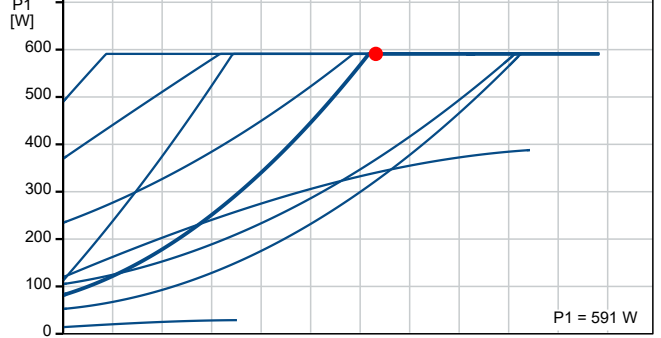
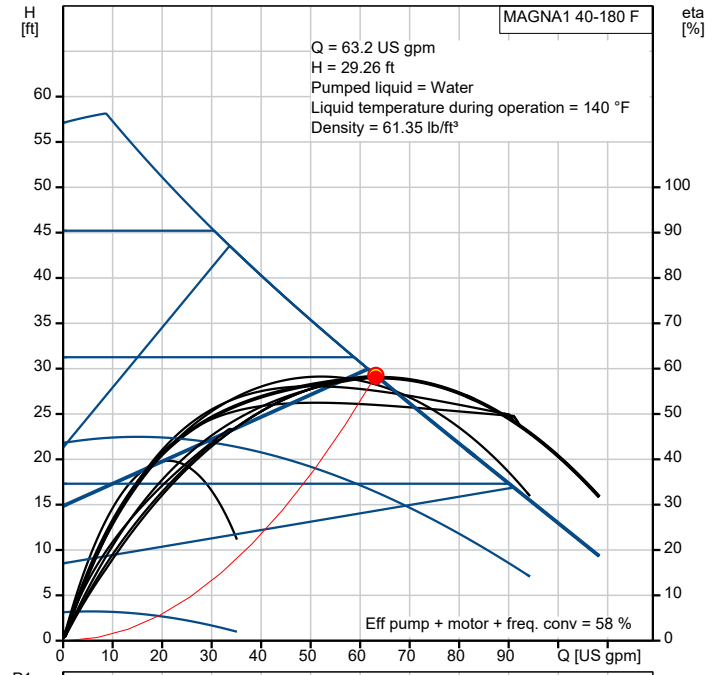
4/22/2021

Count	Description
	Port-to-port length: 8 9/16 in
	Electrical data:
	Power input - P1: 17 .. 594 W
	Main frequency: 60 Hz
	Rated voltage: 1 x 115 V
	Maximum current consumption: 0.26 .. 5.22 A
	Enclosure class (IEC 34-5): X4D
	Insulation class (IEC 85): F
	Others:
	Energy (EEI): 0.20
	Net weight: 30.8 lb
	Gross weight: 34 lb
	Shipping volume: 1.06 ft ³
	Country of origin: US
	Custom tariff no.: 8413.70.2005

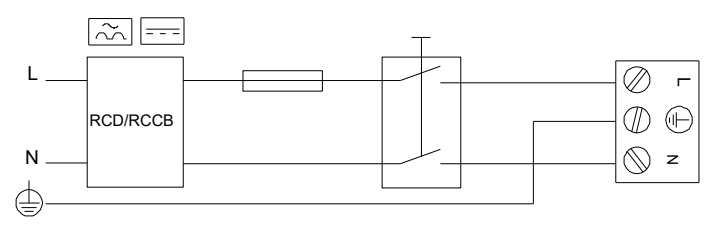
On request MAGNA1 40-180 F 60 Hz



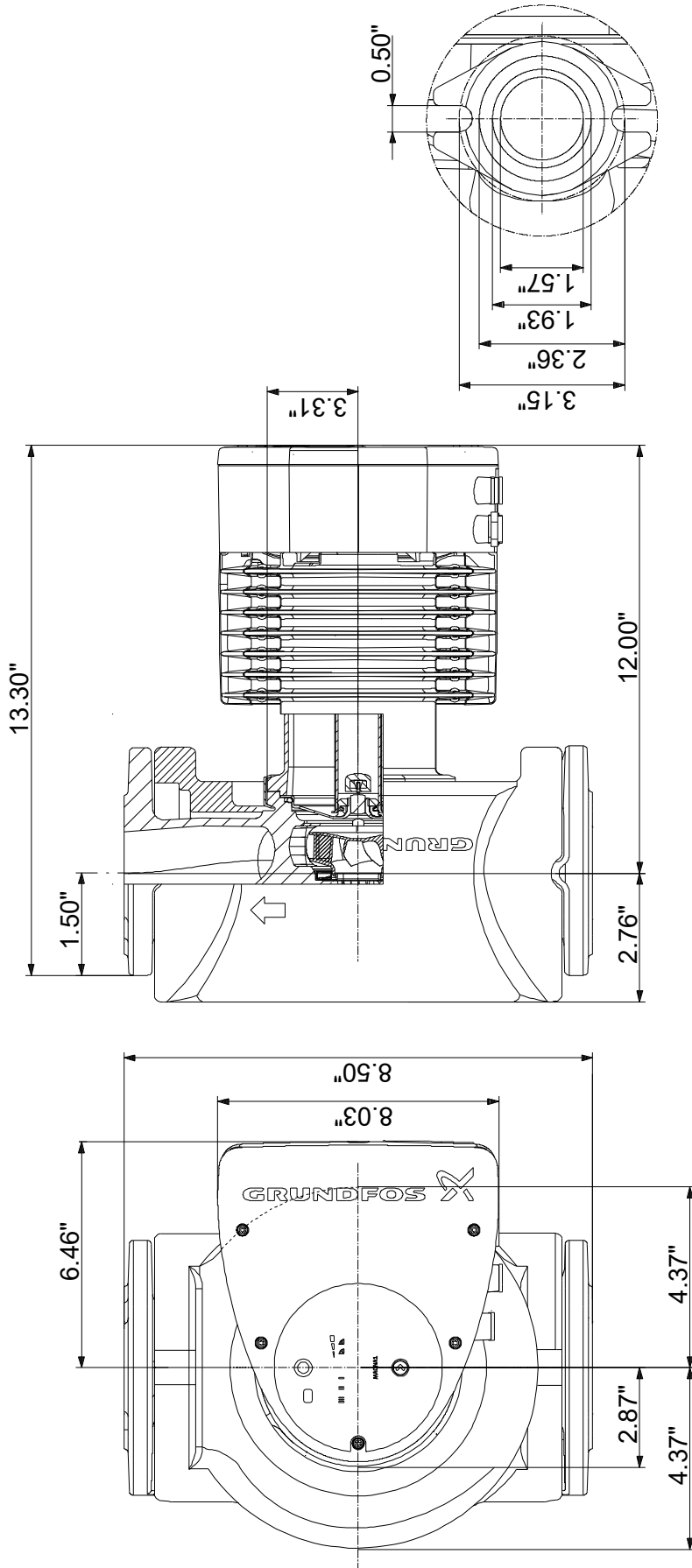
Description	Value
General information:	
Product name:	MAGNA1 40-180 F
Product No.:	On request
EAN:	On request
Technical:	
Actual calculated flow:	63.2 US gpm
Resulting head of the pump:	29.26 ft
Head max:	59.06 ft
TF class:	110
Approvals on nameplate:	98544607
Model:	B
Materials:	
Pump housing:	Cast iron
Pump housing:	EN-GJL-250
Pump housing:	ASTM A48-250B
Impeller:	PES 30%GF
Installation:	
Range of ambient temperature:	32 .. 104 °F
Maximum operating pressure:	174.05 psi
Flange standard:	GF
Pipe connection:	GF15/26/40/43
Pressure stage:	PN12
Port-to-port length:	8 9/16 in
Liquid:	
Pumped liquid:	Water
Liquid temperature range:	14 .. 230 °F
Selected liquid temperature:	140 °F
Density:	61.35 lb/ft³
Electrical data:	
Power input - P1:	17 .. 594 W
Main frequency:	60 Hz
Rated voltage:	1 x 115 V
Maximum current consumption:	0.26 .. 5.22 A
Enclosure class (IEC 34-5):	X4D
Insulation class (IEC 85):	F
Others:	
Energy (EEI):	0.20
Net weight:	30.8 lb
Gross weight:	34 lb
Shipping volume:	1.06 ft³
Country of origin:	US
Custom tariff no.:	8413.70.2005



Example of mains-connected motor with mains switch, backup fuse and additional protection

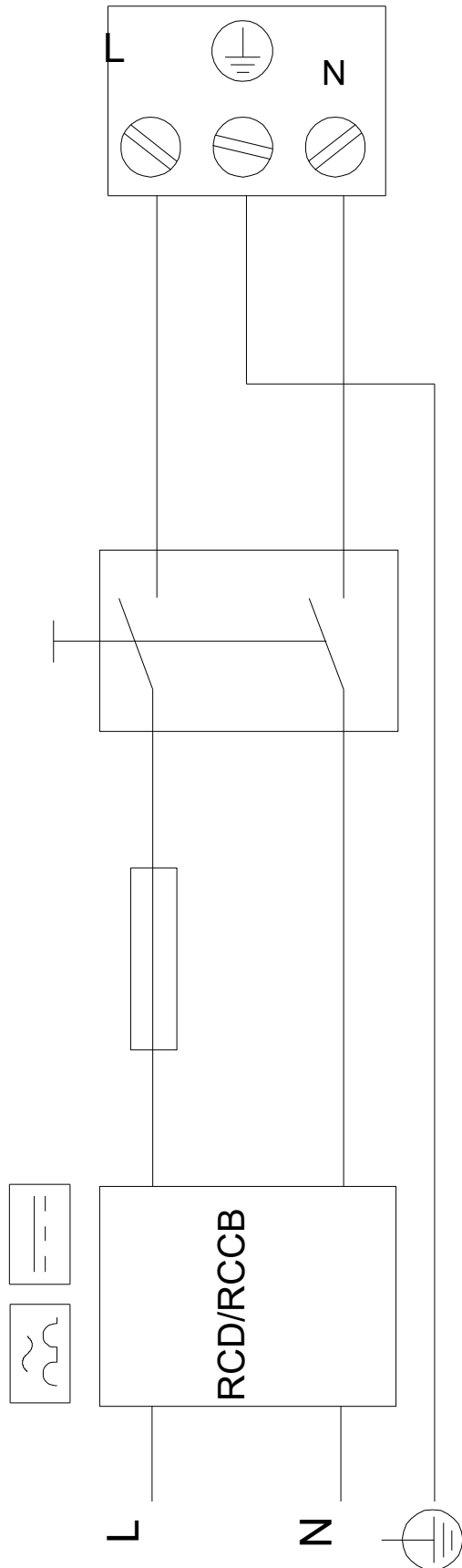


On request MAGNA1 40-180 F 60 Hz



On request MAGNA1 40-180 F 60 Hz

Example of mains-connected motor
with mains switch, backup fuse and additional protection





Company name: Hurley Engineering

Created by:

Phone:

Date:

4/22/2021

Order Data:

Product name: MAGNA1 40-180 F

Amount: 1

Product No.: On request

Total: Price on request
