

Aldrich Company

“Quality Products by Loyal Craftsmen” Steel Boilers & Water Heaters Since 1936
 341 East Williams St., P.O. Box 97, Wyoming, IL 61491 • TEL: 309-695-2311 • FAX: 309-695-5779

BOILER FEED SYSTEMS - CAPACITIES & DIMENSIONS

VERTICAL & HORIZONTAL TYPE TANKS AVAILABLE

Standard Equipment: Feed Tank • Pump(s) • Suction Piping • Control Panel • Float Switch • Solenoid Valve • Gauge Glass

Optional Equipment: Stainless Steel Tank • Customized Sizes & Configurations • Steam Heater • Insulated & Jacketed Tank

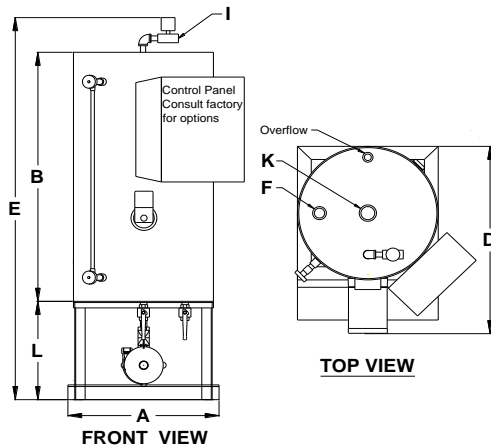
RATINGS & DIMENSIONS

MODEL: ABFS-	30V	50V	100V	150V	200V	250V	350V	100H	150H	200H	250H	350H	500H	750H
Water Capacity (Gal, FULL)	30	50	100	150	200	250	350	100	150	200	250	350	500	750
Pump Quantity	1 to 2	1 to 2	1 to 3	1 to 3	1 to 3	1 to 3	1 to 3	1 to 3	1 to 3	1 to 3	1 to 3	1 to 4	1 to 4	1 to 4
Boiler HP Cap. (Up To)	30	50	70 or (2)35	105 or (2)50	140 or (2)70	180 or (2)90	200 or (2)100	70 or (2)35	105 or (2)50	140 or (2)70	180 or (2)90	200 or (2)100	300 or (2)150	500 or (2)250
**Standard Pump Cap at 46ft. of Head (GPM) for 15 PSI Boiler Service	4 or 2	8 or 4	10 or 5	15 or 8	20 or 10	25 or 13	28 or 13	10 or 5	15 or 8	20 or 10	25 or 13	28 or 13	42 or 20	70 or 35
Dry Weight (LBS)	600	750	1,000	1,200	1,500	1,800	2,000	1,000	1,200	1,500	1,800	2,000	2,800	3,600
A Diameter	20	20	28	28	34	34	38	25	28	34	34	38	46	54
B Length/Height	25 1/4	38	40	56	56	64	72	48	56	56	64	72	72	78
C Trimmed Width	22 1/2	22 1/2	28	28	34	34	38	36	40	46	46	50	56	64
D Overall Length	30	30	48	48	54	54	58	63	71	71	79	87	87	94
E Height With Trim	48	60	63	79	79	87	98	71	74	92-104	92-104	96-108	104-116	112-124
F Vent Size (NPT)	1 1/2	1 1/2	1 1/2	1 1/2	2 1/2	2 1/2	2 1/2	1 1/2	1 1/2	2 1/2	2 1/2	2 1/2	2 1/2	2 1/2
G Suction Line Size	3/4	3/4	1 1/4	1 1/4	1 1/4	1 1/4	1 1/4	1 1/4	1 1/4	1 1/4	1 1/4	1 1/4	2	2
H Discharge Size NPT Ref.	1/2	1/2	3/4	3/4	1	1 1/2	2	3/4	3/4	1	1 1/2	2	2	2
I Make Up Valve Size NPT	3/4	3/4	3/4	3/4	3/4	3/4	3/4	3/4	3/4	3/4	3/4	3/4	1	1
J Return Location	Center	Center	Center	Center	Center	Center	Center	Center	Center	Center	Center	Center	Center	Center
K Return Size (NPT)	1 1/2	1 1/2	2	2	3	3	4	2	2	3	3	4	4	4
L Stand Height	15	15	15	15	15	15	18	36	36	48-60	48-60	48-60	48-60	48-60
M Drain Size	3/4	3/4	3/4	3/4	1	1	1	3/4	3/4	1	1	1	1	1

ALL DIMENSIONS ARE IN INCHES. DIMENSIONS SUBJECT TO CHANGE WITHOUT NOTICE. CERTIFIED DRAWING AVAILABLE UPON REQUEST.

**CONTACT ALDRICH FOR NON-STANDARD PUMP CAPACITIES.

ABFS "V" VERTICAL TYPE FEEDWATER SYSTEMS



ABFS "H" HORIZONTAL TYPE FEEDWATER SYSTEMS

