

LIST PRICES

Y STRAINERS
Dated January 1, 2020

F.O.B. NO. AURORA, ILLINOIS 60542
PRICING SUBJECT TO CHANGE WITHOUT NOTICE.
WE RESERVE THE RIGHT TO CORRECT PRICING ERRORS
REFER TO ENCOMPASS FOR MOST CURRENT PRICING AND SELECTION TABLES



AURORA® · FAIRBANKS NIJHUIS®

LIST PRICE SHEET Y STRAINER

250# THREADED

MODEL NUMBER	SIZE NPT	CONTROL NUMBER	LIST PRICE	WEIGHT LBS. (KG)
1020TS0050	1/2"	796-0211-655	\$12	1.5 (0.7)
1020TS0075	3/4"	796-0212-655	\$22	2.5 (1.1)
1020TS0100	1"	796-0213-655	\$30	4.5 (2.0)
1020TS0125	1-1/4"	796-0214-655	\$53	6.5 (2.9)
1020TS0150	1-1/2"	796-0215-655	\$58	8.75 (4.0)
1020TS0200	2"	796-0216-655	\$89	12.5 (5.7)
1020TS0250	2-1/2"	796-0217-655	\$167	24 (10.9)
1020TS0300	3"	796-0218-655	\$224	30 (13.6)

125# FLANGED

MODEL NUMBER	SIZE NPT	CONTROL NUMBER	LIST PRICE	WEIGHT LBS. (KG)
1020TFC0200	2"	796-0198-655	\$118	22 (10)
1020TFC0250	2-1/2"	796-0199-655	\$173	38 (17)
1020TFC0300	3"	796-0200-655	\$190	44 (20)
1020TFC0400	4"	796-0201-655	\$319	68 (31)
1020TFC0500	5"	796-0202-655	\$495	117 (53)
1020TFC0600	6"	796-0203-655	\$602	147 (67)
1020TFC0800	8"	796-0204-655	\$1,052	246 (112)
1020TFC1000	10"	796-0205-655	\$2,014	425 (193)
1020TFC1200	12"	796-0206-655	\$2,339	568 (258)
1020TFC1400	14"	796-0207-655	\$5,414	790 (358)
1020TFC1600	16"	796-0208-655	\$7,165	1035 (469)

LIST PRICES

SUCTION DIFFUSER

F.O.B. NO. AURORA, ILLINOIS 60542
PRICING SUBJECT TO CHANGE WITHOUT NOTICE.



AURORA® · FAIRBANKS NIJHUIS®

LIST PRICE SHEET SUCTION DIFFUSER

MODEL SD

125# Flanges

TABLE 1 - SUCTION DIFFUSER

MODEL NUMBER	SIZE		CONTROL* NUMBER	WEIGHT LBS. (KG)	LIST
	INLET	OUTLET			
SD0202	2	2	2920165999	26 (11.8)	\$236
SD2502	2.5	2	2920166999	29 (13.2)	\$246
SD2525	2.5	2.5	2920168999	34 (15.4)	\$438
SD0302	3	2	2920167999	31 (14.1)	\$286
SD0325	3	2.5	2920169999	35 (15.9)	\$454
SD0303	3	3	2920170999	45 (20.4)	\$457
SD0403	4	3	2920171999	53 (24.0)	\$534
SD0404	4	4	2920172999	72 (32.7)	\$625
SD0504	5	4	2920173999	79 (35.8)	\$702
SD0605	6	5	2920176999	103 (46.7)	\$891
SD0606	6	6	2920177999	141 (63.9)	\$921
SD0806	8	6	2920178999	180 (81.6)	\$1,171
SD0808	8	8	2920179999	213 (96.6)	\$2,073
SD1008	10	8	2920180999	246 (111.6)	\$2,288
SD1010	10	10	2920181999	349 (158.3)	\$2,748
SD1210	12	10	2920182999	390 (176.9)	\$3,032
SD1212	12	12	2920183999	641 (290.7)	\$5,061
SD1412	14	12	2920184999	637 (288.9)	\$5,865
SD1414	14	14	2920185999	710 (322.0)	\$10,255
SD1614	16	14	2920186999	750 (340.1)	\$11,234
SD1616	16	16	2920187999	750 (340.1)	\$14,309
SD1816	18	16	2920188999	790 (359.1)	\$15,741
SD2020	20	20	2920189999	1180 (536.4)	\$20,410
SD2420	24	20	2920190999	1280 (581.8)	\$29,662
SD2424	24	24	2920191999	RTF	RTF

*** ORDER SUCTION DIFFUSER BY CONTROL NUMBER**

LIST PRICE SHEET SUCTION DIFFUSER

MODEL SDH

250# Flanges

TABLE 2 - SUCTION DIFFUSER

MODEL NUMBER	SIZE		CONTROL* NUMBER	WEIGHT LBS. (KG)	LIST
	INLET	OUTLET			
SDH0202	2	2	2920193999	33 (15.0)	\$403
SDH2502	2.5	2	2920194999	36 (16.3)	\$410
SDH2525	2.5	2.5	2920196999	40 (18.1)	\$595
SDH0302	3	2	2920195999	38 (17.2)	\$471
SDH0325	3	2.5	2920197999	43 (19.5)	\$614
SDH0303	3	3	2920198999	54 (24.5)	\$633
SDH0403	4	3	2920199999	64 (29.0)	\$747
SDH0404	4	4	2920200999	91 (41.3)	\$868
SDH0504	5	4	2920201999	98 (44.4)	\$978
SDH0505	5	5	2920203999	118 (53.5)	\$1,184
SDH0604	6	4	2920202999	119 (54.0)	\$1,031
SDH0605	6	5	2920204999	135 (61.2)	\$1,236
SDH0606	6	6	2920205999	165 (74.8)	\$1,281
SDH0806	8	6	2920206999	192 (87.1)	\$1,631
SDH0808	8	8	2920207999	268 (121.5)	\$2,821
SDH1008	10	8	2920208999	317 (143.8)	\$3,184
SDH1010	10	10	2920209999	412 (186.8)	\$4,366
SDH1210	12	10	2920210999	482 (218.6)	\$5,319
SDH1212	12	12	2920211999	731 (331.5)	\$8,475
SDH1412	14	12	2920212999	778 (352.8)	\$9,891
SDH1414	14	14	2920213999	RTF	RTF

*** ORDER SUCTION DIFFUSER BY CONTROL NUMBER**

LIST PRICE SHEET SUCTION DIFFUSER

MODEL SDG

Grooved Inlet-Flanged Outlet

TABLE 3 - SUCTION DIFFUSER

MODEL NUMBER	SIZE		CONTROL* NUMBER	WEIGHT LBS. (KG)	LIST
	INLET	OUTLET			
SDG0202	2	2	2920214999	22 (10.0)	\$261
SDG2502	2.5	2	2920215999	22 (10.0)	\$270
SDG0302	2.5	2.5	2920217999	27 (12.2)	\$479
SDG2525	3	2	2920216999	23 (10.4)	\$315
SDG0325	3	2.5	2920218999	27 (12.2)	\$498
SDG0303	3	3	2920219999	36 (16.3)	\$502
SDG0403	4	3	2920220999	39 (17.7)	\$588
SDG0404	4	4	2920221999	58 (26.3)	\$687
SDG0504	5	4	2920222999	63 (28.6)	\$772
SGD0505	5	5	2920224999	83 (37.6)	\$944
SDG0604	6	4	2920223999	68 (30.8)	\$817
SDG0605	6	5	2920225999	88 (39.9)	\$980
SDG0606	6	6	2920226999	121 (54.9)	\$1,060
SDG0806	8	6	2920227999	135 (61.2)	\$1,348
SDG0808	8	8	2920228999	183 (83.0)	\$2,383
SDG1008	10	8	2920229999	205 (93.0)	\$2,633
SDG1010	10	10	2920230999	308 (139.7)	\$3,160
SDG1210	12	10	2920231999	330 (149.7)	\$3,486
SDG1212	12	12	2920232999	556 (252.2)	\$5,820
SDG1412	14	12	2920233999	597 (270.7)	\$6,745

*** ORDER SUCTION DIFFUSER BY CONTROL NUMBER**

LIST PRICES

3DV COMBINATION VALVE

F.O.B. NO. AURORA, ILLINOIS 60542
PRICING SUBJECT TO CHANGE WITHOUT NOTICE.



AURORA® · FAIRBANKS NIJHUIS®

LIST PRICE SHEET 3DV COMBINATION VALVE

2-1/2" THRU 24"

MODEL *	CONTROL NUMBER	PATTERN	SIZE	WEIGHT LBS (KG)	SUG. LIST PRICE
3DV250S	8965270999	STRAIGHT	2-1/2 ANSI 125#	33 (15.0)	\$454
3DV3S	8965271999	STRAIGHT	3 ANSI 125#	39 (17.7)	\$486
3DV4S	8965272999	STRAIGHT	4 ANSI 125#	59 (26.8)	\$912
3DV5S	8965273999	STRAIGHT	5 ANSI 125#	108 (49.0)	\$1,135
3DV6S	8965274999	STRAIGHT	6 ANSI 125#	167 (75.7)	\$1,358
3DV8S	8965275999	STRAIGHT	8 ANSI 125#	344 (156.0)	\$2,750
3DV10S	8965276999	STRAIGHT	10 ANSI 125#	603 (273.0)	\$3,929
3DV12S	8965277999	STRAIGHT	12 ANSI 125#	1006 (456.0)	\$6,304
3DV14S	8965278999	STRAIGHT	14 ANSI 125#	904	\$12,502
3DV16S	8965279999	STRAIGHT	16 ANSI 125#	1786	\$15,970
3DV18S	8965280999	STRAIGHT	18 ANSI 125#	2062	\$21,461
3DV20S	8965281999	STRAIGHT	20 ANSI 125#	2536	\$27,198
3DV24S	8965282999	STRAIGHT	24 ANSI 125#	2734	\$38,924
3DV250A	8965260999	ANGLE	2-1/2 ANSI 125#	33 (15.0)	\$454
3DV3A	8965261999	ANGLE	3 ANSI 125#	39 (17.7)	\$486
3DV4A	8965262999	ANGLE	4 ANSI 125#	59 (26.8)	\$912
3DV5A	8965263999	ANGLE	5 ANSI 125#	108 (49.0)	\$1,135
3DV6A	8965264999	ANGLE	6 ANSI 125#	167 (75.7)	\$1,358
3DV8A	8965265999	ANGLE	8 ANSI 125#	344 (156.0)	\$2,750
3DV10A	8965266999	ANGLE	10 ANSI 125#	603 (273.0)	\$3,929
3DV12A	8965267999	ANGLE	12 ANSI 125#	1006 (456.0)	\$6,304

* ORDER VALVES BY CONTROL NUMBER

**LIST PRICE SHEET
3DV COMBINATION VALVE**

**2-1/2" THRU 12"
GROOVED END CONNECTION**

MODEL*	CONTROL NUMBER	PATTERN	SIZE	WEIGHT LBS (KG)	SUG. LIST PRICE
3DV250SG	8965295999	STRAIGHT	2-1/2 ANSI 125#	33 (15.0)	\$384
3DV3SG	8965296999	STRAIGHT	3 ANSI 125#	39 (17.7)	\$412
3DV4SG	8965297999	STRAIGHT	4 ANSI 125#	59 (26.8)	\$837
3DV5SG	8965298999	STRAIGHT	5 ANSI 125#	108 (49.0)	\$1,057
3DV6SG	8965299999	STRAIGHT	6 ANSI 125#	167 (75.7)	\$1,273
3DV8SG	8965300999	STRAIGHT	8 ANSI 125#	344 (156.0)	\$2,449
3DV10SG	8965301999	STRAIGHT	10 ANSI 125#	603 (273.0)	\$3,553
3DV12SG	8965302999	STRAIGHT	12 ANSI 125#	1006 (456.0)	\$5,809
3DV250AG	8965285999	ANGLE	2-1/2 ANSI 125#	33 (15.0)	\$384
3DV3AG	8965286999	ANGLE	3 ANSI 125#	39 (17.7)	\$412
3DV4AG	8965287999	ANGLE	4 ANSI 125#	59 (26.8)	\$837
3DV5AG	8965288999	ANGLE	5 ANSI 125#	108 (49.0)	\$1,057
3DV6AG	8965289999	ANGLE	6 ANSI 125#	167 (75.7)	\$1,273
3DV8AG	8965290999	ANGLE	8 ANSI 125#	344 (156.0)	\$2,449
3DV10AG	8965291999	ANGLE	10 ANSI 125#	603 (273.0)	\$3,553
3DV12AG	8965292999	ANGLE	12 ANSI 125#	1006 (456.0)	\$5,809

* ORDER VALVES BY CONTROL NUMBER

LIST PRICE SHEET 3DV COMBINATION VALVE

2-1/2" THRU 12" FLANGE ADAPTERS (Used for 3DVG, Grooved End, Triple Duty Valves)

MODEL*	CONTROL NUMBER	SIZE	SUG. LIST PRICE
3DV2.5" - 125 lb	3360650999	2.5" flange adapter 125#	\$130
3DV3" - 125 lb	3360651999	3" flange adapter 125#	\$141
3DV4" - 125 lb	3360652999	4" flange adapter 125#	\$193
3DV5" - 125 lb	3360653999	5" flange adapter 125#	\$203
3DV6" - 125 lb	3360654999	6" flange adapter 125#	\$232
3DV8" - 125 lb	3360655999	8" flange adapter 125#	\$185
3DV10" - 125 lb	3360656999	10" flange adapter 125#	\$321
3DV12" - 125 lb	3360657999	12" flange adapter 125#	\$1,059
3DV2.5" - 250 lb	3360660999	2.5" flange adapter 250#	\$149
3DV3" - 250 lb	3360661999	3" flange adapter 250#	\$158
3DV4" - 250 lb	3360662999	4" flange adapter 250#	\$173
3DV5" - 250 lb	3360663999	5" flange adapter 250#	\$151
3DV6" - 250 lb	3360664999	6" flange adapter 250#	\$306
3DV8" - 250 lb	3360665999	8" flange adapter 250#	\$375
3DV10" - 250 lb	3360666999	10" flange adapter 250#	\$475
3DV12" - 250 lb	3360667999	12" flange adapter 250#	\$1,295

* ORDER VALVES BY CONTROL NUMBER

Notes:

1. Two (2) flanges are required for flanged pipe installation
2. One (1) flange required for flange to grooved pipe installation
3. Support pipe and companion flanges not included.

LIST PRICES

AIR SEPARATORS

CODE REQUIREMENT (Basic Explanation)

A simple description of the options are listed below:

- “no certification”** Means no code inspection
This means that the units are considered as “part of the piping”
ASME code is not provided.
- “UM”** Means the inspection is performed by the manufacturer, using their own
internal quality control personnel.
This applies to products with a limit of 5 ft³ (volume)
The product’s nameplate would bear the “UM” stamp.
(on the top left-hand corner of the nameplate)
This application is an ASME coded installation
In addition, the NBR (National Board Numbers) will be stamped on the
body of the nameplate. (For International installations, no certification
number will be stamped, unless requested)
- “U”** Means the inspection is performed by an Authorized Inspector (AI)
This applies to products which are larger than 5 ft³ (volume) or when
requested by the customer.
The product’s nameplate would bear the “U” stamp.
(on the top left-hand corner of the nameplate)
This application is an ASME coded installation
In addition, the NBR (National Board Number) will be stamped on the body
of the nameplate. (For International installations, no certification number
will be stamped, unless requested)

The delivery of a “U” stamped product is affected by the mentioned
inspection process.
The third party inspection is carried out before, during, and after the
product in manufactured. Items which are inspected include: weld
preparation, weld quality, weld thicknesses, and hydro testing.
There are also hold points that must be respected, the production stops
until the Authorized Inspector (AI) grants approval.



AURORA® · FAIRBANKS NIJHUIS®

LIST PRICE SHEET AIR SEPARATORS

MODEL 1050 SERIES W/O STRAINER (AMSE-U)

MODEL NUMBER*	PIPE SIZE IN. (MM)	CONTROL NUMBER	LIST PRICE	WEIGHT LBS. (kg)
1050-2	2 (51)	3180559999	\$520	70 (32)
1050-2.5	2-1/2 (64)	3180561999	\$708	100 (45)
1050-3	3 (76)	3180563999	\$863	100 (45)
1050-4	4 (102)	3180565999	\$1,621	121 (55)
1050-5	5 (127)	3180567999	\$2,099	173 (79)
1050-6	6 (152)	3180569999	\$2,494	264 (120)
1050-8	8 (203)	3180571999	\$3,183	228 (103)
1050-10	10 (254)	3180572999	\$4,827	390 (177)
1050-12	12 (305)	3180573999	\$7,672	609 (276)
1050-14	14 (356)	3180574999	\$12,514	1680 (762)
1050-16	16 (406)	3180575999	\$15,091	2300 (1043)
1050-18	18 (457)	3180576999	\$24,471	3235 (1467)
1050-20	20 (508)	3180577999	\$27,986	5100 (2313)
1050-22	22 (559)	3180578999	\$44,884	6150 (2790)
1050-24	24 (610)	3180579999	\$53,289	6400 (2903)

MODEL 1050 SERIES W/O STRAINER (ASME-UM)

MODEL NUMBER*	PIPE SIZE IN. (MM)	CONTROL NUMBER	LIST PRICE	WEIGHT LBS. (kg)
1050-2UM	2 (51)	3180560999	\$557	70 (32)
1050-2.5UM	2-1/2 (64)	3180562999	\$726	100 (45)
1050-3UM	3 (76)	3180564999	\$906	100 (45)
1050-4UM	4 (102)	3180566999	\$1,456	121 (55)
1050-5UM	5 (127)	3180568999	\$1,935	173 (79)
1050-6UM	6 (152)	3180570999	\$2,328	264 (120)

***ORDER AIR SEPARATOR BY CONTROL NUMBER**

LIST PRICE SHEET AIR SEPARATORS

MODEL 1050S SERIES W/ STRAINER (ASME-U)

MODEL NUMBER*	PIPE SIZE	CONTROL NUMBER	LIST PRICE	WEIGHT LBS. (kg)
1050-2S	2 (51)	3180538999	\$662	70 (32)
1050-2.5S	2-1/2 (64)	3180540999	\$756	100 (45)
1050-3S	3 (76)	3180542999	\$1,149	100 (45)
1050-4S	4 (102)	3180544999	\$1,935	151 (69)
1050-5S	5 (127)	3180546999	\$2,471	297 (94)
1050-6S	6 (152)	3180548999	\$2,939	306 (139)
1050-8S	8 (203)	3180550999	\$4,141	332 (151)
1050-10S	10 (254)	3180551999	\$6,509	547 (248)
1050-12S	12 (305)	3180552999	\$9,345	856 (388)
1050-14S	14 (356)	3180553999	\$17,120	1848 (838)
1050-16S	16 (406)	3180554999	\$18,116	2530 (1148)
1050-18S	18 (457)	3180555999	\$28,336	3559 (1614)
1050-20S	20 (508)	3180556999	\$36,314	5610 (2545)
1050-22S	22 (559)	3180557999	\$55,353	6765 (3069)
1050-24S	24 (610)	3180558999	\$61,696	7931 (3597)

MODEL 1050S SERIES W/ STRAINER (ASME-UM)

MODEL NUMBER*	PIPE SIZE IN. (MM)	CONTROL NUMBER	LIST PRICE	WEIGHT LBS. (kg)
1050-2SUM	2 (51)	3180539999	\$700	70 (32)
1050-2.5SUM	2-1/2 (64)	3180541999	\$781	100 (45)
1050-3SUM	3 (76)	3180543999	\$1,194	100 (45)
1050-4SUM	4 (102)	3180545999	\$1,773	151 (69)
1050-5SUM	5 (127)	3180547999	\$2,307	297 (94)
1050-6SUM	6 (152)	3180549999	\$2,770	306 (139)

***ORDER AIR SEPARATOR BY CONTROL NUMBER**

**LIST PRICE SHEET
AIR SEPARATORS**

AIR ELIMINATORS

MODEL NUMBER*	PIPE SIZE IN. (MM)	CONTROL NUMBER	LIST PRICE	WEIGHT LBS. (kg)
1050-AE	3/4 NPT (19.04)	3180580999	\$383	8 (4)
1050-AE1	1 NPT (25.4)	3180581999	\$699	15 (7)

LIST PRICES

EXPANSION TANKS

F.O.B. NO. AURORA, ILLINOIS 60542
PRICING SUBJECT TO CHANGE WITHOUT NOTICE.



AURORA® · FAIRBANKS NIJHUIS®

**LIST PRICE SHEET
EXPANSION TANK**

ASME PLAIN STEEL TANK

MODEL NUMBER	TANK VOLUME GAL. (L)	CONTROL NUMBER	LIST PRICE	WEIGHT LBS. (kg)
1060 12x33	15 (57)	8361750999	\$376	44 (20)
1060 12x51	24 (91)	8361751999	\$405	62 (28)
1060 14x48	30 (114)	8361752999	\$424	72 (33)
1060 14x63	40 (151)	8361753999	\$471	92 (42)
1060 16x72	60 (227)	8361754999	\$578	120 (55)
1060 20x62	80 (303)	8361755999	\$638	136 (62)
1060 20x78	100 (379)	8361756999	\$822	168 (76)
1060 24x65	120 (454)	8361757999	\$933	218 (99)
1060 24x72	135 (511)	8361758999	\$962	238 (108)
1060 30x62	175 (662)	8361759999	\$1,379	338 (154)
1060 30x77	220 (833)	8361760999	\$1,654	368 (167)
1060 30x84	240 (908)	8361761999	\$1,689	394 (179)
1060 30x105	305 (1154)	8361762999	\$2,475	486 (221)
1060 36x72	295 (1117)	8361763999	\$2,802	502 (228)
1060 36x93	400 (1514)	8361764999	\$3,121	645 (293)
1060 36x120	505 (1911)	8361765999	\$3,988	810 (368)
1060 42x96	525 (1987)	8361766999	\$5,668	895 (406)

ASME GALVANIZED PLAIN STEEL TANK

MODEL NUMBER	TANK VOLUME GAL. (L)	CONTROL NUMBER	LIST PRICE	WEIGHT LBS.
1060G 12x33	15 (57)	8361770999	\$861	49 (22)
1060G 12x51	24 (91)	8361771999	\$921	69 (31)
1060G 14x48	30 (114)	8361772999	\$1,072	80 (36)
1060G 14x63	40 (151)	8361773999	\$1,235	102 (46)
1060G 16x72	60 (227)	8361774999	\$1,411	134 (61)
1060G 20x62	80 (303)	8361775999	\$1,605	151 (69)
1060G 20x78	100 (379)	8361776999	\$1,971	187 (85)
1060G 24x65	120 (454)	8361777999	\$2,285	238 (108)
1060G 24x72	135 (511)	8361778999	\$2,431	258 (117)
1060G 30x62	175 (662)	8361779999	\$3,146	361 (164)
1060G 30x77	220 (833)	8361780999	\$3,624	396 (180)
1060G 30x84	240 (908)	8361781999	\$3,777	424 (193)
1060G 30x105	305 (1154)	8361782999	\$5,110	523 (238)
1060G 36x72	295 (1117)	8361783999	\$5,335	540 (245)
1060G 36x93	400 (1514)	8361784999	\$6,109	686 (312)
1060G 36x120	505 (1911)	8361785999	\$7,331	844 (384)
1060G 42x96	525 (1987)	8361786999	\$8,124	928 (422)

SADDLES

MODEL NUMBER	CONTROL NUMBER	LIST PRICE
1060S 12"	8202231999	\$269
1060S 14"	8202232999	\$275
1060S 16"	8202233999	\$286
1060S 20"	8202234999	\$295
1060S 24"	8202235999	\$320
1060S 30"	8202236999	\$434
1060S 36"	8202237999	\$482
1060S 42"	8202238999	\$932

**LIST PRICE SHEET
EXPANSION TANK**

DIAPHRAGM TYPE

1060D PRE-CHARGED (ASME) HORIZONTAL

1060D PRE-CHARGED (ASME) HORIZONTAL w/sight glass

MODEL NUMBER	TANK VOLUME GAL. (L)	ACCEPTANCE VOLUME GAL. (L)	CONTROL NUMBER	LIST PRICE	WEIGHT LBS. (kg)
1060D-15	7.8 (29.5)	2.8 (10.6)	8361800999	\$540	38 (17)
1060D-20	10.9 (41.3)	2.8 (10.6)	8361801999	\$557	46 (21)
1060D-40	21.7 (82.1)	12.5 (47.3)	8361802999	\$857	80 (36)
1060D-60	33.6 (127.2)	12.5 (47.3)	8361803999	\$884	105 (48)
1060D-80	44.4 (168.1)	23.2 (87.8)	8361804999	\$1,222	147 (67)
1060D-100	55.7 (210.8)	23.2 (87.8)	8361805999	\$1,285	169 (77)
1060D-120	68.0 (257.4)	35.6 (134.7)	8361806999	\$1,540	212 (96)
1060D-144	77.0 (291.4)	42.5 (160.9)	8361807999	\$1,647	245 (111)
1060D-180	90.0 (340.7)	42.5 (160.9)	8361808999	\$1,820	255 (116)
1060D-200	110.0 (416.4)	53.0 (200.6)	8361809999	\$1,851	276 (125)
1060D-240	132.0 (499.6)	69.3 (262.3)	8361810999	\$2,345	400 (182)
1060D-260	158.0 (598.0)	79.0 (299.0)	8361811999	\$2,697	551 (250)
1060D-280	211.0 (798.6)	114.8 (434.5)	8361812999	\$3,121	701 (319)

MODEL NUMBER	TANK VOLUME GAL. (L)	ACCEPTANCE VOLUME GAL. (L)	CONTROL NUMBER	LIST PRICE	WEIGHT LBS.
1060D-15	7.8 (29.5)	2.8 (10.6)	8361813999	\$718	38 (17)
1060D-20	10.9 (41.3)	2.8 (10.6)	8361814999	\$734	46 (21)
1060D-40	21.7 (82.1)	12.5 (47.3)	8361815999	\$1,062	80 (36)
1060D-60	33.6 (127.2)	12.5 (47.3)	8361816999	\$1,062	105 (48)
1060D-80	44.4 (168.1)	23.2 (87.8)	8361817999	\$1,399	147 (67)
1060D-100	55.7 (210.8)	23.2 (87.8)	8361818999	\$1,461	169 (77)
1060D-120	68.0 (257.4)	35.6 (134.7)	8361819999	\$1,718	212 (96)
1060D-144	77.0 (291.4)	42.5 (160.9)	8361820999	\$1,823	245 (111)
1060D-180	90.0 (340.7)	42.5 (160.9)	8361821999	\$1,995	255 (116)
1060D-200	110.0 (416.4)	53.0 (200.6)	8361822999	\$2,029	276 (125)
1060D-240	132.0 (499.6)	69.3 (262.3)	8361823999	\$2,522	400 (182)
1060D-260	158.0 (598.0)	79.0 (299.0)	8361824999	\$3,073	551 (250)
1060D-280	211.0 (798.6)	114.8 (434.5)	8361825999	\$3,498	701 (319)

SADDLES

MODEL NUMBER	DESCRIPTION	CONTROL NUMBER	LIST PRICE
1060DS-20	For 1060D-15 to 20	8202240999	\$257
1060DS-100	For 1060D-40 to 100	8202241999	\$272
1060DS-200	For 1060D-120 to 200	8202242999	\$304
1060DS-280	For 1060D-240 to 280	8202243999	\$413

**LIST PRICE SHEET
EXPANSION TANK**

DIAPHRAGM TYPE

1060DV PRE-CHARGED (ASME) VERTICAL

1060DV PRE-CHARGED (ASME) VERTICAL w/sight glass

MODEL NUMBER	TANK VOLUME GAL. (L)	ACCEPTANCE VOLUME GAL. (L)	CONTROL NUMBER	LIST PRICE	WEIGHT LBS. (kg)
1060DV-15	8 (30.3)	2.8 (10.6)	8361830999	\$678	44 (20)
1060DV-20	11 (41.6)	2.8 (10.6)	8361831999	\$688	47 (21)
1060DV-40	22 (83.3)	12.5 (47.3)	8361832999	\$1,009	91 (41)
1060DV-60	34 (128.7)	12.5 (47.3)	8361833999	\$1,074	111 (50)
1060DV-80	44 (166.5)	23.2 (87.8)	8361834999	\$1,381	147 (67)
1060DV-100	56 (212.0)	23.2 (87.8)	8361835999	\$1,448	167 (76)
1060DV-120	67 (253.6)	35.6 (134.7)	8361836999	\$1,784	225 (102)
1060DV-144	77 (291.4)	42.5 (160.9)	8361837999	\$1,927	245 (111)
1060DV-180	91 (344.4)	42.5 (160.9)	8361838999	\$2,136	265 (120)
1060DV-200	111 (420.1)	53.0 (200.6)	8361839999	\$2,168	295 (134)
1060DV-240	132 (499.6)	69.3 (262.3)	8361840999	\$2,688	425 (193)
1060DV-260	158 (598.0)	79.0 (299.0)	8361841999	\$3,129	475 (216)
1060DV-280	211 (798.6)	114.8 (434.5)	8361842999	\$3,592	746 (339)

MODEL NUMBER	TANK VOLUME GAL. (L)	ACCEPTANCE VOLUME GAL. (L)	CONTROL NUMBER	LIST PRICE	WEIGHT LBS.
1060DV-15	8 (30.3)	2.8 (10.6)	8361850999	\$879	44 (20)
1060DV-20	11 (41.6)	2.8 (10.6)	8361851999	\$892	47 (21)
1060DV-40	22 (83.3)	12.5 (47.3)	8361852999	\$1,245	91 (41)
1060DV-60	34 (128.7)	12.5 (47.3)	8361853999	\$1,279	111 (50)
1060DV-80	44 (166.5)	23.2 (87.8)	8361854999	\$1,591	147 (67)
1060DV-100	56 (212.0)	23.2 (87.8)	8361855999	\$1,618	167 (76)
1060DV-120	67 (253.6)	35.6 (134.7)	8361856999	\$1,994	225 (102)
1060DV-144	77 (291.4)	42.5 (160.9)	8361857999	\$2,141	245 (111)
1060DV-180	91 (344.4)	42.5 (160.9)	8361858999	\$2,352	265 (120)
1060DV-200	111 (420.1)	53.0 (200.6)	8361859999	\$2,385	295 (134)
1060DV-240	132 (499.6)	69.3 (262.3)	8361860999	\$2,910	425 (193)
1060DV-260	158 (598.0)	79.0 (299.0)	8361861999	\$3,142	475 (216)
1060DV-280	211 (798.6)	114.8 (434.5)	8361862999	\$3,611	746 (339)

LIST PRICE SHEET EXPANSION TANK

BLADDER TYPE

1060B PRE-CHARGED (ASME) VERTICAL

1060B PRE-CHARGED (ASME) VERTICAL w/sight glass

MODEL NUMBER	TANK VOLUME GAL. (L)	CONTROL NUMBER	LIST PRICE	WEIGHT LBS. (kg)
1060B-35	10 (38)	8361870999	\$1,268	40 (18)
1060B-50	13 (49)	8361871999	\$1,423	50 (23)
1060B-85	23 (87)	8361872999	\$1,770	90 (41)
1060B-130	35 (132)	8361873999	\$2,153	125 (57)
1060B-200	53 (200)	8361874999	\$2,548	225 (102)
1060B-300	80 (300)	8361875999	\$3,095	281 (129)
1060B-400	106 (400)	8361876999	\$3,463	341 (155)
1060B-500	132 (500)	8361877999	\$3,676	403 (183)
1060B-600	158 (600)	8361878999	\$4,969	429 (195)
1060B-800	211 (800)	8361879999	\$5,400	519 (236)
1060B-1000	264 (1000)	8361880999	\$6,187	550 (250)
1060B-1200	317 (1200)	8361881999	\$6,653	640 (291)
1060B-1400	370 (1400)	8361882999	\$7,100	704 (320)
1060B-1600	422 (1600)	8361883999	\$10,088	1183 (538)
1060B-2000	528 (2000)	8361884999	\$10,480	1264 (575)
1060B-2500	660 (2495)	8361885999	\$14,576	1435 (652)
1060B-3000	792 (2994)	8361886999	\$18,248	1550 (705)
1060B-4000	1056 (3992)	8361887999	\$28,190	2638 (1199)

MODEL NUMBER	TANK VOLUME GAL. (L)	CONTROL NUMBER	LIST PRICE	WEIGHT LBS.
1060B-35	10 (38)	8361900999	\$1,503	40 (18)
1060B-50	13 (49)	8361901999	\$1,652	50 (23)
1060B-85	23 (87)	8361902999	\$2,099	90 (41)
1060B-130	35 (132)	8361903999	\$2,378	125 (57)
1060B-200	53 (200)	8361904999	\$2,761	225 (102)
1060B-300	80 (300)	8361905999	\$3,303	281 (129)
1060B-400	106 (400)	8361906999	\$3,574	341 (155)
1060B-500	132 (500)	8361907999	\$3,895	403 (183)
1060B-600	158 (600)	8361908999	\$5,188	429 (195)
1060B-800	211 (800)	8361909999	\$5,617	519 (236)
1060B-1000	264 (1000)	8361910999	\$6,437	550 (250)
1060B-1200	317 (1200)	8361911999	\$6,870	640 (291)
1060B-1400	370 (1400)	8361912999	\$7,318	704 (320)
1060B-1600	422 (1600)	8361913999	\$10,289	1183 (538)
1060B-2000	528 (2000)	8361914999	\$10,667	1264 (575)
1060B-2500	660 (2495)	8361915999	\$14,776	1435 (652)
1060B-3000	792 (2994)	8361916999	\$18,450	1550 (705)
1060B-4000	1056 (3992)	8361917999	\$28,388	2638 (1199)

LIST PRICE SHEET EXPANSION TANK

BLADDER TYPE --- FOR POTABLE WATER

1060BP PRE-CHARGED (ASME) VERTICAL

1060B PRE-CHARGED (ASME) VERTICAL w/sight glass

MODEL NUMBER	TANK VOLUME GAL. (L)	CONTROL NUMBER	LIST PRICE	WEIGHT LBS. (kg)
1060BP-600	158 (600)	8361920999	\$5,501	360 (164)
1060BP-800	211 (800)	8361921999	\$6,500	475 (216)
1060BP-1000	264 (1000)	8361922999	\$7,925	735 (334)
1060BP-1200	317 (1200)	8361923999	\$8,434	745 (339)
1060BP-1400	370 (1400)	8361924999	\$9,176	900 (409)
1060BP-1600	422 (1600)	8361925999	\$12,615	1210 (550)
1060BP-2000	528 (2000)	8361926999	\$13,811	1305 (593)

MODEL NUMBER	TANK VOLUME GAL. (L)	CONTROL NUMBER	LIST PRICE	WEIGHT LBS.
1060BP-600	158 (600)	8361930999	\$5,701	360 (164)
1060BP-800	211 (800)	8361931999	\$6,703	475 (216)
1060BP-1000	264 (1000)	8361932999	\$8,124	735 (334)
1060BP-1200	317 (1200)	8361933999	\$8,634	745 (339)
1060BP-1400	370 (1400)	8361934999	\$9,379	900 (409)
1060BP-1600	422 (1600)	8361935999	\$12,810	1210 (550)
1060BP-2000	528 (2000)	8361936999	\$14,011	1305 (593)

**LIST PRICE SHEET
EXPANSION TANK**

DIAPHRAGM TYPE --- FOR POTABLE WATER

1060DP PRE-CHARGED (ASME) VERTICAL

MODEL NUMBER	TANK VOLUME GAL. (L)	ACCEPTANCE VOLUME GAL. (L)	CONTROL NUMBER	LIST PRICE	WEIGHT LBS. (kg)
1060DP-5	3.5 (13)	2.1 (8.0)	8361940999	\$984	22 (10)
1060DP-12	5.0 (19)	3.2 (12.1)	8361941999	\$1,135	28 (13)
1060DP-20	8.0 (30)	3.2 (12.1)	8361942999	\$1,264	34 (15)
1060DP-30	15.0 (57)	10.0 (37.9)	8361943999	\$1,424	64 (29)
1060DP-42	22.0 (83)	14.9 (56.4)	8361944999	\$1,525	88 (40)
1060DP-60	26.0 (98)	15.7 (59.4)	8361945999	\$1,706	93 (42)
1060DP-80	60.0 (227)	22.0 (83.3)	8361946999	\$1,888	175 (80)
1060DP-100	45.0 (170)	21.0 (79.5)	8361947999	\$2,108	148 (67)
1060DP-125	60.0 (227)	21.0 (79.5)	8361948999	\$2,486	175 (80)
1060DP-160	70.0 (265)	52.5 (198.7)	8361949999	\$2,651	259 (118)
1060DP-180	80.0 (303)	53.0 (200.6)	8361950999	\$2,999	268 (122)
1060DP-210	90.0 (341)	53.0 (200.6)	8361951999	\$3,146	283 (129)

SECTION 1070 PAGE 1
DATED JULY 26, 2019
SUPERSEDES PAGE 1
DATED JANUARY 1, 2016

LIST PRICES

CIRCULATOR PUMPS

F.O.B. NO. AURORA, ILLINOIS 60542
PRICING SUBJECT TO CHANGE WITHOUT NOTICE.



AURORA®

LIST PRICE SHEET

1070 3-SPEED WET ROTOR CIRCULATORS

(Pumps come with 2 flanges, gaskets, and hardware)

TABLE 1

MODEL**	CONTROL NUMBER	VOLTS	AMPS	WATTS	HP	LIST	WEIGHT LBS. (kg)
CAST IRON							
1070-303	6365470642	115	.70	81	1/25	\$180	7 (3.2)
1070-503	6365471642	115	.95	109	1/20	201	7.4 (3.4)
BRONZE (LF)							
1070-303B	6365470644	115	.70	175	1/25	305	6.5 (2.9)
1070-503B	6365471644	115	.95	205	1/20	322	6.8 (3.1)

**ORDER CIRCULATOR BY CONTROL NUMBER

TABLE 2

COMPANION FLANGES

(Contain

(2) flanges, hardware & gaskets)

MODEL**	CONTROL NUMBER	DESCRIPTION	LIST
CAST IRON			
1070-75F	3360675010	.75" FLANGE	\$19
1070-100F	3360676010	1" FLANGE	19
1070-125F	3360677010	1.25" FLANGE	19
1070-150F	3360678010	1.50" FLANGE	19
BRONZE			
1070-75FB	3360675208	.75" FLANGE	60
1070-100FB	3360676208	1" FLANGE	60
1070-125FB	3360677208	1.25" FLANGE	68
1070-150FB	3360678208	1.50" FLANGE	79

LIST PRICES
 CIRCULATORS

1070-AP DRY ROTOR CIRCULATORS

TABLE 3

MODEL **	HP	VOLTAGE	CAST IRON			BRONZE (LF)		
			CONTROL NUMBER	LIST PRICE	WT LBS. (kg)	CONTROL NUMBER	LIST PRICE	WT LBS. (kg)
1070-AP7	1/6	120	6365476642	\$383	11.5 (5.2)	6365476644	\$607	12.8 (5.8)
		240	6365477642	383		6365477644	607	
1070-AP8	1/6	120	6365478642	410	11.5 (5.2)	6365478644	644	12.8 (5.8)
		240	6365479642	410		6365479644	644	
1070-AP9	1/6	120	6365480642	410	11.5 (5.2)	6365480644	644	12.8 (5.8)
		240	6365481642	410		6365481644	644	
1070-AP10	1/6	120	6365482642	419	13.0 (5.9)	6365482644	659	14.8 (6.7)
		240	6365483642	419		6365483644	659	
1070-AP11	1/6	120	6365484642	419	13.0 (5.9)	6365484644	659	14.8 (6.7)
		240	6365485642	419		6365485644	659	
1070-AP12	2/5	120	6365488642	743	17.1 (7.8)	6365488644	958	17.9 (8.1)
		240	6365489642	743		6365489644	958	
1070-AP12-150	2/5	120	6365486642	743	13.0 (5.9)	6365486644	958	14.8 (6.7)
		240	6365487642	743		6365487644	958	
1070-AP13	1/6	120	6365490642	521	17.1 (7.8)	6365490644	777	17.9 (8.1)
		240	6365491642	521		6365491644	777	
1070-AP14	2/5	120	6365494642	769	20.3 (9.2)	6365494644	1,003	20.3 (9.2)
		240	6365495642	769		6365495644	1,003	
1070-AP14-150	2/5	120	6365492642	769	20.1 (9.1)	6365492644	1,003	20.1 (9.1)
		240	6365493642	769		6365493644	1,003	
1070-AP15	2/5	120	6365496642	1,009	20.1 (9.1)	6365496644	1,902	20.1 (9.1)
		240	6365497642	1,009		6365497644	1,902	
1070-AP16	1/6	120	6365498642	840	20.1 (9.1)	6365498644	1,471	20.1 (9.1)
		240	6365499642	840		6365499644	1,471	
1070-AP17	2/5	120	6365500642	889	20.1 (9.1)	6365500644	1,557	20.1 (9.1)
		240	6365501642	889		6365501644	1,557	
1070-AP19	2/5	120	6365502642	859	20.1 (9.1)	6365502644	1,452	20.1 (9.1)
		240	6365503642	859		6365503644	1,452	
1070-AP21	2/5	120	6365504642	859	20.1 (9.1)	6365504644	1,486	20.1 (9.1)
		240	6365505642	859		6365505644	1,486	
1070-AP22	2/5	120	6365506642	1,113	20.1 (9.1)	6365506644	1,937	20.1 (9.1)
		240	6365507642	1,113		6365507644	1,937	

**ORDER CIRCULATOR BY CONTROL NUMBER

LIST PRICES
 CIRCULATORS

1070-AP DRY ROTOR CIRCULATORS

TABLE 3 CONT

MODEL **	HP	VOLTAGE	CAST IRON			BRONZE (LF)		
			CONTROL NUMBER	LIST PRICE	WT LBS. (kg)	CONTROL NUMBER	LIST PRICE	WT LBS. (kg)
1070-AP23	2/5	120	6365508642	1,396	20.1 (9.1)	6365508644	2,905	20.1 (9.1)
		240	6365509642	1,396		6365509644	2,905	
1070-AP24	2/5	120	6365510642	1,092	20.1 (9.1)	6365510644	1,937	20.1 (9.1)
		240	6365511642	1,092		6365511644	1,937	
1070-AP28	2/5	120	6365512642	1,015	27.7 (12.6)	6365512644	1,952	27.7 (12.6)
		240	6365513642	1,015		6365513644	1,952	
1070-AP29	2/5	120	6365514642	1,220	27.7 (12.6)	6365514644	2,628	27.7 (12.6)
		240	6365515642	1,220		6365515644	2,628	
1070-AP30	2/5	120	6365516642	859	23.1(10.5)	6365516644	1,620	24.7 (11.2)
		240	6365517642	859		6365517644	1,620	
1070-AP303	2/5	120	6365518642	870	27.7 (12.6)	6365518644	1,653	27.7 (12.6)
		240	6365519642	870		6365519644	1,653	
1070-AP33	2/5	120	6365520642	914	23.1 (10.5)	6365520644	1,696	24.7 (11.2)
		240	6365521642	914		6365521644	1,696	
1070-AP333	2/5	120	6365522642	927	27.7 (12.6)	6365522644	1,730	27.7 (12.6)
		240	6365523642	927		6365523644	1,730	

**ORDER CIRCULATOR BY CONTROL NUMBER

TABLE 4

FLANGE KITS (Contain (2) flanges, hardware & gaskets)

DESCRIPTION	CAST IRON		BRONZE	
	MODEL 1070-APF		MODEL 1070-APFB	
	CONTROL NUMBER	LIST	CONTROL NUMBER	LIST
.75" FLANGE FOR AP7 AP8 AP9 AP12 AP14 AP15 AP17	3360690642	\$20	3360690644	\$58
1" FLANGE FOR AP7 AP8 AP9 AP12 AP14 AP15 AP18	3360691642	19	3360691644	58
1.25" FLANGE FOR AP7 AP8 AP9 AP12 AP14 AP15 AP19	3360692642	19	3360692644	67
1.50" FLANGE FOR AP7 AP8 AP9 AP12 AP14 AP15 AP20	3360693642	19	3360693644	74
1" FLANGE FOR AP10 AP11 AP13 AP19 AP21 AP22 AP23 AP24	3360694642	32	3360694644	97
1.25" FLANGE FOR AP10 AP11 AP13 AP19 AP21 AP22 AP23 AP25	3360695642	32	3360695644	97
1.5" FLANGE FOR AP10 AP11 AP13 AP19 AP21 AP22 AP23 AP26	3360696642	32	3360696644	97
2" FLANGE FOR AP16 AP30 AP33	3360697642	95	3360697644	385
3" FLANGE FOR AP28 AP29 AP303 AP333	3360698642	104	3360698644	446

LIST PRICES
 CIRCULATORS

1070-AP 3-PIECE CIRCULATORS

TABLE 5

HP	VOLTAGE	BRONZE FITTED				ALL BRONZE			
		MODEL**	CONTROL NUMBER	LIST PRICE	WT LBS. (kg)	MODEL**	CONTROL NUMBER	LIST PRICE	WT LBS. (kg)
1/12	115	1070-APBF325*	6365530644	\$383	20 (9)	1070-APAB325	6365530643	\$668	20 (9)
1/6	115	1070-APBF332*	6365534644	\$684	33 (15)	1070-APAB332	6365534643	\$1,194	33 (15)
1/6	115	1070-APBF335	6365531644	\$849	35 (16)	1070-APAB335	6365531643	\$1,520	35 (16)
1/6	115	1070-APBF341	6365535644	\$914	33 (15)	1070-APAB341	6365535643	\$1,464	33 (15)
1/4	115	1070-APBF345*	6365532644	\$1,116	51 (23)	1070-APAB345*	6365532643	\$2,150	51 (23)
1/3	115	1070-APBF346	6365533644	\$1,616	51 (23)	1070-APAB346	6365533643	\$3,044	51 (23)
1/4	115	1070-APBF351-1	6365550644	\$1,077	54 (24)	1070-APAB351-1	6365550643	\$2,118	54 (24)
1/3	115	1070-APBF352-1	6365552644	\$1,156	54 (24)	1070-APAB352-1	6365552643	\$2,440	54 (24)
1/2	115	1070-APBF353-1	6365554644	\$1,168	64 (29)	1070-APAB353-1	6365554643	\$2,251	64 (29)
1/2	208-230/460	1070-APBF353-3	6365555644	\$1,203	64 (29)	1070-APAB353-3	6365555643	\$2,346	64 (29)
3/4	115	1070-APBF354-1	6365556644	\$1,359	71 (32)	1070-APAB354-1	6365556643	\$2,475	71 (32)
3/4	208-230/460	1070-APBF354-3	6365557644	\$1,297	71 (32)	1070-APAB354-3	6365557643	\$2,431	71 (32)
1/2	115	1070-APBF355-1	6365536644	\$1,457	82 (37)	1070-APAB355-1	6365536643	\$2,671	82 (37)
1/2	208-230/460	1070-APBF355-3	6365537644	\$1,376	82 (37)	1070-APAB355-3	6365537643	\$2,568	82 (37)
3/4	115	1070-APBF357-1	6365538644	\$1,631	85 (39)	1070-APAB357-1	6365538643	\$3,015	85 (39)
3/4	208-230/460	1070-APBF357-3	6365539644	\$1,631	85 (39)	1070-APAB357-3	6365539643	\$3,015	85 (39)
1/2	115	1070-APBF363-1	6365558644	\$1,938	96 (44)	1070-APAB363-1	6365558643	\$3,312	96 (44)
1/2	208-230/460	1070-APBF363-3	6365559644	\$1,938	96 (44)	1070-APAB363-3	6365559643	\$3,312	96 (44)
3/4	115	1070-APBF364-1	6365560644	\$1,672	100 (45)	1070-APAB364-1	6365560643	\$3,470	100 (45)
3/4	208-230/460	1070-APBF364-3	6365561644	\$1,639	100 (45)	1070-APAB364-3	6365561643	\$3,432	100 (45)
1	115	1070-APBF365-1	6365562644	\$1,909	102 (46)	1070-APAB365-1	6365562643	\$3,678	102 (46)
1	208-230/460	1070-APBF365-3	6365563644	\$1,798	102 (46)	1070-APAB365-3	6365563643	\$3,616	102 (46)
3/4	115	1070-APBF366-1	6365564644	\$2,250	120 (54)	1070-APAB366-1	6365564643	\$4,052	120 (54)
3/4	208-230/460	1070-APBF366-3	6365565644	\$2,061	120 (54)	1070-APAB366-3	6365565643	\$3,906	120 (54)
1	115	1070-APBF367-1	6365566644	\$2,360	125 (57)	1070-APAB367-1	6365566643	\$4,050	125 (57)
1	208-230/460	1070-APBF367-3	6365567644	\$2,061	125 (57)	1070-APAB367-3	6365567643	\$4,097	125 (57)
1 1/2	208-230/460	1070-APBF368-3	6365568644	\$2,431	130 (59)	1070-APAB368-3	6365568643	\$4,459	130 (59)
1	115	1070-APBF369-1	6365540644	\$2,235	135 (61)	1070-APAB369-1	6365540643	\$4,241	135 (61)
1	208-230/460	1070-APBF369-3	6365541644	\$2,360	135 (61)	1070-APAB369-3	6365541643	\$4,459	135 (61)

**ORDER CIRCULATOR BY CONTROL NUMBER

TABLE 6

COMPANION FLANGES (Pricing for each flange. Need to order 2 for complete kit.)

DESCRIPTION	CAST IRON			BRONZE		
	MODEL**	CONTROL NUMBER	LIST	MODEL	CONTROL NUMBER	LIST
.75" FLANGE FOR 325	1070-APBFF	3360680010	\$12	1070-APABF	3360680208	\$39
1" FLANGE FOR 325		3360681010	12		3360681208	39
1.25" FLANGE FOR 325		3360682010	12		3360682208	39
1.50" FLANGE FOR 325		3360683010	12		3360683208	39
1" FLANGE FOR 332		3360684010	\$16		3360684208	\$71
1.25" FLANGE FOR 332		3360685010	15		3360685208	69
1.50" FLANGE FOR 332		3360686010	15		3360686208	69

TABLE 7

COMPANION FLANGES (Contain 2-Flange, gaskets and hardware)

DESCRIPTION	CAST IRON			BRONZE		
	MODEL**	CONTROL NUMBER	LIST	MODEL	CONTROL NUMBER	LIST
2.5" FLANGE FOR 345	1070APBF-345	8965317642	\$56	1070APAB-345	8965317644	\$128
3" FLANGE FOR 345		8965318642	56		8965318644	128

LIST PRICES
 CIRCULATORS

**1070-AP CUSTOM 3-PIECE CIRCULATORS
 NON-FERROUS IMPELLER**

TABLE 6 SINGLE PHASE MOTORS

HP*	MOUNT	BRONZE FITTED				ALL BRONZE			
		MODEL**	CONTROL NUMBER	LIST PRICE	WT LBS. (kg)	MODEL**	CONTROL NUMBER	LIST PRICE	WT LBS. (kg)
1/4	Resilient	1070-APBF1A	6365580644	\$1,114	48 (22)	1070-APAB1A	6365580643	\$2,035	48 (22)
1/3	Resilient		6365581644	1,255	48 (22)		6365581643	2,187	48 (22)
1/4	Resilient	1070-APBF1-1/4A	6365582644	1,156	48 (22)	1070-APAB1-1/4A	6365582643	2,220	48 (22)
1/3	Resilient		6365583644	1,286	48 (22)		6365583643	2,359	48 (22)
1/2	Resilient		6365584644	1,449	58 (26)		6365584643	2,536	58 (26)
1/4	Resilient	1070-APBF1-1/2A	6365585644	1,235	48 (22)	1070-APAB1-1/2A	6365585643	2,377	48 (22)
1/3	Resilient		6365586644	1,286	48 (22)		6365586643	2,429	48 (22)
1/2	Resilient		6365587644	1,449	58 (26)		6365587643	2,611	58 (26)
3/4	Resilient		6365588644	1,554	75 (34)		6365588643	2,734	75 (34)
1/3	Resilient	1070-APBF2A	6365589644	1,293	55 (25)	1070-APAB2A	6365589643	2,498	55 (25)
1/2	Resilient		6365590644	1,449	72 (33)		6365590643	2,666	72 (33)
3/4	Resilient		6365591644	1,558	75 (34)		6365591643	2,785	75 (34)
1	Resilient		6365592644	2,022	80 (36)		6365592643	3,295	80 (36)

*1/4 AND 1/3 Hp ARE 115V. 1/2, 3/4, AND 1 Hp ARE 115/230V.

**ORDER CIRCULATOR BY CONTROL NUMBER

TABLE 7 THREE PHASE MOTORS

HP*	MOUNT	BRONZE FITTED				ALL BRONZE			
		MODEL**	CONTROL NUMBER	LIST PRICE	WT LBS. (kg)	MODEL**	CONTROL NUMBER	LIST PRICE	WT LBS. (kg)
1/4	Resilient	1070-APBF1A	6365600644	\$1,176	48	1070-APAB1A	6365600643	\$2,067	48
1/3	Resilient		6365601644	1270	48		6365601643	2223	48
1/4	Resilient	1070-APBF1-1/4A	6365602644	1245	48	1070-APAB1-1/4A	6365602643	2324	48
1/3	Resilient		6365603644	1303	48		6365603643	2392	48
1/2	Resilient		6365604644	1358	58 (26)		6365604643	2452	58 (26)
1/4	Resilient	1070-APBF1-1/2A	6365605644	1250	48	1070-APAB1-1/2A	6365605643	2401	48
1/3	Resilient		6365606644	1332	48		6365606643	2503	48
1/2	Resilient		6365607644	1376	58 (26)		6365607643	2,544	58 (26)
3/4	Resilient		6365608644	1,464	75 (34)		6365608643	2,645	75 (34)
1/3	Resilient	1070-APBF2A	6365609644	1,343	55	1070-APAB2A	6365609643	2,566	55
1/2	Resilient		6365610644	1,358	72 (33)		6365610643	2,574	72 (33)
3/4	Resilient		6365611644	1,465	75 (34)		6365611643	2,697	75 (34)
1	Resilient		6365612644	1,811	80 (36)		6365612643	3,077	80 (36)

*1/2, 3/4, 1, AND 1-1/2 Hp ARE 208-230/460V OR 575V.

**ORDER CIRCULATOR BY CONTROL NUMBER

TABLE 8 TEFC THREE PHASE MOTORS

HP*	MOUNT	BRONZE FITTED				ALL BRONZE			
		MODEL**	CONTROL NUMBER	LIST PRICE	WT LBS. (kg)	MODEL**	CONTROL NUMBER	LIST PRICE	WT LBS. (kg)
1/2	Resilient	1070-APBF1-1/4A	6365665644	\$1,691	58 (26)	1070-APAB1-1/4A	6365665643	\$2,655	58 (26)
1/2	Resilient	1070-APBF1-1/2A	6365666644	1,710	58 (26)	1070-APAB1-1/2A	6365666643	2,741	58 (26)
3/4	Resilient		6365667644	1,846	75 (34)		6365667643	2,883	75 (34)
1/2	Resilient	1070-APBF2A	6365668644	2,910	72 (33)	1070-APAB2A	6365668643	2,771	72 (33)
3/4	Resilient		6365669644	1,846	75 (34)		6365669643	2,931	75 (34)
1	Resilient		6365670644	3,506	80 (36)		6365670643	3,339	80 (36)

*1/2, 3/4, 1, AND 1-1/2 Hp ARE 208-230/460V OR 575V.

**ORDER CIRCULATOR BY CONTROL NUMBER

LIST PRICES
 CIRCULATORS

1070-AP CUSTOM 3-PIECE CIRCULATORS
 BRONZE IMPELLER

TABLE 9 SINGLE PHASE MOTORS

HP*	MOUNT	BRONZE FITTED				ALL BRONZE			
		MODEL**	CONTROL NUMBER	LIST PRICE	WT LBS. (kg)	MODEL**	CONTROL NUMBER	LIST PRICE	WT LBS. (kg)
1/2	Resilient	1070-APBF1-1/2B	6365615644	\$1,450	86 (39)	1070-APAB1-1/2B	6365615643	\$2,611	86 (39)
3/4	Resilient		6365616644	1,554	82 (37)		6365616643	2,735	82 (37)
1	Resilient		6365617644	2,177	92 (42)		6365617643	4,154	92 (42)
1 1/2	Rigid		6365618644	2,811	115 (52)		6365618643	4,721	115 (52)
1/2	Resilient	1070-APBF2B	6365619644	1,450	90 (41)	1070-APAB2B	6365619643	2,667	90 (41)
3/4	Resilient		6365620644	1,557	96 (44)		6365620643	2,785	96 (44)
1	Resilient		6365621644	2,023	100 (45)		6365621643	3,295	100 (45)
1 1/2	Rigid		6365640644	2,855	120 (54)		6365640643	5,097	120 (54)
1	Rigid	1070-APBF3B	6365641644	3,277	135 (61)	1070-APAB3B	6365641643	6,527	135 (61)
1 1/2	Rigid		6365642644	2,855	138 (63)		6365642643	5,097	138 (63)

*1/2, 3/4, AND 1 Hp ARE 115/230V.

**ORDER CIRCULATOR BY CONTROL NUMBER

TABLE 10 THREE PHASE MOTORS

HP*	MOUNT	BRONZE FITTED				ALL BRONZE			
		MODEL**	CONTROL NUMBER	LIST PRICE	WT LBS. (kg)	MODEL**	CONTROL NUMBER	LIST PRICE	WT LBS. (kg)
1/2	Rigid	1070-APBF1-1/2B	6365645644	\$1,376	86 (39)	1070-APAB1-1/2B	6365645643	\$2,544	86 (39)
3/4	Rigid		6365646644	1,464	82 (37)		6365646643	2,645	82 (37)
1	Rigid		6365647644	2,137	92 (42)		6365647643	3,998	92 (42)
1 1/2	Rigid		6365648644	2,301	115 (52)		6365648643	4,178	115 (52)
1/2	Rigid	1070-APBF2B	6365650644	1,358	90 (41)	1070-APAB2B	6365650643	2,574	90 (41)
3/4	Rigid		6365651644	1,465	96 (44)		6365651643	2,697	96 (44)
1	Rigid		6365652644	1,811	100 (45)		6365652643	3,077	100 (45)
1 1/2	Rigid		6365653644	2,479	120 (54)		6365653643	4,612	120 (54)
2	Rigid		6365654644	2,602	124 (56)		6365654643	4,753	124 (56)
1	Rigid	1070-APBF3B	6365660644	2,927	135 (61)	1070-APAB3B	6365660643	5,689	135 (61)
1 1/2	Rigid		6365661644	3,094	138 (63)		6365661643	5,865	138 (63)
2	Rigid		6365662644	3,243	143 (65)		6365662643	6,022	143 (65)
3	Rigid		6365663644	3,667	150 (68)		6365663643	6,446	150 (68)

*1/2, 3/4, 1, 1-1/2, 2 AND 3 Hp ARE 208-230/460V OR 575V.

**ORDER CIRCULATOR BY CONTROL NUMBER

TABLE 11 TEFC THREE PHASE MOTORS

HP*	MOUNT	BRONZE FITTED				ALL BRONZE			
		MODEL**	CONTROL NUMBER	LIST PRICE	WT LBS. (kg)	MODEL**	CONTROL NUMBER	LIST PRICE	WT LBS. (kg)
1/2	Rigid	1070-APBF1-1/2B	6365680644	\$1,711	86 (39)	1070-APAB1-1/2B	6365680643	\$2,878	86 (39)
3/4	Rigid		6365681644	1,845	82 (37)		6365681643	3,026	82 (37)
1	Rigid		6365682644	2,565	92 (42)		6365682643	4,427	92 (42)
1 1/2	Rigid		6365683644	2,777	115 (52)		6365683643	4,655	115 (52)
1/2	Rigid	1070-APBF2B	6365690644	1,691	90 (41)	1070-APAB2B	6365690643	2,910	90 (41)
3/4	Rigid		6365691644	1,846	96 (44)		6365691643	3,077	96 (44)
1	Rigid		6365692644	2,565	100 (45)		6365692643	3,506	100 (45)
1 1/2	Rigid		6365693644	2,955	120 (54)		6365693643	5,088	120 (54)
2	Rigid		6365694644	3,086	124 (56)		6365694643	5,235	124 (56)
1	Rigid	1070-APBF3B	6365700644	3,357	135 (61)	1070-APAB3B	6365700643	6,119	135 (61)
1 1/2	Rigid		6365701644	3,571	138 (63)		6365701643	6,342	138 (63)
2	Rigid		6365702644	3,724	143 (65)		6365702643	6,506	143 (65)
3	Rigid		6365703644	4,193	150 (68)		6365703643	6,972	150 (68)

*1/2, 3/4, 1, 1-1/2, 2 AND 3 Hp ARE 208-230/460V OR 575V.

**ORDER CIRCULATOR BY CONTROL NUMBER

LIST PRICES
 CIRCULATORS

1070-AP CUSTOM 3-PIECE CIRCULATORS
 REPAIR PARTS

	MODEL**	Description	CONTROL NUMBER	LIST PRICE
Seal Bearing Assembly	1070-APBF&AB-325	SBA-2" w/lmp	4761168999	\$ 135
	1070-APBF&AB-332,335	SBA-3"	4761169999	\$ 215
	1070-APBF&AB-345,346,341	SBA-4"	4761170999	\$ 345
	1070-APBF&AB-355,357,351,352,353,354,1A,1.25A,1.5A,2A	SBA-5"	4761171999	\$ 441
	1070-APBF&AB-369,363,364,365,366,367,368,1.5B,2B,3B	1-1/2B to 3B Bearing only	4761172999	\$ 1,261
	1070-APBF&AB-369,363,364,365,366,367,368,1.5B,2B,3B	1-1/2B to 3B SBA BF	4761173999	\$ 2,873
Couplers	1070-APBF&AB-325,335,332,341	Coupler 1/2x1/2 Spring CCW	4761180999	\$ 26
	1070-APBF&AB-345,346	Coupler 1/2x1/2 Spring CW	4761810999	\$ 35
	1070-APBF&AB-351-3,352-3,354,355,357,1A-3,1A-3,1.5A,2A	Coupler 1/2x5/8 flex	4761811999	\$ 74
	1070-APBF&AB-351-1,352-1,1A-1,1.25A-1	Coupler 1/2x1/2 flex	4761812999	\$ 60
	1070-APBF&AB-369,363,364,365,366,367,368,1.5B,2B,3B	Coupler 5/8x5/8 flex	4761813999	\$ 134
Motor Assemblies	1070-APBF&AB-325	Motor 1/12hp	5251820999	\$ 313
	1070-APBF&AB-332,335,341	Motor 1/6hp	5251821999	\$ 450
	1070-APBF&AB-345	Motor 1/4hp 48fr	5251822999	\$ 494
	1070-APBF&AB-346	Motor 1/3hp 48fr	5251823999	\$ 521
	1070-APBF&AB-351,1.25A-1	Motor 1/4hp 56c	5251824999	\$ 783
	1070-APBF&AB-352-1,1.5A-1	Motor 1/3hp 56c	5251825999	\$ 903
	1070-APBF&AB-355,353,363,1.25A,1.5A,1.5A,2A,1.5B,2B	1/2hp 1ph resilient mounted mtr	5251826999	\$ 811
	1070-APBF&AB-357,354,364,366,1.5A-1,2A-1	3/4hp 1ph resilient mounted mtr	5251827999	\$ 818
	1070-APBF&AB-355,353,363,1.25A,1.5A,1.5A,2A,1.5B,2B	1/2hp 3ph triV rigid ball bearing mtr	5251828999	\$ 593
	1070-APBF&AB-357,354,364,366,1.5A,2A,1.5B,2B	3/4hp 3ph triV rigid ball bearing mtr	5251829999	\$ 777
	1070-APBF&AB-325,332,345,346,341,355,357,351,352,353,354,1A,1.25A,1.5A,2A	2-5 and 1050 series Buna 1/2" seal kit	4761205999	\$ 41
	1070-APBF&AB-325,325,332,345,346,341,355,357,351,352,353,354,1A,1.25A,1.5A,2A	2-5 and 1050 series Viton 1/2" seal kit	4761206999	\$ 50
1070-APBF&AB-369,363,364,365,366,367,368,1.5B,2B,3B	6 and 1060 series 5/8" Buna seal kit	4761207999	\$ 138	
1070-APBF&AB-369,363,364,365,366,367,368,1.5B,2B,3B	6 and 1060 series 5/8" Viton seal kit	4761208999	\$ 398	
Mechanical Seals				

LIST PRICES

HEAT EXCHANGERS

SHELL & TUBE

F.O.B. NO. AURORA, ILLINOIS 60542
PRICING SUBJECT TO CHANGE WITHOUT NOTICE.



AURORA® · FAIRBANKS NIJHUIS®

SHELL AND TUBE HEAT EXCHANGERS

WATER to WATER Heat Exchangers

Nomenclature

1080WW - mt'l - dd - ll - p - bs - h - m₁ - m₂ - m₃ - m₄ - m₅ - m₆ - m₇ - gg

1080WWR - mt'l - dd - ll - 2 - bs - h - m₁ - m₂ - m₃ - m₄ - m₅ - m₆ - m₇ - gg

mt'l - tube side material type

- A** - 304 stainless stl tubes
- B** - 304 stainless stl tubes, tubesheet
- C** - 304 stainless stl tubes, tubesheet and head
- D** - 316 stainless stl tubes
- E** - 316 stainless stl tubes, tubesheet
- F** - 316 stainless stl tubes, tubesheet and head
- G** - Brass tubesheet

dd- nominal bundle diameter in inches

ll- nominal bundle length in feet

p- tube passes, 2 or 4

bs- baffle spacing

h - head type,

1 - cast with NPT axial connections

2 - cast with NPT or flanged radial connections

3 - fabricated with NPT axial connections

4 - fabricated with flanged radial connections

Optional Materials:

- m₁** tube material
- m₂** tubesheet material
- m₃** head material
- m₄** shell material
- m₅** baffle material
- m₆** tube side gasket material
- m₇** shell side gasket material
- gg** tube gauge

Designation of Optional Material

- m₁₋₇** = **C** - copper
- S** - cast iron or carbon steel
- B** - brass or bronze
- 4** - 304 stainless steel
- 6** - 316 stainless steel
- 9** - 90 / 10 cupro-nickel
- N** - non-asbestos

Notes:

- **WW** units are liquid to liquid heat exchangers - available in 2 and/or 4 passes configuration
- **WWR** units have steam inside tubes & liquid on shell - available only in 2 pass configuration

Example

i) WWA-1208-405-1

has a 12" dia shell, 08 ft bundle length, 4 pass, 5" baffle spacing, type # 1 head, tubes are 304 Stainless Steel

ii) WWRF-1005-208-3-666SSNN-18

has a 10" dia shell, 05 ft bundle length, 2 pass, 8" baffle spacing, type #3 head, 18 ga 316 Stainless Steel tubes, tubesheets & head

iii) WW-0808-408-4-C6SSSNN-20

has an 8" dia shell, 08 ft bundle length, 4 pass, 8" baffle spacing, type #4 head, 20 ga copper tubes, 316 St. St. tubesheet

LIST PRICE SHEET WATER TO WATER UNITS

Shell & Tube Heat Exchanger Pricing Procedure

- Step 1** Find the Base Unit Price corresponding to the Length and Diameter of the heat exchanger
Step 2 Add the price of accessories or alternate material options.
 Supports / Saddles listed below, and alternate material options are shown on the worksheet titled "Alternate Material Options"
- 32.1** All Base Units of up to and including 20" in diameter include a Cast Iron Type 1 Head
 All Base Units of greater than 20" in diameter include a fabricated Type 4 Head
- Note 2** All Base Units include a carbon steel shell, a carbon steel tubesheet, carbon steel baffles/spacers, carbon steel tie rods, carbon steel hardware, non asbestos gaskets, and 3/4 in OD copper tubing (20 gauge)
- Note 3** NA = Not Available

MODEL Unit Lengths	BASE UNIT PRICES (STANDARD AND EXTENDED SHELL) AND SHIPPING WEIGHTS (lbs)													
	Unit Diameters													
	04"		06"		08"		10"		12"		14"		16"	
WW & WWR	LIST	WT	LIST	WT	LIST	WT	LIST	WT	LIST	WT	LIST	WT	LIST	WT
2 ft	\$1,808	60	\$2,486	132	\$3,969	220	NA	NA	NA	NA	NA	NA	NA	NA
3 ft	\$1,998	76	\$2,938	159	\$4,670	260	\$6,152	400	\$8,208	565	\$11,158	695	\$13,547	900
4 ft	\$2,193	92	\$3,302	186	\$5,446	300	\$7,279	460	\$9,312	670	\$13,760	815	\$15,960	1,050
5 ft	\$2,389	108	\$3,559	213	\$6,042	340	\$8,406	520	\$10,977	775	\$15,943	935	\$18,267	1,200
6 ft	\$2,583	124	\$4,131	240	\$6,804	380	\$9,477	580	\$13,050	880	\$17,799	1,055	\$20,679	1,350
7 ft	\$2,780	140	\$4,523	267	\$7,684	420	\$10,864	640	\$14,103	985	\$19,128	1,180	\$23,094	1,500
8 ft	\$2,957	156	\$4,867	294	\$8,439	460	\$12,232	700	\$15,764	1,090	\$21,375	1,300	\$25,401	1,650
9 ft	\$3,153	172	\$5,373	321	\$8,884	500	\$13,318	760	\$17,345	1,195	\$23,510	1,420	\$27,917	1,800
10 ft	\$3,477	186	\$5,644	348	\$9,522	540	\$14,507	820	\$18,851	1,300	\$25,544	1,540	\$30,332	1,950
11 ft	NA	NA	\$5,886	375	\$10,116	580	\$15,787	880	\$20,288	1,405	\$27,482	1,661	\$32,744	2,100
12 ft	NA	NA	\$6,638	402	\$10,879	620	\$16,422	940	\$21,905	1,510	\$29,243	1,781	\$35,155	2,250
13 ft	NA	NA	NA	NA	\$11,397	660	\$17,394	1,000	\$23,227	1,615	\$31,240	1,902	\$37,569	2,400
14 ft	NA	NA	NA	NA	\$12,840	700	\$18,324	1,060	\$24,491	1,720	\$33,177	2,022	\$39,876	2,550
15 ft	NA	NA	NA	NA	NA	NA	\$19,287	1,120	\$25,763	1,825	\$35,241	2,143	\$42,289	2,700

WW & WWR	18"		20'		22"		24"		26'		28"		30"	
	LIST	WT	LIST	WT	LIST	WT	LIST	WT	LIST	WT	LIST	WT	LIST	WT
3 ft	\$16,230	1,050	\$21,553	1,260	\$35,230	1,610	\$44,058	1,985	\$47,624	2,510	\$68,821	3,130	\$70,326	3,908
4 ft	\$18,118	1,250	\$25,660	1,500	\$42,325	1,799	\$50,613	2,248	\$54,782	2,810	\$72,054	3,513	\$81,528	4,391
5 ft	\$20,768	1,450	\$29,540	1,740	\$43,542	1,996	\$53,648	2,518	\$62,984	3,119	\$76,307	3,899	\$89,519	4,874
6 ft	\$23,535	1,650	\$31,903	1,980	\$50,337	2,236	\$63,003	2,845	\$72,450	3,494	\$84,192	4,367	\$102,479	5,459
7 ft	\$27,002	1,850	\$36,842	2,220	\$59,654	2,527	\$70,259	3,272	\$80,784	3,948	\$96,341	4,935	\$115,952	6,168
8 ft	\$28,944	2,050	\$40,721	2,460	\$63,168	2,906	\$79,417	3,828	\$85,155	4,540	\$101,540	5,675	\$122,255	7,094
9 ft	\$31,825	2,250	\$43,362	2,700	\$65,957	3,399	\$81,790	4,632	\$95,267	5,312	\$113,378	6,640	\$132,350	8,300
10 ft	\$34,587	2,450	\$49,599	2,940	\$71,200	4,113	\$89,386	5,095	\$103,141	6,427	\$122,659	8,034	\$142,447	10,042
11 ft	\$37,340	2,650	\$53,511	3,180	\$76,434	4,499	\$96,716	5,570	\$110,608	7,030	\$131,458	8,788	\$152,541	10,984
12 ft	\$38,957	2,850	\$57,683	3,420	\$81,659	4,884	\$103,788	6,044	\$117,695	7,633	\$139,813	9,541	\$162,638	11,926
13 ft	\$42,876	3,050	\$61,677	3,660	\$86,877	5,270	\$110,617	6,519	\$124,429	8,236	\$147,755	10,295	\$172,734	12,868
14 ft	\$45,531	3,250	\$64,904	3,900	\$92,089	5,656	\$117,222	6,993	\$131,035	8,838	\$155,537	11,048	\$182,831	13,809
15 ft	\$48,437	3,450	\$67,869	4,140	\$94,946	6,041	\$128,891	7,468	NA	NA	NA	NA	NA	NA

ADDER - CARBON STEEL ADJUSTABLE SUPPORTS (Price per pair)													
Unit Diameters													
04"	06"	08"	10"	12"	14"	16"	18"	20"	22"	24"	26"	28"	30"
\$324	\$383	\$451	\$533	\$628	\$740	\$874	\$1,030	\$1,216	\$1,436	\$1,693	\$2,000	\$2,359	\$2,783

- Note 1** Type # 2 heads are only available for 2 pass configurations
Note 3 NA = Not Available

LIST PRICE SHEET
WATER TO WATER UNITS

HEADS

HEADS TYPE 1 - CAST IRON									
MODEL WW & WWR	04"	06"	08"	10"	12"	14"	16"	18"	20"
2 ft - 15ft	Included	Included	Included	Included	Included	Included	Included	Included	Included

ADDER - HEADS TYPE 2 - CAST IRON (2 PASS ONLY)									
MODEL WW & WWR	04"	06"	08"	10"	12"	14"	16"	18"	20"
2 ft - 15ft	\$438	\$479	\$964	\$1,070	\$1,127	\$1,291	\$1,406	\$1,726	\$2,910

ADDER - HEADS TYPE 1 - CAST BRONZE									
MODEL WW & WWR	04"	06"	08"	10"	12"	14"	16"	18"	20"
2 ft - 15ft	\$486	\$1,127	\$1,406	\$2,667	\$3,034	\$4,840	\$5,405	NA	NA

ADDER - HEADS TYPE 2 - CAST BRONZE (2 PASS ONLY)									
MODEL WW & WWR	04"	06"	08"	10"	12"	14"	16"	18"	20"
2 ft - 15ft	\$1,021	\$2,343	\$3,484	\$5,931	\$7,421	\$10,635	\$11,893	NA	NA

ADDER - HEADS TYPE 3 - 316 STAINLESS STEEL					
MODEL WW & WWR	04"	06"	08"	10"	12"
2 ft - 15ft	\$1,877	\$2,220	\$2,886	\$5,266	\$5,529

ADDER - HEADS TYPE 4 - CARBON STEEL														
MODEL WW & WWR	04"	06"	08"	10"	12"	14"	16"	18"	20"	22"	24"	26"	28"	30"
2 ft - 15ft	\$1,757	\$1,957	\$2,255	\$2,782	\$3,074	\$3,461	\$3,791	\$4,174	\$4,380	included	included	included	included	included

LIST PRICE SHEET
WATER TO WATER UNITS

TUBING

ADDER - TUBING - 18 Ga Copper														
MODEL WW & WWR	04"	06"	08"	10"	12"	14"	16"	18"	20"	22"	24"	26"	28"	30"
2 ft	\$82	\$197	\$374	\$622	NA	NA	NA	NA	NA	NA	NA	NA	NA	NA
3 ft	\$128	\$331	\$592	\$943	\$1,325	\$1,767	\$2,267	\$2,568	\$3,589	\$4,387	\$5,468	\$6,459	\$7,807	\$9,364
4 ft	\$166	\$448	\$795	\$1,277	\$1,790	\$2,389	\$3,067	\$3,483	\$4,932	\$5,965	\$7,381	\$8,674	\$10,416	\$12,419
5 ft	\$219	\$564	\$996	\$1,609	\$2,256	\$3,011	\$3,869	\$4,398	\$6,257	\$7,545	\$9,295	\$10,913	\$13,064	\$15,512
6 ft	\$266	\$680	\$1,196	\$1,941	\$2,720	\$3,631	\$4,669	\$5,313	\$7,579	\$9,124	\$11,210	\$13,141	\$15,695	\$18,585
7 ft	\$311	\$797	\$1,399	\$2,274	\$3,187	\$4,253	\$5,471	\$6,230	\$8,902	\$10,702	\$13,126	\$15,367	\$18,326	\$21,662
8 ft	\$356	\$913	\$1,601	\$2,606	\$3,651	\$4,874	\$6,271	\$7,146	\$10,225	\$12,281	\$15,041	\$17,595	\$20,957	\$24,739
9 ft	\$404	\$1,027	\$1,803	\$2,938	\$4,115	\$5,495	\$7,071	\$8,061	\$11,547	\$13,861	\$16,955	\$19,822	\$23,590	\$27,814
10 ft	\$453	\$1,144	\$2,005	\$3,272	\$4,582	\$6,116	\$7,871	\$8,976	\$12,871	\$15,440	\$18,870	\$22,048	\$26,220	\$30,891
11 ft	NA	\$1,260	\$2,208	\$3,604	\$5,046	\$6,737	\$8,687	\$9,905	\$14,194	\$17,020	\$20,786	\$24,275	\$28,851	\$33,966
12 ft	NA	\$1,374	\$2,408	\$3,937	\$5,510	\$7,356	\$9,457	\$10,792	\$15,518	\$18,599	\$22,701	\$26,501	\$31,484	\$37,041
13 ft	NA	NA	\$2,609	\$4,268	\$5,977	\$7,979	\$10,259	\$11,708	\$16,840	\$20,176	\$24,616	\$28,728	\$34,115	\$40,119
14 ft	NA	NA	\$2,810	\$4,602	\$6,441	\$8,600	\$11,031	\$12,594	\$18,149	\$21,756	\$26,532	\$30,955	\$36,746	\$43,193
15 ft	NA	NA	NA	\$4,933	\$6,908	\$9,221	\$11,802	\$13,481	\$19,487	\$23,336	\$28,446	NA	NA	NA

ADDER - TUBING - 9010 CuNi														
MODEL WW & WWR	04"	06"	08"	10"	12"	14"	16"	18"	20"	22"	24"	26"	28"	30"
2 ft	\$240	\$579	\$1,110	\$1,845	NA	NA	NA	NA	NA	NA	NA	NA	NA	NA
3 ft	\$375	\$981	\$1,755	\$2,799	\$3,930	\$5,241	\$6,725	\$7,614	\$10,649	\$13,015	\$16,216	\$19,163	\$23,161	\$27,780
4 ft	\$492	\$1,327	\$2,354	\$3,784	\$5,310	\$7,085	\$9,101	\$10,331	\$14,632	\$17,700	\$21,899	\$25,735	\$30,903	\$36,842
5 ft	\$649	\$1,672	\$2,953	\$4,772	\$6,690	\$8,928	\$11,475	\$13,047	\$18,558	\$22,382	\$27,577	\$32,375	\$38,756	\$46,014
6 ft	\$783	\$2,016	\$3,552	\$5,758	\$8,070	\$10,771	\$13,850	\$15,762	\$22,482	\$27,065	\$33,257	\$38,980	\$46,562	\$55,138
7 ft	\$921	\$2,361	\$4,151	\$6,744	\$9,451	\$12,614	\$16,227	\$18,479	\$26,407	\$31,750	\$38,939	\$45,590	\$54,366	\$64,264
8 ft	\$1,058	\$2,704	\$4,751	\$7,731	\$10,830	\$14,458	\$18,601	\$21,195	\$30,333	\$36,436	\$44,619	\$52,194	\$62,171	\$73,390
9 ft	\$1,193	\$3,048	\$5,347	\$8,718	\$12,210	\$16,299	\$20,975	\$23,910	\$34,257	\$41,121	\$50,301	\$58,800	\$69,980	\$82,512
10 ft	\$1,346	\$3,393	\$5,947	\$9,703	\$13,591	\$18,144	\$23,350	\$26,626	\$38,184	\$45,804	\$55,982	\$65,408	\$77,785	\$91,638
11 ft	NA	\$3,736	\$6,545	\$10,691	\$14,970	\$19,984	\$25,767	\$29,384	\$42,108	\$50,488	\$61,663	\$72,015	\$85,590	\$100,762
12 ft	NA	\$4,080	\$7,142	\$11,677	\$16,349	\$21,826	\$28,056	\$32,014	\$46,033	\$55,175	\$67,343	\$78,622	\$93,396	\$109,888
13 ft	NA	NA	\$7,740	\$12,664	\$17,730	\$23,669	\$30,430	\$34,730	\$49,958	\$59,858	\$73,024	\$85,226	\$101,204	\$119,014
14 ft	NA	NA	\$8,337	\$13,650	\$19,108	\$25,512	\$32,723	\$37,361	\$53,841	\$64,541	\$78,708	\$91,836	\$109,009	\$128,137
15 ft	NA	NA	NA	\$15,367	\$21,512	\$28,721	\$36,761	\$41,991	\$60,699	\$72,686	\$84,389	NA	NA	NA

ADDER - TUBING - 316 SS														
MODEL WW & WWR	04"	06"	08"	10"	12"	14"	16"	18"	20"	22"	24"	26"	28"	30"
2 ft	\$106	\$317	\$595	\$1,222	NA	NA	NA	NA	NA	NA	NA	NA	NA	NA
3 ft	\$154	\$478	\$898	\$1,412	\$2,030	\$2,743	\$3,551	\$4,453	\$5,740	\$8,781	\$10,983	\$13,570	\$15,730	\$18,905
4 ft	\$204	\$644	\$1,201	\$1,891	\$2,728	\$3,689	\$4,791	\$6,024	\$7,823	\$11,890	\$14,808	\$17,474	\$21,002	\$25,088
5 ft	\$258	\$805	\$1,505	\$2,375	\$3,422	\$4,639	\$6,030	\$7,592	\$9,909	\$15,017	\$18,630	\$21,937	\$26,280	\$31,279
6 ft	\$304	\$971	\$1,808	\$2,693	\$4,120	\$5,590	\$7,273	\$9,159	\$11,996	\$18,130	\$22,453	\$26,398	\$31,559	\$37,458
7 ft	\$356	\$1,139	\$2,115	\$3,335	\$4,813	\$6,539	\$8,515	\$10,729	\$14,083	\$21,259	\$26,280	\$30,861	\$36,827	\$43,644
8 ft	\$407	\$1,299	\$2,418	\$3,817	\$5,506	\$7,488	\$9,752	\$12,297	\$16,172	\$24,386	\$30,107	\$35,321	\$42,105	\$49,826
9 ft	\$461	\$1,463	\$2,721	\$4,299	\$6,201	\$8,435	\$10,988	\$13,865	\$18,258	\$27,507	\$33,930	\$39,787	\$47,381	\$56,008
10 ft	\$507	\$1,628	\$3,022	\$4,780	\$6,899	\$9,385	\$12,229	\$15,431	\$20,344	\$30,629	\$37,759	\$44,248	\$52,658	\$62,188
11 ft	NA	\$1,729	\$3,216	\$5,258	\$7,594	\$10,331	\$13,469	\$16,999	\$22,433	\$33,752	\$41,581	\$48,710	\$57,936	\$68,374
12 ft	NA	\$1,892	\$3,508	\$5,740	\$8,288	\$11,279	\$14,711	\$18,566	\$24,522	\$36,878	\$45,409	\$53,176	\$63,208	\$74,559
13 ft	NA	NA	\$3,800	\$6,217	\$8,985	\$12,229	\$15,946	\$20,135	\$26,607	\$40,004	\$49,230	\$57,638	\$68,481	\$80,741
14 ft	NA	NA	\$4,095	\$6,703	\$9,679	\$13,177	\$17,188	\$21,706	\$28,693	\$43,125	\$53,058	\$62,097	\$73,756	\$86,923
15 ft	NA	NA	NA	\$7,182	\$10,376	\$14,126	\$18,427	\$23,274	\$30,780	\$46,246	\$56,880	NA	NA	NA

LIST PRICE SHEET
WATER TO WATER UNITS

BAFFLES

ADDER - BAFFLES - BRASS														
MODEL WWX and WWRX	04"	06"	08"	10"	12"	14"	16"	18"	20"	22"	24"	26"	28"	30"
2 ft	\$31	\$55	\$86	\$220	NA	NA	NA	NA	NA	NA	NA	NA	NA	NA
3 ft	\$31	\$98	\$144	\$256	\$397	\$502	\$589	\$824	\$1,327	\$2,304	\$2,355	\$6,092	\$6,983	\$13,572
4 ft	\$31	\$144	\$208	\$388	\$593	\$758	\$881	\$1,239	\$1,991	\$3,454	\$3,529	\$6,092	\$6,983	\$13,572
5 ft	\$42	\$168	\$270	\$518	\$790	\$1,003	\$1,171	\$1,444	\$2,095	\$3,454	\$3,529	\$7,308	\$8,379	\$16,286
6 ft	\$58	\$195	\$301	\$643	\$987	\$1,255	\$1,317	\$1,650	\$2,652	\$4,605	\$4,708	\$7,308	\$8,379	\$16,286
7 ft	\$67	\$219	\$338	\$705	\$1,183	\$1,508	\$1,466	\$2,063	\$2,859	\$4,605	\$4,708	\$8,771	\$10,056	\$19,542
8 ft	\$81	\$242	\$366	\$770	\$1,377	\$1,755	\$1,757	\$2,473	\$3,519	\$5,750	\$5,884	\$8,771	\$10,056	\$19,542
9 ft	\$92	\$288	\$397	\$897	\$1,474	\$1,884	\$2,046	\$2,680	\$3,625	\$5,750	\$5,884	\$10,525	\$12,066	\$23,451
10 ft	\$106	\$317	\$427	\$1,028	\$1,571	\$2,008	\$2,192	\$2,886	\$4,180	\$6,899	\$7,062	\$10,525	\$12,066	\$23,451
11 ft	NA	\$339	\$461	\$1,092	\$1,765	\$2,258	\$2,337	\$3,296	\$4,385	\$6,899	\$7,062	\$12,630	\$14,479	\$28,142
12 ft	NA	\$364	\$490	\$1,154	\$1,872	\$2,512	\$2,630	\$3,710	\$5,050	\$8,050	\$8,239	\$12,630	\$14,479	\$28,142
13 ft	NA	NA	\$524	\$1,280	\$1,959	\$2,639	\$2,922	\$3,917	\$5,154	\$8,050	\$8,239	\$15,156	\$17,375	\$33,770
14 ft	NA	NA	\$558	\$1,407	\$2,153	\$2,763	\$3,070	\$4,122	\$5,712	\$9,197	\$9,414	\$15,156	\$17,375	\$33,770
15 ft	NA	NA	NA	\$1,536	\$2,400	\$3,015	\$3,214	\$4,537	\$5,918	\$9,197	\$9,414	NA	NA	NA

TUBE SHEETS

ADDER - TUBE SHEET - CARBON STEEL														
MODEL WW & WWR	04"	06"	08"	10"	12"	14"	16"	18"	20"	22"	24"	26"	28"	30"
2 ft - 15ft	included	included	included	included	included	included	included	included	included	included	included	included	included	included

ADDER - TUBE SHEET - BRASS														
MODEL WW & WWR	04"	06"	08"	10"	12"	14"	16"	18"	20"	22"	24"	26"	28"	30"
2 ft - 15ft	\$341	\$493	\$698	\$1,191	\$3,108	\$4,779	\$5,588	\$6,371	\$8,902	\$12,615	\$17,773	\$19,541	\$25,213	\$32,436

ADDER - TUBE SHEET - 316 SS														
MODEL WW & WWR	04"	06"	08"	10"	12"	14"	16"	18"	20"	22"	24"	26"	28"	30"
2 ft - 15ft	\$264	\$318	\$499	\$742	\$2,044	\$2,437	\$4,757	\$6,149	\$8,859	\$10,045	\$12,392	\$14,005	\$18,127	\$23,293

SHELL AND TUBE HEAT EXCHANGERS

STEAM TO WATER Heat Exchangers

Nomenclature

1080ST - mt'l - dd - ll - p - 00 - h - m₁ - m₂ - m₃ - m₄ - m₅ - m₆ - m₇ - gg

1080ST - mt'l - dd - ll - p - 00 E- h - m₁ - m₂ - m₃ - m₄ - m₅ - m₆ - m₇ - gg

mt'l - tube side material type

- A** - 304 stainless stl tubes
- B** - 304 stainless stl tubes, tubesheet
- C** - 304 stainless stl tubes, tubesheet and head
- D** - 316 stainless stl tubes
- E** - 316 stainless stl tubes, tubesheet
- F** - 316 stainless stl tubes, tubesheet and head
- G** - Brass tubesheet

dd- nominal bundle diameter in inches

ll- nominal bundle length in feet

p- tube passes, 2 or 4

bs- baffle spacing

h - head type,

1 - cast with NPT axial connections

2 - cast with NPT or flanged radial connections

3 - fabricated with NPT axial connections

4 - fabricated with flanged radial connections

Optional Materials:

- m₁** tube material
- m₂** tubesheet material
- m₃** head material
- m₄** shell material
- m₅** baffle material
- m₆** tube side gasket material
- m₇** shell side gasket material
- gg** tube gauge

Designation of Optional Material

- m₁₋₇** = **C** - copper
- S** - cast iron or carbon steel
- B** - brass or bronze
- 4** - 304 stainless steel
- 6** - 316 stainless steel
- 9** - 90 / 10 cupro-nickel
- N** - non-asbestos

Notes:

- **ST** units are steam to liquid heat exchangers - available in 2 and/or 4 passes configuration
- An '**E**' between the baffle spacing and the head type denotes an extended shell is used (for steam pressures 30 psig and greater). There is no price adder for this feature

Example

i) ST-1008-200-1

has a 10" dia shell, 08 ft bundle length, 2 passes, type # 1 head

ii) STD-0804-400-1-6SSSSNN-18

has an 8" dia shell, 04 ft bundle length, 4 passes, type # 1 head, and 18 gauge 316 Stainless Steel tubes

iii) STG-0605-400E-1CBBSSNN-20

has a 6" dia shell, 05 ft bundle length, 4 passes, Extended shell, type # 1 head

LIST PRICE SHEET STEAM TO WATER UNITS

Shell & Tube Heat Exchanger Pricing Procedure

- Step 1** Find the Base Unit Price corresponding to the Length and Diameter of the heat exchanger (RTB pricing is listed on an alternate worksheet)
- Step 2** Add the price of accessories or alternate material options.
Supports / Saddles listed below, and alternate material options are shown on the worksheet titled "Alternate Material Options"
- Note 1** All Base Units of up to and including 20" in diameter include a Cast Iron Type 1 Head
All Base Units of greater than 20" in diameter include a fabricated Type 4 Head
- Note 2** All Base Units include a carbon steel shell, a carbon steel tubesheet, carbon steel baffles/spacers, carbon steel tie rods, carbon steel hardware, non asbestos gaskets, and 3/4 in OD copper tubing (20 gauge)
- Note 3** NA = Not Available

MODEL Unit Lengths	BASE UNIT PRICES (STANDARD AND EXTENDED SHELL) AND SHIPPING WEIGHTS (lbs)													
	Unit Diameters													
	04"		06"		08"		10"		12"		14"		16"	
ST	LIST	WT	LIST	WT	LIST	WT	LIST	WT	LIST	WT	LIST	WT	LIST	WT
2 ft	\$1,756	60	\$2,415	132	\$3,853	220	NA	NA	NA	NA	NA	NA	NA	NA
3 ft	\$1,940	76	\$2,852	159	\$4,534	260	\$5,973	400	\$7,968	565	\$10,835	695	\$13,153	900
4 ft	\$2,130	92	\$3,204	186	\$5,288	300	\$7,068	460	\$9,042	670	\$13,360	815	\$15,496	1,050
5 ft	\$2,320	108	\$3,456	213	\$5,866	340	\$8,163	520	\$10,657	775	\$15,478	935	\$17,736	1,200
6 ft	\$2,509	124	\$4,012	240	\$6,607	380	\$9,202	580	\$12,670	880	\$17,280	1,055	\$20,079	1,350
7 ft	\$2,699	140	\$4,392	267	\$7,459	420	\$10,548	640	\$13,693	985	\$18,571	1,180	\$22,421	1,500
8 ft	\$2,871	156	\$4,725	294	\$8,194	460	\$11,875	700	\$15,306	1,090	\$20,753	1,300	\$24,662	1,650
9 ft	\$3,062	172	\$5,217	321	\$8,627	500	\$12,931	760	\$16,840	1,195	\$22,825	1,420	\$27,106	1,800
10 ft	\$3,376	186	\$5,479	348	\$9,245	540	\$14,084	820	\$18,303	1,300	\$24,801	1,540	\$29,448	1,950
11 ft	NA	NA	\$5,714	375	\$9,822	580	\$15,328	880	\$19,698	1,405	\$26,683	1,661	\$31,791	2,100
12 ft	NA	NA	\$6,446	402	\$10,562	620	\$15,944	940	\$21,266	1,510	\$28,392	1,781	\$34,132	2,250
13 ft	NA	NA	NA	NA	\$11,067	660	\$16,888	1,000	\$22,552	1,615	\$30,332	1,902	\$36,475	2,400
14 ft	NA	NA	NA	NA	\$12,467	700	\$17,792	1,060	\$23,778	1,720	\$32,211	2,022	\$38,715	2,550
15 ft	NA	NA	NA	NA	NA	NA	\$18,727	1,120	\$25,014	1,825	\$34,215	2,143	\$41,057	2,700

ST	18"		20"		22"		24"		26"		28"		30"	
	LIST	WT	LIST	WT	LIST	WT	LIST	WT	LIST	WT	LIST	WT	LIST	WT
3 ft	\$15,757	1,050	\$20,926	1,260	\$34,205	1,610	\$42,774	1,985	\$46,238	2,510	\$66,818	3,130	\$68,277	3,908
4 ft	\$17,590	1,250	\$24,913	1,500	\$41,094	1,799	\$49,139	2,248	\$53,188	2,810	\$69,956	3,513	\$79,154	4,391
5 ft	\$20,164	1,450	\$28,681	1,740	\$42,275	1,996	\$52,085	2,518	\$61,149	3,119	\$74,085	3,899	\$86,912	4,874
6 ft	\$22,850	1,650	\$30,973	1,980	\$48,872	2,236	\$61,166	2,845	\$70,340	3,494	\$81,741	4,367	\$99,497	5,459
7 ft	\$26,217	1,850	\$35,770	2,220	\$57,918	2,527	\$68,212	3,272	\$78,432	3,948	\$93,535	4,935	\$112,575	6,168
8 ft	\$28,101	2,050	\$39,535	2,460	\$61,329	2,906	\$77,103	3,828	\$82,676	4,540	\$98,584	5,675	\$118,695	7,094
9 ft	\$30,899	2,250	\$42,101	2,700	\$64,036	3,399	\$79,409	4,632	\$92,494	5,312	\$110,077	6,640	\$128,495	8,300
10 ft	\$33,580	2,450	\$48,155	2,940	\$69,126	4,113	\$86,783	5,095	\$100,138	6,427	\$119,087	8,034	\$138,299	10,042
11 ft	\$36,253	2,650	\$51,952	3,180	\$74,208	4,499	\$93,898	5,570	\$107,386	7,030	\$127,631	8,788	\$148,099	10,984
12 ft	\$37,823	2,850	\$56,003	3,420	\$79,282	4,884	\$100,764	6,044	\$114,267	7,633	\$135,741	9,541	\$157,902	11,926
13 ft	\$41,627	3,050	\$59,880	3,660	\$84,347	5,270	\$107,396	6,519	\$120,804	8,236	\$143,452	10,295	\$167,703	12,868
14 ft	\$44,205	3,250	\$63,014	3,900	\$89,408	5,656	\$113,809	6,993	\$127,218	8,838	\$151,008	11,048	\$177,507	13,809
15 ft	\$47,027	3,450	\$65,892	4,140	\$92,181	6,041	\$125,137	7,468	NA	NA	NA	NA	NA	NA

ADDER - CARBON STEEL ADJUSTABLE SUPPORTS (Price per pair)													
Unit Diameters													
04"	06"	08"	10"	12"	14"	16"	18"	20"	22"	24"	26"	28"	30"
\$324	\$383	\$451	\$533	\$628	\$740	\$874	\$1,030	\$1,216	\$1,436	\$1,693	\$2,000	\$2,359	\$2,783

- Note 1** Type # 2 heads are only available for 2 pass configurations
- Note 3** NA = Not Available

LIST PRICE SHEET
STEAM TO WATER UNITS

HEADS

HEADS TYPE 1 - CAST IRON									
MODEL WW & WWR	04"	06"	08"	10"	12"	14"	16"	18"	20"
2 ft - 15ft	Included	Included	Included	Included	Included	Included	Included	Included	Included

ADDER - HEADS TYPE 2 - CAST IRON (2 PASS ONLY)									
MODEL WW & WWR	04"	06"	08"	10"	12"	14"	16"	18"	20"
2 ft - 15ft	\$438	\$479	\$964	\$1,070	\$1,127	\$1,291	\$1,406	\$1,726	\$2,910

ADDER - HEADS TYPE 1 - CAST BRONZE									
MODEL WW & WWR	04"	06"	08"	10"	12"	14"	16"	18"	20"
2 ft - 15ft	\$486	\$1,127	\$1,406	\$2,667	\$3,034	\$4,840	\$5,405	NA	NA

ADDER - HEADS TYPE 2 - CAST BRONZE (2 PASS ONLY)									
MODEL WW & WWR	04"	06"	08"	10"	12"	14"	16"	18"	20"
2 ft - 15ft	\$1,021	\$2,343	\$3,484	\$5,931	\$7,421	\$10,635	\$11,893	NA	NA

ADDER - HEADS TYPE 3 - 316 STAINLESS STEEL					
MODEL WW & WWR	04"	06"	08"	10"	12"
2 ft - 15ft	\$1,877	\$2,220	\$2,886	\$5,266	\$5,529

ADDER - HEADS TYPE 4 - CARBON STEEL														
MODEL WW & WWR	04"	06"	08"	10"	12"	14"	16"	18"	20"	22"	24"	26"	28"	30"
2 ft - 15ft	\$1,757	\$1,957	\$2,255	\$2,782	\$3,074	\$3,461	\$3,791	\$4,174	\$4,380	included	included	included	included	included

LIST PRICE SHEET
STEAM TO WATER UNITS

TUBING

ADDER - TUBING - 18 Ga Copper														
MODEL WW & WWR	04"	06"	08"	10"	12"	14"	16"	18"	20"	22"	24"	26"	28"	30"
2 ft	\$82	\$197	\$374	\$622	NA	NA	NA	NA	NA	NA	NA	NA	NA	NA
3 ft	\$128	\$331	\$592	\$943	\$1,325	\$1,767	\$2,267	\$2,568	\$3,589	\$4,387	\$5,468	\$6,459	\$7,807	\$9,364
4 ft	\$166	\$448	\$795	\$1,277	\$1,790	\$2,389	\$3,067	\$3,483	\$4,932	\$5,965	\$7,381	\$8,674	\$10,416	\$12,419
5 ft	\$219	\$564	\$996	\$1,609	\$2,256	\$3,011	\$3,869	\$4,398	\$6,257	\$7,545	\$9,295	\$10,913	\$13,064	\$15,512
6 ft	\$266	\$680	\$1,196	\$1,941	\$2,720	\$3,631	\$4,669	\$5,313	\$7,579	\$9,124	\$11,210	\$13,141	\$15,695	\$18,585
7 ft	\$311	\$797	\$1,399	\$2,274	\$3,187	\$4,253	\$5,471	\$6,230	\$8,902	\$10,702	\$13,126	\$15,367	\$18,326	\$21,662
8 ft	\$356	\$913	\$1,601	\$2,606	\$3,651	\$4,874	\$6,271	\$7,146	\$10,225	\$12,281	\$15,041	\$17,595	\$20,957	\$24,739
9 ft	\$404	\$1,027	\$1,803	\$2,938	\$4,115	\$5,495	\$7,071	\$8,061	\$11,547	\$13,861	\$16,955	\$19,822	\$23,590	\$27,814
10 ft	\$453	\$1,144	\$2,005	\$3,272	\$4,582	\$6,116	\$7,871	\$8,976	\$12,871	\$15,440	\$18,870	\$22,048	\$26,220	\$30,891
11 ft	NA	\$1,260	\$2,208	\$3,604	\$5,046	\$6,737	\$8,687	\$9,905	\$14,194	\$17,020	\$20,786	\$24,275	\$28,851	\$33,966
12 ft	NA	\$1,374	\$2,408	\$3,937	\$5,510	\$7,356	\$9,457	\$10,792	\$15,518	\$18,599	\$22,701	\$26,501	\$31,484	\$37,041
13 ft	NA	NA	\$2,609	\$4,268	\$5,977	\$7,979	\$10,259	\$11,708	\$16,840	\$20,176	\$24,616	\$28,728	\$34,115	\$40,119
14 ft	NA	NA	\$2,810	\$4,602	\$6,441	\$8,600	\$11,031	\$12,594	\$18,149	\$21,756	\$26,532	\$30,955	\$36,746	\$43,193
15 ft	NA	NA	NA	\$4,933	\$6,908	\$9,221	\$11,802	\$13,481	\$19,487	\$23,336	\$28,446	NA	NA	NA

ADDER - TUBING - 9010 CuNi														
MODEL WW & WWR	04"	06"	08"	10"	12"	14"	16"	18"	20"	22"	24"	26"	28"	30"
2 ft	\$240	\$579	\$1,110	\$1,845	NA	NA	NA	NA	NA	NA	NA	NA	NA	NA
3 ft	\$375	\$981	\$1,755	\$2,799	\$3,930	\$5,241	\$6,725	\$7,614	\$10,649	\$13,015	\$16,216	\$19,163	\$23,161	\$27,780
4 ft	\$492	\$1,327	\$2,354	\$3,784	\$5,310	\$7,085	\$9,101	\$10,331	\$14,632	\$17,700	\$21,899	\$25,735	\$30,903	\$36,842
5 ft	\$649	\$1,672	\$2,953	\$4,772	\$6,690	\$8,928	\$11,475	\$13,047	\$18,558	\$22,382	\$27,577	\$32,375	\$38,756	\$46,014
6 ft	\$783	\$2,016	\$3,552	\$5,758	\$8,070	\$10,771	\$13,850	\$15,762	\$22,482	\$27,065	\$33,257	\$38,980	\$46,562	\$55,138
7 ft	\$921	\$2,361	\$4,151	\$6,744	\$9,451	\$12,614	\$16,227	\$18,479	\$26,407	\$31,750	\$38,939	\$45,590	\$54,366	\$64,264
8 ft	\$1,058	\$2,704	\$4,751	\$7,731	\$10,830	\$14,458	\$18,601	\$21,195	\$30,333	\$36,436	\$44,619	\$52,194	\$62,171	\$73,390
9 ft	\$1,193	\$3,048	\$5,347	\$8,718	\$12,210	\$16,299	\$20,975	\$23,910	\$34,257	\$41,121	\$50,301	\$58,800	\$69,980	\$82,512
10 ft	\$1,346	\$3,393	\$5,947	\$9,703	\$13,591	\$18,144	\$23,350	\$26,626	\$38,184	\$45,804	\$55,982	\$65,408	\$77,785	\$91,638
11 ft	NA	\$3,736	\$6,545	\$10,691	\$14,970	\$19,984	\$25,767	\$29,384	\$42,108	\$50,488	\$61,663	\$72,015	\$85,590	\$100,762
12 ft	NA	\$4,080	\$7,142	\$11,677	\$16,349	\$21,826	\$28,056	\$32,014	\$46,033	\$55,175	\$67,343	\$78,622	\$93,396	\$109,888
13 ft	NA	NA	\$7,740	\$12,664	\$17,730	\$23,669	\$30,430	\$34,730	\$49,958	\$59,858	\$73,024	\$85,226	\$101,204	\$119,014
14 ft	NA	NA	\$8,337	\$13,650	\$19,108	\$25,512	\$32,723	\$37,361	\$53,841	\$64,541	\$78,708	\$91,836	\$109,009	\$128,137
15 ft	NA	NA	NA	\$14,635	\$20,488	\$27,354	\$35,011	\$39,991	\$57,808	\$69,225	\$84,389	NA	NA	NA

ADDER - TUBING - 316 SS														
MODEL WW & WWR	04"	06"	08"	10"	12"	14"	16"	18"	20"	22"	24"	26"	28"	30"
2 ft	\$106	\$317	\$595	\$1,222	NA	NA	NA	NA	NA	NA	NA	NA	NA	NA
3 ft	\$154	\$478	\$898	\$1,412	\$2,030	\$2,743	\$3,551	\$4,453	\$5,740	\$8,781	\$10,983	\$13,570	\$15,730	\$18,905
4 ft	\$204	\$644	\$1,201	\$1,891	\$2,728	\$3,689	\$4,791	\$6,024	\$7,823	\$11,890	\$14,808	\$17,474	\$21,002	\$25,088
5 ft	\$258	\$805	\$1,505	\$2,375	\$3,422	\$4,639	\$6,030	\$7,592	\$9,909	\$15,017	\$18,630	\$21,937	\$26,280	\$31,279
6 ft	\$304	\$971	\$1,808	\$2,693	\$4,120	\$5,590	\$7,273	\$9,159	\$11,996	\$18,130	\$22,453	\$26,398	\$31,559	\$37,458
7 ft	\$356	\$1,139	\$2,115	\$3,335	\$4,813	\$6,539	\$8,515	\$10,729	\$14,083	\$21,259	\$26,280	\$30,861	\$36,827	\$43,644
8 ft	\$407	\$1,299	\$2,418	\$3,817	\$5,506	\$7,488	\$9,752	\$12,297	\$16,172	\$24,386	\$30,107	\$35,321	\$42,105	\$49,826
9 ft	\$461	\$1,463	\$2,721	\$4,299	\$6,201	\$8,435	\$10,988	\$13,865	\$18,258	\$27,507	\$33,930	\$39,787	\$47,381	\$56,008
10 ft	\$507	\$1,628	\$3,022	\$4,780	\$6,899	\$9,385	\$12,229	\$15,431	\$20,344	\$30,629	\$37,759	\$44,248	\$52,658	\$62,188
11 ft	NA	\$1,790	\$3,329	\$5,258	\$7,594	\$10,331	\$13,469	\$16,999	\$22,433	\$33,752	\$41,581	\$48,710	\$57,936	\$68,374
12 ft	NA	\$1,958	\$3,631	\$5,740	\$8,288	\$11,279	\$14,711	\$18,566	\$24,522	\$36,878	\$45,409	\$53,176	\$63,208	\$74,559
13 ft	NA	NA	\$3,933	\$6,217	\$8,985	\$12,229	\$15,946	\$20,135	\$26,607	\$40,004	\$49,230	\$57,638	\$68,481	\$80,741
14 ft	NA	NA	\$4,238	\$6,703	\$9,679	\$13,177	\$17,188	\$21,706	\$28,693	\$43,125	\$53,058	\$62,097	\$73,756	\$86,923
15 ft	NA	NA	NA	\$7,182	\$10,376	\$14,126	\$18,427	\$23,274	\$30,780	\$46,246	\$56,880	NA	NA	NA

LIST PRICE SHEET
STEAM TO WATER UNITS

BAFFLES

ADDER - BAFFLES - BRASS														
MODEL WWX and WWRX	04"	06"	08"	10"	12"	14"	16"	18"	20"	22"	24"	26"	28"	30"
2 ft	\$31	\$55	\$86	\$220	NA	NA	NA	NA	NA	NA	NA	NA	NA	NA
3 ft	\$31	\$98	\$144	\$256	\$397	\$502	\$589	\$824	\$1,327	\$2,304	\$2,355	\$6,092	\$6,983	\$13,572
4 ft	\$31	\$144	\$208	\$388	\$593	\$758	\$881	\$1,239	\$1,991	\$3,454	\$3,529	\$6,092	\$6,983	\$13,572
5 ft	\$42	\$168	\$270	\$518	\$790	\$1,003	\$1,171	\$1,444	\$2,095	\$3,454	\$3,529	\$7,308	\$8,379	\$16,286
6 ft	\$58	\$195	\$301	\$643	\$987	\$1,255	\$1,317	\$1,650	\$2,652	\$4,605	\$4,708	\$7,308	\$8,379	\$16,286
7 ft	\$67	\$219	\$338	\$705	\$1,183	\$1,508	\$1,466	\$2,063	\$2,859	\$4,605	\$4,708	\$8,771	\$10,056	\$19,542
8 ft	\$81	\$242	\$366	\$770	\$1,377	\$1,755	\$1,757	\$2,473	\$3,519	\$5,750	\$5,884	\$8,771	\$10,056	\$19,542
9 ft	\$92	\$288	\$397	\$897	\$1,474	\$1,884	\$2,046	\$2,680	\$3,625	\$5,750	\$5,884	\$10,525	\$12,066	\$23,451
10 ft	\$106	\$317	\$427	\$1,028	\$1,571	\$2,008	\$2,192	\$2,886	\$4,180	\$6,899	\$7,062	\$10,525	\$12,066	\$23,451
11 ft	NA	\$339	\$461	\$1,092	\$1,765	\$2,258	\$2,337	\$3,296	\$4,385	\$6,899	\$7,062	\$12,630	\$14,479	\$28,142
12 ft	NA	\$364	\$490	\$1,154	\$1,872	\$2,512	\$2,630	\$3,710	\$5,050	\$8,050	\$8,239	\$12,630	\$14,479	\$28,142
13 ft	NA	NA	\$524	\$1,280	\$1,959	\$2,639	\$2,922	\$3,917	\$5,154	\$8,050	\$8,239	\$15,156	\$17,375	\$33,770
14 ft	NA	NA	\$558	\$1,407	\$2,153	\$2,763	\$3,070	\$4,122	\$5,712	\$9,197	\$9,414	\$15,156	\$17,375	\$33,770
15 ft	NA	NA	NA	\$1,536	\$2,400	\$3,015	\$3,214	\$4,537	\$5,918	\$9,197	\$9,414	NA	NA	NA

TUBE SHEETS

ADDER - TUBE SHEET - CARBON STEEL														
MODEL WW & WWR	04"	06"	08"	10"	12"	14"	16"	18"	20"	22"	24"	26"	28"	30"
2 ft - 15ft	included	included	included	included	included	included	included	included	included	included	included	included	included	included

ADDER - TUBE SHEET - BRASS														
MODEL WW & WWR	04"	06"	08"	10"	12"	14"	16"	18"	20"	22"	24"	26"	28"	30"
2 ft - 15ft	\$341	\$493	\$698	\$1,191	\$3,108	\$4,779	\$5,588	\$6,371	\$8,902	\$12,615	\$17,773	\$19,541	\$25,213	\$32,436

ADDER - TUBE SHEET - 316 SS														
MODEL WW & WWR	04"	06"	08"	10"	12"	14"	16"	18"	20"	22"	24"	26"	28"	30"
2 ft - 15ft	\$264	\$318	\$499	\$742	\$2,044	\$2,437	\$4,757	\$6,149	\$8,859	\$10,045	\$12,392	\$14,005	\$18,127	\$23,293

LIST PRICES

PLATE HEAT EXCHANGERS

BRAZED PLATE

**F.O.B. NO. AURORA, ILLINOIS 60542
PRICING SUBJECT TO CHANGE WITHOUT NOTICE.**



AURORA® · FAIRBANKS NIJHUIS®

LIST PRICE SHEET Brazen Plate Heat Exchangers

3x8 Brazen Heat Exchangers

MODEL NUMBER	DESCRIPTION				CONTROL* NUMBER	WEIGHT LBS. (KG)	LIST
	# PLATES	WIDTH	LENGTH	MPT			
AP2H-8	8	3.40	8.90	3/4"	3230400999	2.7 (1.23)	\$181
AP2H-10	10	3.40	8.90	3/4"	3230401999	2.9 (1.32)	\$190
AP2H-12	12	3.40	8.90	3/4"	3230402999	3.2 (1.45)	\$203
AP2H-14	14	3.40	8.90	3/4"	3230403999	3.4 (1.54)	\$215
AP2H-16	16	3.40	8.90	3/4"	3230404999	3.7 (1.68)	\$225
AP2H-20	20	3.40	8.90	3/4"	3230405999	4.1 (1.86)	\$246
AP2H-24	24	3.40	8.90	3/4"	3230406999	4.6 (2.09)	\$268
AP2H-30	30	3.40	8.90	3/4"	3230407999	5.3 (2.40)	\$301
AP2H-40	40	3.40	8.90	3/4"	3230408999	6.5 (2.95)	\$350
AP2H-50	50	3.40	8.90	3/4"	3230409999	7.7 (3.50)	\$357

* ORDER HEAT EXCHANGER BY CONTROL NUMBER

3x8 Brazen Heat Exchangers - ASME Certified

MODEL NUMBER	DESCRIPTION				CONTROL* NUMBER	WEIGHT LBS. (KG)	LIST
	# PLATES	WIDTH	LENGTH	MPT			
AP2H-8	8	3.40	8.90	3/4"	3230600999	2.7 (1.23)	\$210
AP2H-10	10	3.40	8.90	3/4"	3230601999	2.9 (1.32)	\$219
AP2H-12	12	3.40	8.90	3/4"	3230602999	3.2 (1.45)	\$232
AP2H-14	14	3.40	8.90	3/4"	3230603999	3.4 (1.54)	\$244
AP2H-16	16	3.40	8.90	3/4"	3230604999	3.7 (1.68)	\$254
AP2H-20	20	3.40	8.90	3/4"	3230605999	4.1 (1.86)	\$275
AP2H-24	24	3.40	8.90	3/4"	3230606999	4.6 (2.09)	\$297
AP2H-30	30	3.40	8.90	3/4"	3230607999	5.3 (2.40)	\$329
AP2H-40	40	3.40	8.90	3/4"	3230608999	6.5 (2.95)	\$379
AP2H-50	50	3.40	8.90	3/4"	3230609999	7.7 (3.50)	\$386

* ORDER HEAT EXCHANGER BY CONTROL NUMBER

LIST PRICE SHEET Brazen Plate Heat Exchangers

5x12 Brazen Heat Exchangers

MODEL NUMBER	DESCRIPTION				CONTROL* NUMBER	WEIGHT LBS. (KG)	LIST
	# PLATES	WIDTH	LENGTH	MPT			
AP4H-8	8	5.1	13.3	3/4"	3230410999	2.7	\$303
AP4H-10	10	5.1	13.3	3/4"	3230411999	2.94	327
AP4H-12	12	5.1	13.3	3/4"	3230412999	3.18	351
AP4H-14	14	5.1	13.3	3/4"	3230413999	3.42	372
AP4H-16	16	5.1	13.3	3/4"	3230414999	3.66	395
AP4H-20	20	5.1	13.3	1"	3230415999	4.14	440
AP4H-24	24	5.1	13.3	1"	3230416999	4.62	487
AP4H-30	30	5.1	13.3	1"	3230417999	5.34	555
AP4H-36	36	5.1	13.3	1"	3230418999	6.06	624
AP4H-40	40	5.1	13.3	1-1/4"	3230419999	6.54	671
AP4H-50	50	5.1	13.3	1-1/4"	3230420999	7.74	\$788
AP4H-60	60	5.1	13.3	1-1/4"	3230421999	8.94	901
AP4H-70	70	5.1	13.3	1-1/4"	3230422999	10.14	1,020
AP4H-80	80	5.1	13.3	1-1/4"	3230423999	11.34	1,132
AP4H-90	90	5.1	13.3	1-1/4"	3230424999	12.54	1,244
AP4H-100	100	5.1	13.3	1-1/4"	3230425999	13.74	1,362
AP4H-110	110	5.1	13.3	1-1/4"	3230426999	14.94	1,477
AP4H-120	120	5.1	13.3	1-1/4"	3230427999	16.14	1,590

* ORDER HEAT EXCHANGER BY CONTROL NUMBER

5x12 Brazen Heat Exchangers - ASME Certified

MODEL NUMBER	DESCRIPTION				CONTROL* NUMBER	WEIGHT LBS. (KG)	LIST
	# PLATES	WIDTH	LENGTH	MPT			
AP4H-8	8	5.1	13.3	3/4"	3230610999	2.7	\$343
AP4H-10	10	5.1	13.3	3/4"	3230611999	2.94	\$366
AP4H-12	12	5.1	13.3	3/4"	3230612999	3.18	\$391
AP4H-14	14	5.1	13.3	3/4"	3230613999	3.42	\$413
AP4H-16	16	5.1	13.3	3/4"	3230614999	3.66	\$437
AP4H-20	20	5.1	13.3	1"	3230615999	4.14	\$483
AP4H-24	24	5.1	13.3	1"	3230616999	4.62	\$533
AP4H-30	30	5.1	13.3	1"	3230617999	5.34	\$603
AP4H-36	36	5.1	13.3	1"	3230618999	6.06	\$675
AP4H-40	40	5.1	13.3	1-1/4"	3230619999	6.54	\$723
AP4H-50	50	5.1	13.3	1-1/4"	3230620999	7.74	\$844
AP4H-60	60	5.1	13.3	1-1/4"	3230621999	8.94	\$960
AP4H-70	70	5.1	13.3	1-1/4"	3230622999	10.14	\$1,085
AP4H-80	80	5.1	13.3	1-1/4"	3230623999	11.34	\$1,201
AP4H-90	90	5.1	13.3	1-1/4"	3230624999	12.54	\$1,318
AP4H-100	100	5.1	13.3	1-1/4"	3230625999	13.74	\$1,438
AP4H-110	110	5.1	13.3	1-1/4"	3230626999	14.94	\$1,558
AP4H-120	120	5.1	13.3	1-1/4"	3230627999	16.14	\$1,674

* ORDER HEAT EXCHANGER BY CONTROL NUMBER

LIST PRICE SHEET Brazen Plate Heat Exchangers

5x20 Brazen Heat Exchangers

MODEL NUMBER	DESCRIPTION				CONTROL* NUMBER	WEIGHT LBS. (KG)	LIST
	# PLATES	WIDTH	LENGTH	MPT			
AP5H-8	8	4.9	20.8	1-1/4"	3230430999	9.13	\$425
AP5H-10	10	4.9	20.8	1-1/4"	3230431999	10.31	\$461
AP5H-14	14	4.9	20.8	1-1/4"	3230433999	12.67	\$535
AP5H-20	20	4.9	20.8	1-1/4"	3230435999	16.21	\$643
AP5H-24	24	4.9	20.8	1-1/4"	3230436999	18.57	\$713
AP5H-30	30	4.9	20.8	1-1/4"	3230437999	22.11	\$822
AP5H-40	40	4.9	20.8	1-1/4"	3230439999	28.01	\$1,003
AP5H-50	50	4.9	20.8	1-1/4"	3230440999	33.91	\$1,185
AP5H-60	60	4.9	20.8	1-1/4"	3230441999	39.81	\$1,366
AP5H-70	70	4.9	20.8	1-1/4"	3230442999	45.71	\$1,547
AP5H-80	80	4.9	20.8	1-1/4"	3230443999	51.61	\$1,725
AP5H-90	90	4.9	20.8	1-1/4"	3230444999	57.51	\$1,908
AP5H-100	100	4.9	20.8	1-1/4"	3230445999	63.41	\$2,084

* ORDER HEAT EXCHANGER BY CONTROL NUMBER

5x20 Brazen Heat Exchangers - ASME Certified

MODEL NUMBER	DESCRIPTION				CONTROL* NUMBER	WEIGHT LBS. (KG)	LIST
	# PLATES	WIDTH	LENGTH	MPT			
AP5H-8	8	4.9	20.8	1-1/4"	3230630999	9.13	\$481
AP5H-10	10	4.9	20.8	1-1/4"	3230631999	10.31	\$519
AP5H-14	14	4.9	20.8	1-1/4"	3230633999	12.67	\$592
AP5H-20	20	4.9	20.8	1-1/4"	3230635999	16.21	\$700
AP5H-24	24	4.9	20.8	1-1/4"	3230636999	18.57	\$770
AP5H-30	30	4.9	20.8	1-1/4"	3230637999	22.11	\$879
AP5H-40	40	4.9	20.8	1-1/4"	3230639999	28.01	\$1,060
AP5H-50	50	4.9	20.8	1-1/4"	3230640999	33.91	\$1,241
AP5H-60	60	4.9	20.8	1-1/4"	3230641999	39.81	\$1,422
AP5H-70	70	4.9	20.8	1-1/4"	3230642999	45.71	\$1,604
AP5H-80	80	4.9	20.8	1-1/4"	3230643999	51.61	\$1,782
AP5H-90	90	4.9	20.8	1-1/4"	3230644999	57.51	\$1,963
AP5H-100	100	4.9	20.8	1-1/4"	3230645999	63.41	\$2,142

* ORDER HEAT EXCHANGER BY CONTROL NUMBER

LIST PRICE SHEET Braze Plate Heat Exchangers

10x20 Braze Heat Exchangers

MODEL NUMBER	DESCRIPTION				CONTROL* NUMBER	WEIGHT LBS. (KG)	LIST
	# PLATES	WIDTH	LENGTH	MPT			
AP57H-20	20	9.8	20.3	1-1/2"	3230450999	51.04	\$1,371
AP57H-24	24	9.8	20.3	1-1/2"	3230451999	55.44	\$1,526
AP57H-30	30	9.8	20.3	2"	3230452999	62.04	\$1,756
AP57H-36	36	9.8	20.3	2"	3230453999	68.64	\$1,990
AP57H-40	40	9.8	20.3	2"	3230454999	73.04	\$2,145
AP57H-50	50	9.8	20.3	2-1/2"	3230455999	84.04	\$2,519
AP57H-60	60	9.8	20.3	2-1/2"	3230456999	95.04	\$2,889
AP57H-70	70	9.8	20.3	2-1/2"	3230457999	106.04	\$3,255
AP57H-80	80	9.8	20.3	2-1/2"	3230458999	117.04	\$3,613
AP57H-90	90	9.8	20.3	2-1/2"	3230459999	128.04	\$3,964
AP57H-100	100	9.8	20.3	2-1/2"	3230460999	139.04	\$4,309
AP57H-110	110	9.8	20.3	2-1/2"	3230461999	150.04	\$4,702
AP57H-120	120	9.8	20.3	2-1/2"	3230462999	161.04	\$5,060
AP57H-130	130	9.8	20.3	2-1/2"	3230463999	172.04	\$5,408
AP57H-140	140	9.8	20.3	2-1/2"	3230464999	183.04	\$5,832
AP57H-150	150	9.8	20.3	2-1/2"	3230465999	194.04	\$6,194
AP57H-160	160	9.8	20.3	2-1/2"	3230466999	205.04	\$6,548
AP57H-170	170	9.8	20.3	2-1/2"	3230467999	216.04	\$7,179
AP57H-180	180	9.8	20.3	2-1/2"	3230468999	227.04	\$7,536
AP57H-190	190	9.8	20.3	2-1/2"	3230469999	238.04	\$7,876
AP57H-200	200	9.8	20.3	2-1/2"	3230470999	249.04	\$8,218

* ORDER HEAT EXCHANGER BY CONTROL NUMBER

10x20 Braze Heat Exchangers - ASME Certified

MODEL NUMBER	DESCRIPTION				CONTROL* NUMBER	WEIGHT LBS. (KG)	LIST
	# PLATES	WIDTH	LENGTH	MPT			
AP57H-20	20	9.8	20.3	1-1/2"	3230650999	51.04	\$1,485
AP57H-24	24	9.8	20.3	1-1/2"	3230651999	55.44	\$1,639
AP57H-30	30	9.8	20.3	2"	3230652999	62.04	\$1,870
AP57H-36	36	9.8	20.3	2"	3230653999	68.64	\$2,104
AP57H-40	40	9.8	20.3	2"	3230654999	73.04	\$2,258
AP57H-50	50	9.8	20.3	2-1/2"	3230655999	84.04	\$2,633
AP57H-60	60	9.8	20.3	2-1/2"	3230656999	95.04	\$3,003
AP57H-70	70	9.8	20.3	2-1/2"	3230657999	106.04	\$3,369
AP57H-80	80	9.8	20.3	2-1/2"	3230658999	117.04	\$3,728
AP57H-90	90	9.8	20.3	2-1/2"	3230659999	128.04	\$4,079
AP57H-100	100	9.8	20.3	2-1/2"	3230660999	139.04	\$4,424
AP57H-110	110	9.8	20.3	2-1/2"	3230661999	150.04	\$4,817
AP57H-120	120	9.8	20.3	2-1/2"	3230662999	161.04	\$5,174
AP57H-130	130	9.8	20.3	2-1/2"	3230663999	172.04	\$5,522
AP57H-140	140	9.8	20.3	2-1/2"	3230664999	183.04	\$5,947
AP57H-150	150	9.8	20.3	2-1/2"	3230665999	194.04	\$6,308
AP57H-160	160	9.8	20.3	2-1/2"	3230666999	205.04	\$6,663
AP57H-170	170	9.8	20.3	2-1/2"	3230667999	216.04	\$7,294
AP57H-180	180	9.8	20.3	2-1/2"	3230668999	227.04	\$7,650
AP57H-190	190	9.8	20.3	2-1/2"	3230669999	238.04	\$7,991
AP57H-200	200	9.8	20.3	2-1/2"	3230670999	249.04	\$8,332

* ORDER HEAT EXCHANGER BY CONTROL NUMBER

LIST PRICE SHEET Braze Plate Heat Exchangers

15x34 Braze Heat Exchangers

MODEL NUMBER	DESCRIPTION				CONTROL* NUMBER	WEIGHT LBS. (KG)	LIST
	# PLATES	WIDTH	LENGTH	MPT			
AP10H-50	50	15.2	34.5	3" FLG	3230475999	227.1	\$8,757
AP10H-60	60	15.2	34.5	3" FLG	3230476999	255.1	\$9,508
AP10H-70	70	15.2	34.5	3" FLG	3230477999	283.1	\$10,255
AP10H-80	80	15.2	34.5	3" FLG	3230478999	311.1	\$11,004
AP10H-90	90	15.2	34.5	3" FLG	3230479999	339.1	\$11,752
AP10H-100	100	15.2	34.5	4" FLG	3230480999	367.1	\$12,503
AP10H-110	110	15.2	34.5	4" FLG	3230481999	395.1	\$13,251
AP10H-120	120	15.2	34.5	4" FLG	3230482999	423.1	\$14,001
AP10H-130	130	15.2	34.5	4" FLG	3230483999	451.1	\$14,749
AP10H-140	140	15.2	34.5	4" FLG	3230484999	479.1	\$15,498
AP10H-150	150	15.2	34.5	4" FLG	3230485999	507.1	\$16,245
AP10H-160	160	15.2	34.5	4" FLG	3230486999	535.1	\$16,994
AP10H-170	170	15.2	34.5	4" FLG	3230487999	563.1	\$17,744
AP10H-180	180	15.2	34.5	4" FLG	3230488999	591.1	\$18,491
AP10H-190	190	15.2	34.5	4" FLG	3230489999	619.1	\$19,242
AP10H-200	200	15.2	34.5	4" FLG	3230490999	647.1	\$19,990
AP10H-220	220	15.2	34.5	4" FLG	3230491999	703.1	\$21,488
AP10H-240	240	15.2	34.5	4" FLG	3230492999	759.1	\$22,985
AP10H-260	260	15.2	34.5	4" FLG	3230493999	815.1	\$24,480
AP10H-280	280	15.2	34.5	4" FLG	3230494999	871.1	\$25,976
AP10H-300	300	15.2	34.5	4" FLG	3230495999	927.1	\$27,475

* ORDER HEAT EXCHANGER BY CONTROL NUMBER

15x34 Braze Heat Exchangers - ASME Certified

MODEL NUMBER	DESCRIPTION				CONTROL* NUMBER	WEIGHT LBS. (KG)	LIST
	# PLATES	WIDTH	LENGTH	MPT			
AP10H-50	50	15.2	34.5	3" FLG	3230675999	227.1	\$9,077
AP10H-60	60	15.2	34.5	3" FLG	3230676999	255.1	\$9,827
AP10H-70	70	15.2	34.5	3" FLG	3230677999	283.1	\$10,575
AP10H-80	80	15.2	34.5	3" FLG	3230678999	311.1	\$11,324
AP10H-90	90	15.2	34.5	3" FLG	3230679999	339.1	\$12,071
AP10H-100	100	15.2	34.5	4" FLG	3230680999	367.1	\$12,823
AP10H-110	110	15.2	34.5	4" FLG	3230681999	395.1	\$13,570
AP10H-120	120	15.2	34.5	4" FLG	3230682999	423.1	\$14,321
AP10H-130	130	15.2	34.5	4" FLG	3230683999	451.1	\$15,068
AP10H-140	140	15.2	34.5	4" FLG	3230684999	479.1	\$15,818
AP10H-150	150	15.2	34.5	4" FLG	3230685999	507.1	\$16,565
AP10H-160	160	15.2	34.5	4" FLG	3230686999	535.1	\$17,313
AP10H-170	170	15.2	34.5	4" FLG	3230687999	563.1	\$18,064
AP10H-180	180	15.2	34.5	4" FLG	3230688999	591.1	\$18,810
AP10H-190	190	15.2	34.5	4" FLG	3230689999	619.1	\$19,562
AP10H-200	200	15.2	34.5	4" FLG	3230690999	647.1	\$20,309
AP10H-220	220	15.2	34.5	4" FLG	3230691999	703.1	\$21,806
AP10H-240	240	15.2	34.5	4" FLG	3230692999	759.1	\$23,304
AP10H-260	260	15.2	34.5	4" FLG	3230693999	815.1	\$24,800
AP10H-280	280	15.2	34.5	4" FLG	3230694999	871.1	\$26,296
AP10H-300	300	15.2	34.5	4" FLG	3230695999	927.1	\$27,795

* ORDER HEAT EXCHANGER BY CONTROL NUMBER

LIST PRICE SHEET
Double Wall
Brazed Plate Heat Exchangers

5x12 Double Wall Brazed Heat Exchangers

MODEL NUMBER	DESCRIPTION				CONTROL* NUMBER	WEIGHT LBS. (KG)	LIST
	# PLATES	WIDTH	LENGTH	MPT			
APDW4-8	8	4.9	13.1	1-1/4"	3230500999	6.48	\$464
APDW4-10	10	4.9	13.1	1-1/4"	3230501999	7.22	\$507
APDW4-14	14	4.9	13.1	1-1/4"	3230502999	8.7	\$588
APDW4-20	20	4.9	13.1	1-1/4"	3230503999	10.92	\$708
APDW4-24	24	4.9	13.1	1-1/4"	3230504999	12.4	\$819
APDW4-30	30	4.9	13.1	1-1/4"	3230505999	14.62	\$911
APDW4-40	40	4.9	13.1	1-1/4"	3230506999	18.32	\$1,114
APDW4-50	50	4.9	13.1	1-1/4"	3230507999	22.02	\$1,318
APDW4-60	60	4.9	13.1	1-1/4"	3230508999	25.72	\$1,516
APDW4-70	70	4.9	13.1	1-1/4"	3230509999	29.42	\$1,719
APDW4-80	80	4.9	13.1	1-1/4"	3230510999	33.12	\$1,922
APDW4-90	90	4.9	13.1	1-1/4"	3230511999	36.82	\$2,126
APDW4-100	100	4.9	13.1	1-1/4"	3230512999	40.52	\$2,326

* ORDER HEAT EXCHANGER BY CONTROL NUMBER

5x12 Double Wall Brazed Heat Exchangers - ASME Certified

MODEL NUMBER	DESCRIPTION				CONTROL* NUMBER	WEIGHT LBS. (KG)	LIST
	# PLATES	WIDTH	LENGTH	MPT			
APDW4-8	8	4.9	13.1	1-1/4"	3230700999	6.48	\$494
APDW4-10	10	4.9	13.1	1-1/4"	3230701999	7.22	\$537
APDW4-14	14	4.9	13.1	1-1/4"	3230702999	8.7	\$616
APDW4-20	20	4.9	13.1	1-1/4"	3230703999	10.92	\$736
APDW4-24	24	4.9	13.1	1-1/4"	3230704999	12.4	\$847
APDW4-30	30	4.9	13.1	1-1/4"	3230705999	14.62	\$939
APDW4-40	40	4.9	13.1	1-1/4"	3230706999	18.32	\$1,143
APDW4-50	50	4.9	13.1	1-1/4"	3230707999	22.02	\$1,346
APDW4-60	60	4.9	13.1	1-1/4"	3230708999	25.72	\$1,545
APDW4-70	70	4.9	13.1	1-1/4"	3230709999	29.42	\$1,748
APDW4-80	80	4.9	13.1	1-1/4"	3230710999	33.12	\$1,952
APDW4-90	90	4.9	13.1	1-1/4"	3230711999	36.82	\$2,154
APDW4-100	100	4.9	13.1	1-1/4"	3230712999	40.52	\$2,354

* ORDER HEAT EXCHANGER BY CONTROL NUMBER

LIST PRICE SHEET
Double Wall
Brazed Plate Heat Exchangers

5x20 Double Wall Brazed Heat Exchangers

MODEL NUMBER	DESCRIPTION				CONTROL* NUMBER	WEIGHT LBS. (KG)	LIST
	# PLATES	WIDTH	LENGTH	MPT			
APDW5-8	8	4.9	20.8	1-1/4"	3230515999	9.13	\$640
APDW5-10	10	4.9	20.8	1-1/4"	3230516999	10.31	\$704
APDW5-14	14	4.9	20.8	1-1/4"	3230517999	12.67	\$830
APDW5-20	20	4.9	20.8	1-1/4"	3230518999	16.21	\$1,018
APDW5-24	24	4.9	20.8	1-1/4"	3230519999	18.57	\$1,147
APDW5-30	30	4.9	20.8	1-1/4"	3230520999	22.11	\$1,335
APDW5-40	40	4.9	20.8	1-1/4"	3230521999	28.01	\$1,651
APDW5-50	50	4.9	20.8	1-1/4"	3230522999	33.91	\$1,964
APDW5-60	60	4.9	20.8	1-1/4"	3230523999	39.81	\$2,282
APDW5-70	70	4.9	20.8	1-1/4"	3230524999	45.71	\$2,596
APDW5-80	80	4.9	20.8	1-1/4"	3230525999	51.61	\$2,914
APDW5-90	90	4.9	20.8	1-1/4"	3230526999	57.51	\$3,225
APDW5-100	100	4.9	20.8	1-1/4"	3230527999	63.41	\$4,822

* ORDER HEAT EXCHANGER BY CONTROL NUMBER

5x20 Double Wall Brazed Heat Exchangers - ASME Certified

MODEL NUMBER	DESCRIPTION				CONTROL* NUMBER	WEIGHT LBS. (KG)	LIST
	# PLATES	WIDTH	LENGTH	MPT			
APDW5-8	8	4.9	20.8	1-1/4"	3230715999	9.13	\$698
APDW5-10	10	4.9	20.8	1-1/4"	3230716999	10.31	\$761
APDW5-14	14	4.9	20.8	1-1/4"	3230717999	12.67	\$888
APDW5-20	20	4.9	20.8	1-1/4"	3230718999	16.21	\$1,074
APDW5-24	24	4.9	20.8	1-1/4"	3230719999	18.57	\$1,204
APDW5-30	30	4.9	20.8	1-1/4"	3230720999	22.11	\$1,392
APDW5-40	40	4.9	20.8	1-1/4"	3230721999	28.01	\$1,709
APDW5-50	50	4.9	20.8	1-1/4"	3230722999	33.91	\$2,022
APDW5-60	60	4.9	20.8	1-1/4"	3230723999	39.81	\$2,340
APDW5-70	70	4.9	20.8	1-1/4"	3230724999	45.71	\$2,653
APDW5-80	80	4.9	20.8	1-1/4"	3230725999	51.61	\$2,970
APDW5-90	90	4.9	20.8	1-1/4"	3230726999	57.51	\$3,283
APDW5-100	100	4.9	20.8	1-1/4"	3230727999	63.41	\$4,880

* ORDER HEAT EXCHANGER BY CONTROL NUMBER

LIST PRICE SHEET
Double Wall
Brazed Plate Heat Exchangers

10x20 Double Wall Brazed Heat Exchangers

MODEL NUMBER	DESCRIPTION				CONTROL* NUMBER	WEIGHT LBS. (KG)	LIST
	# PLATES	WIDTH	LENGTH	MPT			
APDW10-6	6	9.8	20.3	1"	3230530999	43.1	\$601
APDW10-10	10	9.8	20.3	1"	3230531999	47.3	\$729
APDW10-14	14	9.8	20.3	1"	3230532999	51.5	\$916
APDW10-18	18	9.8	20.3	1"	3230533999	55.7	\$1,145
APDW10-22	22	9.8	20.3	1"	3230534999	59.9	\$1,400
APDW10-30	30	9.8	20.3	1-1/4"	3230535999	68.3	\$1,910
APDW10-42	42	9.8	20.3	1-1/4"	3230536999	80.9	\$2,707
APDW10-50	50	9.8	20.3	1-1/2"	3230537999	89.3	\$3,503
APDW10-62	62	9.8	20.3	1-1/2"	3230538999	101.9	\$5,046
APDW10-74	74	9.8	20.3	1-1/2"	3230539999	114.5	\$5,843
APDW10-94	94	9.8	20.3	2"	3230540999	135.5	\$7,382
APDW10-110	110	9.8	20.3	2"	3230541999	152.3	\$8,613
APDW10-134	134	9.8	20.3	2"	3230542999	177.5	\$9,997
APDW10-154	154	9.8	20.3	2"	3230543999	198.5	\$12,550
APDW10-198	198	9.8	20.3	2"	3230544999	244.7	\$15,742

* ORDER HEAT EXCHANGER BY CONTROL NUMBER

10x20 Double Wall Brazed Heat Exchangers - ASME Certified

MODEL NUMBER	DESCRIPTION				CONTROL* NUMBER	WEIGHT LBS. (KG)	LIST
	# PLATES	WIDTH	LENGTH	MPT			
APDW10-6	6	9.8	20.3	1"	3230730999	43.1	\$715
APDW10-10	10	9.8	20.3	1"	3230731999	47.3	\$842
APDW10-14	14	9.8	20.3	1"	3230732999	51.5	\$1,030
APDW10-18	18	9.8	20.3	1"	3230733999	55.7	\$1,259
APDW10-22	22	9.8	20.3	1"	3230734999	59.9	\$1,515
APDW10-30	30	9.8	20.3	1-1/4"	3230735999	68.3	\$2,023
APDW10-42	42	9.8	20.3	1-1/4"	3230736999	80.9	\$2,820
APDW10-50	50	9.8	20.3	1-1/2"	3230737999	89.3	\$3,617
APDW10-62	62	9.8	20.3	1-1/2"	3230738999	101.9	\$5,159
APDW10-74	74	9.8	20.3	1-1/2"	3230739999	114.5	\$5,956
APDW10-94	94	9.8	20.3	2"	3230740999	135.5	\$7,495
APDW10-110	110	9.8	20.3	2"	3230741999	152.3	\$8,728
APDW10-134	134	9.8	20.3	2"	3230742999	177.5	\$10,111
APDW10-154	154	9.8	20.3	2"	3230743999	198.5	\$12,665
APDW10-198	198	9.8	20.3	2"	3230744999	244.7	\$15,857

* ORDER HEAT EXCHANGER BY CONTROL NUMBER

LIST PRICE SHEET
Swimming/Steam
Brazed Plate Heat Exchangers

5x12 Swim/Steam Brazed Heat Exchangers

MODEL NUMBER	DESCRIPTION				CONTROL* NUMBER	WEIGHT LBS. (KG)	LIST
	# PLATES	WIDTH	LENGTH	MPT			
APSMO5X12-4	4	4.9	12.2	1"	3230550999	3.74	\$649
APSMO5X12-6	6	4.9	12.2	1"	3230551999	4.38	\$775
APSMO5X12-8	8	4.9	12.2	1"	3230552999	5.02	\$893
APSMO5X12-10	10	4.9	12.2	1"	3230553999	5.66	\$1,263
APSMO5X12-12	12	4.9	12.2	1"	3230554999	6.3	\$1,425
APSMO5X12-16	16	4.9	12.2	1"	3230555999	7.58	\$1,724
APSMO5X12-20	20	4.9	12.2	1"	3230556999	8.86	\$2,027
APSMO5X12-24	24	4.9	12.2	1-1/4"	3230557999	10.14	\$2,341
APSMO5X12-30	30	4.9	12.2	1-1/4"	3230558999	12.06	\$2,812
APSMO5X12-40	40	4.9	12.2	1-1/4"	3230559999	15.26	\$3,680
APSMO5X12-50	50	4.9	12.2	1-1/4"	3230560999	18.46	\$4,334
APSMO5X12-60	60	4.9	12.2	1-1/4"	3230561999	21.66	\$5,372
APSMO5X12-70	70	4.9	12.2	1-1/4"	3230562999	24.86	\$6,524
APSMO5X12-80	80	4.9	12.2	1-1/4"	3230563999	28.06	\$7,815
APSMO5X12-90	90	4.9	12.2	1-1/4"	3230564999	31.26	\$9,225
APSMO5X12-100	100	4.9	12.2	1-1/4"	3230565999	34.46	\$10,511
APSMO5X12-110	110	4.9	12.2	1-1/4"	3230566999	37.66	\$11,885
APSMO5X12-120	120	4.9	12.2	1-1/4"	3230567999	40.86	\$12,911

* ORDER HEAT EXCHANGER BY CONTROL NUMBER

5x12 Swim/Steam Brazed Heat Exchangers - ASME Certified

MODEL NUMBER	DESCRIPTION				CONTROL* NUMBER	WEIGHT LBS. (KG)	LIST
	# PLATES	WIDTH	LENGTH	MPT			
APSMO5X12-4	4	4.9	12.2	1"	3230750999	3.74	\$678
APSMO5X12-6	6	4.9	12.2	1"	3230751999	4.38	\$803
APSMO5X12-8	8	4.9	12.2	1"	3230752999	5.02	\$921
APSMO5X12-10	10	4.9	12.2	1"	3230753999	5.66	\$1,292
APSMO5X12-12	12	4.9	12.2	1"	3230754999	6.3	\$1,454
APSMO5X12-16	16	4.9	12.2	1"	3230755999	7.58	\$1,753
APSMO5X12-20	20	4.9	12.2	1"	3230756999	8.86	\$2,056
APSMO5X12-24	24	4.9	12.2	1-1/4"	3230757999	10.14	\$2,369
APSMO5X12-30	30	4.9	12.2	1-1/4"	3230758999	12.06	\$2,842
APSMO5X12-40	40	4.9	12.2	1-1/4"	3230759999	15.26	\$3,710
APSMO5X12-50	50	4.9	12.2	1-1/4"	3230760999	18.46	\$4,363
APSMO5X12-60	60	4.9	12.2	1-1/4"	3230761999	21.66	\$5,402
APSMO5X12-70	70	4.9	12.2	1-1/4"	3230762999	24.86	\$6,552
APSMO5X12-80	80	4.9	12.2	1-1/4"	3230763999	28.06	\$7,844
APSMO5X12-90	90	4.9	12.2	1-1/4"	3230764999	31.26	\$9,255
APSMO5X12-100	100	4.9	12.2	1-1/4"	3230765999	34.46	\$10,539
APSMO5X12-110	110	4.9	12.2	1-1/4"	3230766999	37.66	\$11,874
APSMO5X12-120	120	4.9	12.2	1-1/4"	3230767999	40.86	\$12,939

* ORDER HEAT EXCHANGER BY CONTROL NUMBER

LIST PRICE SHEET
Swimming/Steam
Brazed Plate Heat Exchangers

10x20 Swim/Steam Brazed Heat Exchangers

MODEL NUMBER	DESCRIPTION				CONTROL* NUMBER	WEIGHT LBS. (KG)	LIST
	# PLATES	WIDTH	LENGTH	MPT			
APSMO10X20L-20	20	9.8	20.3	1-1/2"	3230570999	43.8	\$6,403
APSMO10X20L-24	24	9.8	20.3	1-1/2"	3230571999	47.88	\$7,435
APSMO10X20L-30	30	9.8	20.3	2"	3230572999	54	\$8,971
APSMO10X20L-36	36	9.8	20.3	2"	3230573999	60.12	\$10,528
APSMO10X20L-40	40	9.8	20.3	2"	3230574999	64.2	\$11,637
APSMO10X20L-50	50	9.8	20.3	2-1/2"	3230575999	74.4	\$12,944
APSMO10X20L-60	60	9.8	20.3	2-1/2"	3230576999	84.6	\$15,536
APSMO10X20L-70	70	9.8	20.3	2-1/2"	3230577999	94.8	\$18,164
APSMO10X20L-80	80	9.8	20.3	2-1/2"	3230578999	105	\$20,818
APSMO10X20L-90	90	9.8	20.3	2-1/2"	3230579999	115.2	\$23,507
APSMO10X20L-100	100	9.8	20.3	2-1/2"	3230580999	125.4	\$26,227
APSMO10X20L-110	110	9.8	20.3	2-1/2"	3230581999	135.6	\$28,981
APSMO10X20L-120	120	9.8	20.3	2-1/2"	3230582999	145.8	\$31,772
APSMO10X20L-130	130	9.8	20.3	2-1/2"	3230583999	156	\$34,600
APSMO10X20L-140	140	9.8	20.3	2-1/2"	3230584999	166.2	\$37,472
APSMO10X20L-150	150	9.8	20.3	2-1/2"	3230585999	176.4	\$40,378
APSMO10X20L-160	160	9.8	20.3	2-1/2"	3230586999	186.6	\$43,329
APSMO10X20L-170	170	9.8	20.3	2-1/2"	3230587999	196.8	\$46,326
APSMO10X20L-180	180	9.8	20.3	2-1/2"	3230588999	207	\$49,367
APSMO10X20L-190	190	9.8	20.3	2-1/2"	3230589999	217.2	\$52,465
APSMO10X20L-200	200	9.8	20.3	2-1/2"	3230590999	227.4	\$55,607

* ORDER HEAT EXCHANGER BY CONTROL NUMBER

10x20 Swim/Steam Brazed Heat Exchangers - ASME Certified

MODEL NUMBER	DESCRIPTION				CONTROL* NUMBER	WEIGHT LBS. (KG)	LIST
	# PLATES	WIDTH	LENGTH	MPT			
APSMO10X20L-20	20	9.8	20.3	1-1/2"	3230770999	43.8	\$6,516
APSMO10X20L-24	24	9.8	20.3	1-1/2"	3230771999	47.88	\$7,549
APSMO10X20L-30	30	9.8	20.3	2"	3230772999	54	\$9,085
APSMO10X20L-36	36	9.8	20.3	2"	3230773999	60.12	\$10,643
APSMO10X20L-40	40	9.8	20.3	2"	3230774999	64.2	\$11,751
APSMO10X20L-50	50	9.8	20.3	2-1/2"	3230775999	74.4	\$13,058
APSMO10X20L-60	60	9.8	20.3	2-1/2"	3230776999	84.6	\$15,650
APSMO10X20L-70	70	9.8	20.3	2-1/2"	3230777999	94.8	\$18,278
APSMO10X20L-80	80	9.8	20.3	2-1/2"	3230778999	105	\$20,932
APSMO10X20L-90	90	9.8	20.3	2-1/2"	3230779999	115.2	\$23,621
APSMO10X20L-100	100	9.8	20.3	2-1/2"	3230780999	125.4	\$26,341
APSMO10X20L-110	110	9.8	20.3	2-1/2"	3230781999	135.6	\$29,096
APSMO10X20L-120	120	9.8	20.3	2-1/2"	3230782999	145.8	\$31,886
APSMO10X20L-130	130	9.8	20.3	2-1/2"	3230783999	156	\$34,714
APSMO10X20L-140	140	9.8	20.3	2-1/2"	3230784999	166.2	\$37,586
APSMO10X20L-150	150	9.8	20.3	2-1/2"	3230785999	176.4	\$40,492
APSMO10X20L-160	160	9.8	20.3	2-1/2"	3230786999	186.6	\$43,443
APSMO10X20L-170	170	9.8	20.3	2-1/2"	3230787999	196.8	\$46,440
APSMO10X20L-180	180	9.8	20.3	2-1/2"	3230788999	207	\$49,482
APSMO10X20L-190	190	9.8	20.3	2-1/2"	3230789999	217.2	\$52,579
APSMO10X20L-200	200	9.8	20.3	2-1/2"	3230790999	227.4	\$55,722

* ORDER HEAT EXCHANGER BY CONTROL NUMBER

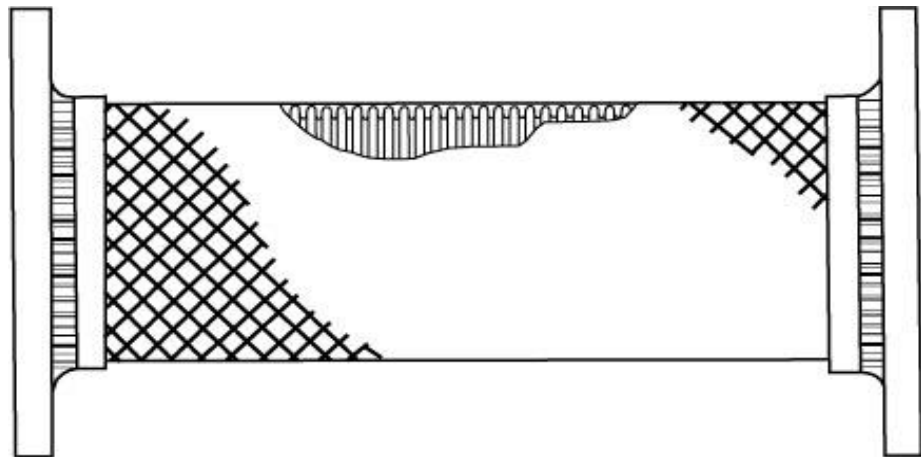
LIST PRICE SHEET
Brazed Plate Heat Exchangers

Accessories

MODEL NUMBER	DESCRIPTION	CONTROL* NUMBER	WEIGHT LBS.	LIST
BKT5X12	Mounting Bracket for APDW5x12	8201020999	1.2	\$67
BKT5x12-WALL	Wall Mounting Bracket for APDW5x12	8201021999	1	\$67
BKT5X20	Mounting Bracket for APDW5X20	8201022999	1.5	\$81
BKT10X20	Mounting Bracket for APDW10X20 up to 110 plates.	8201023999	4.9	\$178
FR10X20	Rugged Floor Mounting Frame for APDW10x20 models up to 200 plates.	8201024999	10.4	\$289
STR3/4	3/4" FPT Y Strainer	7960060999	4	\$181
STR1	1" FPT Y Strainer	7960061999	5	\$211
STR1-1/4	1-1/4" FPT Y Strainer	7960062999	5	\$363
STR1-1/2	1-1/2" FPT Y Strainer	7960063999	8	\$411
STR2	2" FPT Y Strainer	7960064999	10	\$670
STR2-1/2	2-1/2" FPT Y Strainer	7960065999	15	\$1,359
STR3	3" FPT Y Strainer	7960066999	20	\$1,482
STR4	4" FPT Y Strainer	7960067999	36	\$4,409
APDW-ZINC	APDW Zinc Anode	6002990999		\$73

LIST PRICES

FLEXIBLE CONNECTORS

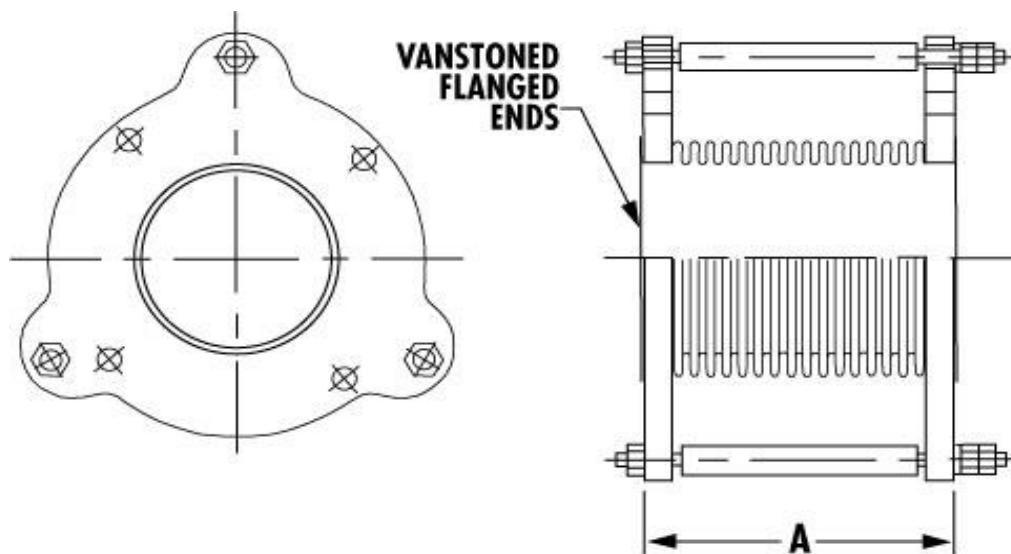


F.O.B. NO. AURORA, ILLINOIS 60542
PRICING SUBJECT TO CHANGE WITHOUT NOTICE.



AURORA® · FAIRBANKS NIJHUIS®

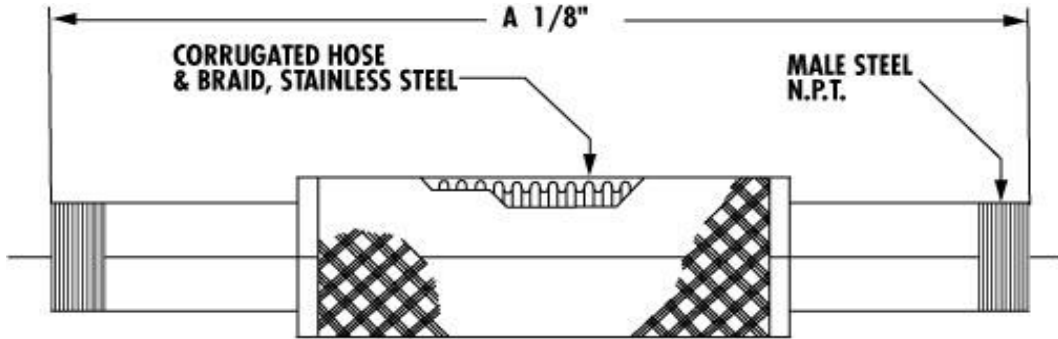
LIST PRICE SHEET MULTI-PLY BELLOWS CONNECTORS



MODEL 1090MPTR SERIES

MODEL NUMBER	SIZE IN. (MM)	CONTROL NUMBER	LIST PRICE	A IN. (MM)	WEIGHT LBS. (KG)
1090MPTR30200	2 (50)	240-0152-999	\$195	6 (152)	12 (5)
1090MPTR30250	2-1/2 (65)	240-0153-999	\$258	6 (152)	16 (7)
1090MPTR30300	3 (80)	240-0154-999	\$357	6 (152)	18 (8)
1090MPTR30400	4 (100)	240-0155-999	\$442	6 (152)	28 (13)
1090MPTR30500	5 (125)	240-0156-999	\$534	6 (152)	34 (15)
1090MPTR30600	6 (150)	240-0157-999	\$641	6 (152)	43 (20)
1090MPTR30800	8 (203)	240-0158-999	\$933	6 (152)	63 (29)
1090MPTR301000	10 (254)	240-0159-999	\$1,154	8 (203)	93 (42)
1090MPTR301200	12 (304)	240-0160-999	\$1,572	8 (203)	120 (54)
1090MPTR301400	14 (355)	240-0161-999	\$1,861	8 (203)	160 (73)

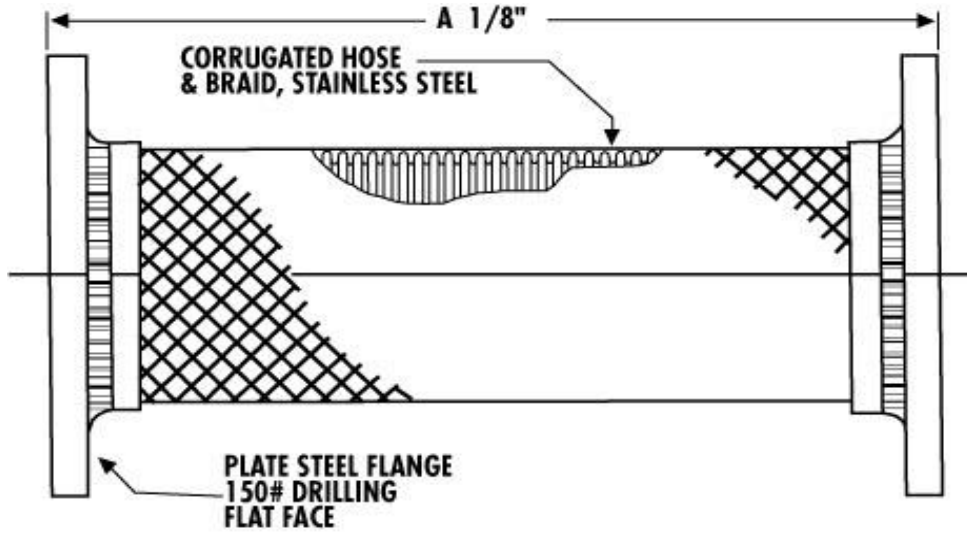
LIST PRICE SHEET FLEXIBLE CONNECTORS



MODEL 1090SST SERIES

MODEL NUMBER	SIZE IN. (MM)	CONTROL NUMBER	LIST PRICE	A IN. (MM)	WEIGHT LBS. (KG)
1090SST0050	1/2 X 10 (13 X 254)	240-0144-999	\$40	10 (254)	1 (1)
1090SST0075	3/4 X 10 (19 X 254)	240-0145-999	\$48	10 (254)	1 (1)
1090SST0100	1 X 10 (25 X 254)	240-0146-999	\$53	10 (254)	1 (1)
1090SST0125	1-1/4 X 10 (32 X 254)	240-0147-999	\$64	10 (254)	2 (1)
1090SST0150	1-1/2 X 12 (38 X 305)	240-0148-999	\$77	12 (305)	2 (1)
1090SST0200	2 X 14 (51 X 356)	240-0149-999	\$89	14 (356)	3 (1)
1090SST0250	2-1/2 X 16 (64 X 406)	240-0150-999	\$125	16 (406)	4 (2)
1090SST0300	3 X 16 (76 X 406)	240-0151-999	\$148	16 (406)	5 (2)

LIST PRICE SHEET FLEXIBLE CONNECTIONS



MODEL 1090MMCC SERIES

MODEL NUMBER	SIZE IN. (MM)	CONTROL NUMBER	LIST PRICE	A IN. (MM)	WEIGHT LBS. (KG)
1090MMCC0200	2 X 9 (51 X 299)	240-0134-999	\$89	9 (229)	9 (4)
1090MMCC0250	2-1/2 X 9 (64 X 299)	240-0135-999	\$110	9 (229)	9 (4)
1090MMCC0300	3 X 9 (76 X 299)	240-0136-999	\$125	9 (229)	9 (4)
1090MMCC0400	4 X 9 (102 X 229)	240-0137-999	\$175	9 (229)	9 (4)
1090MMCC0500	5 X 11 (127 X 279)	240-0138-999	\$266	11 (279)	9 (4)
1090MMCC0600	6 X 11 (152 X 279)	240-0139-999	\$321	11 (279)	9 (4)
1090MMCC0800	8 X 12 (203 X 305)	240-0140-999	\$500	12 (305)	9 (4)
1090MMCC1000	10 X 13 (254 X 330)	240-0141-999	\$713	13 (330)	9 (4)
1090MMCC1200	12 X 14 (305 X 357)	240-0142-999	\$1,053	14 (375)	9 (4)
1090MMCC1400	14 X 14 (357 X 357)	240-0143-999	\$1,372	14 (375)	9 (4)

LIST PRICES

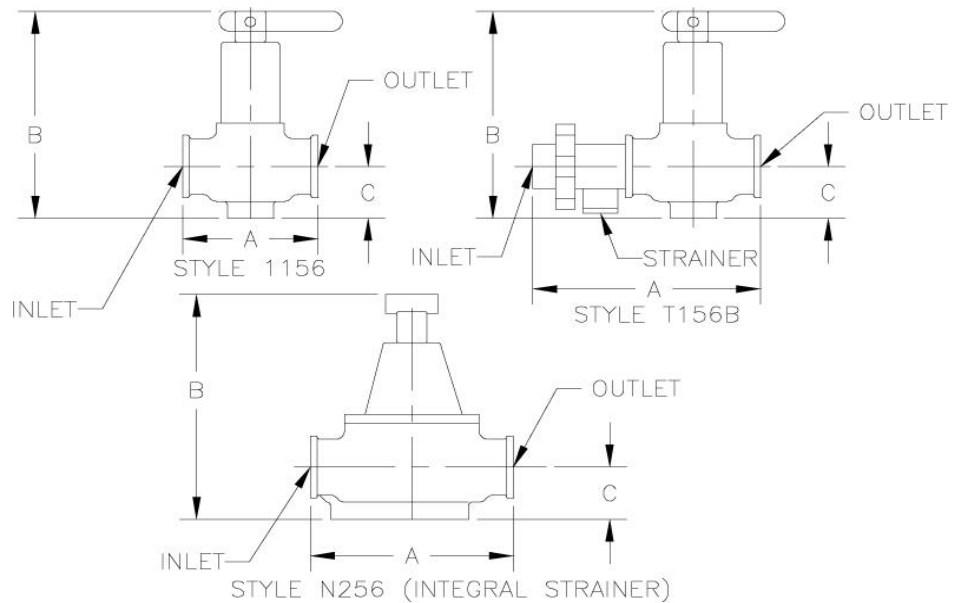
HYDRONIC ACCESSORIES

F.O.B. NO. AURORA, ILLINOIS 60542
PRICING SUBJECT TO CHANGE WITHOUT NOTICE.



AURORA® · FAIRBANKS NIJHUIS®

LIST PRICE SHEET WATTS PRESSURE REGULATOR

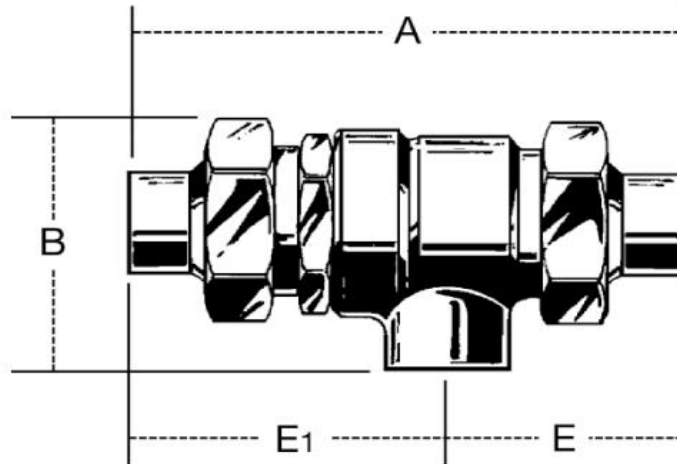


MODEL	SIZE	CONNECTION	CONTROL NUMBER	LIST PRICE	WT. LBS. (KG)
1156F	1/2" (15)	THREADED	896-4899-999	\$96	2.1 (1)
1156F-A	1/2" (15)	THREADED	896-4900-999	\$107	2.1 (1)
T1156F	1/2" (15)	THREADED UNION	896-4901-999	\$101	2.2 (1)
S1156F	1/2" (15)	UNION SOLDER	896-4902-999	\$101	2.3 (1)
B1156F	1/2" (15)	THREADED	896-4903-999	\$101	2.1 (1)
SB1156F	1/2" (15)	THREADED	896-4904-999	\$116	2.2 (1)
TB1156F	1/2" (15)	THREADED UNION	896-4905-999	\$116	2.3 (1)
T156B	1/2" (15)	THREADED UNION	896-4906-999	\$181	2.5 (1.1)
N256F*	3/4" (20)	THREADED	896-4907-999	\$177	3.5 (1.6)

NOTES:

1. Maximum working pressure 100psi (6.9 bars)
2. Maximum temperature 212° F (100° C)
3. Set at 15psi (103.4 kPa)
4. * N256F has an integral strainer
5. 1156F-A furnished with 1/2" female bottom connection for installation of expansion tank.
6. For additional information visit www.wattsreg.com

LIST PRICE SHEET WATTS BACKFLOW PREVENTER

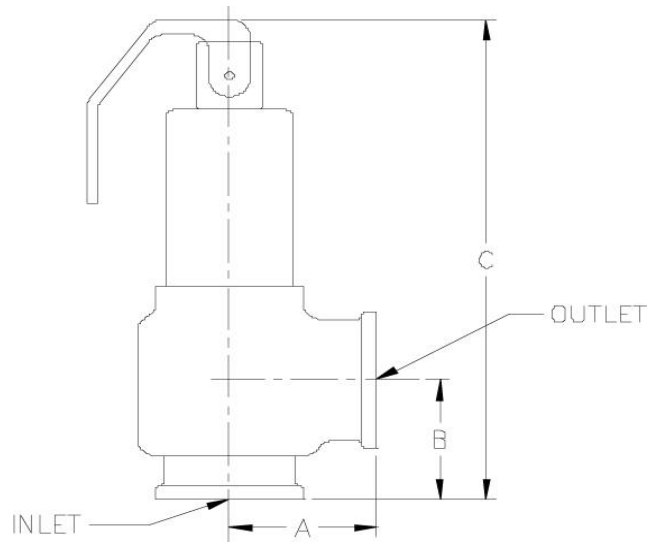


MODEL	SIZE	CONNECTION	CONTROL NUMBER	LIST PRICE	WT. LBS. (KG)
9D M3	1/2" (15)	NPT FEMALE UNION	896-4908-999	\$146	1.5 (.7)
9DS M3	1/2" (15)	UNION END SOLDER	896-4910-999	\$146	1.5 (.7)
9D M2	3/4" (20)	NPT FEMALE UNION	896-4911-999	\$148	1.75 (.8)
9DS M2	3/4" (20)	UNION END SOLDER	896-4912-999	\$148	1.75 (.8)

NOTES:

1. Brass with stainless steel working parts (For systems without antifreeze, rest inhibitors, or other chemicals).
2. Maximum pressure 175psi (12.06 bars).
3. Maximum temperature 180° F (82° C) sustained, 212° F (121 C) intermittent.
4. Meets ASSE Standard 1012 and CSA Standard b64.3
5. For additional information visit www.wattsreg.com

LIST PRICE SHEET WATTS ASME WATER PRESSURE RELIEF VALVE

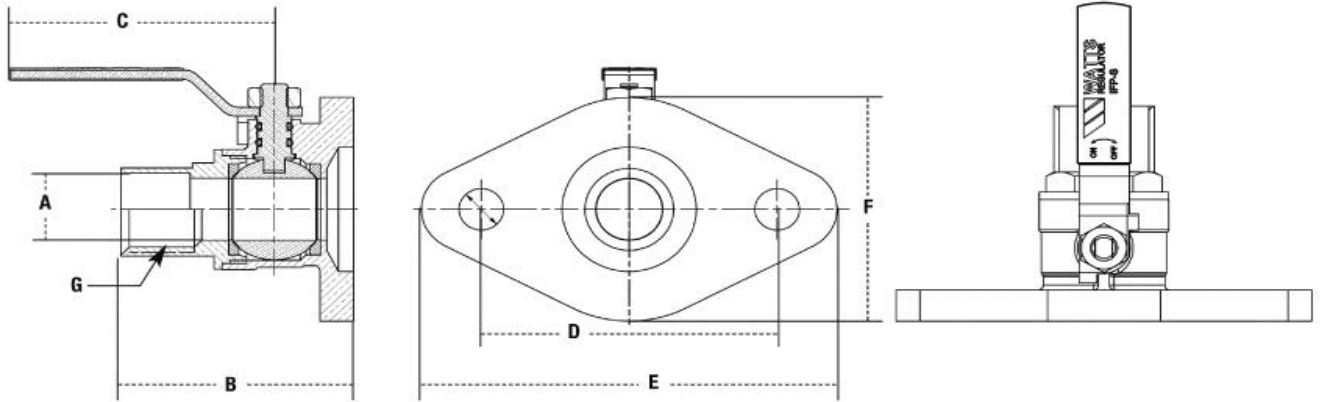


MODEL	SIZE	CONNECTION	CONTROL NUMBER				LIST PRICE	WEIGHT LBS (KG)
			30 PSI	100 PSI	125 PSI	150 PSI		
374A	3/4"	FEMALE (Inlet & Outlet)	896-4920-999	N/A	N/A	N/A	\$58	1 (.5)
174A	3/4"	FEMALE (Inlet & Outlet)	896-4921-999	896-4927-999	896-4933-999	896-4939-999	\$108	2 (.9)
174A	1"	FEMALE (Inlet & Outlet)	896-4922-999	896-4928-999	896-4934-999	896-4940-999	\$230	3 (1.4)
174A	1-1/4"	FEMALE (Inlet & Outlet)	896-4923-999	896-4929-999	896-4935-999	896-4941-999	\$350	6 (2.7)
174A	1-1/2"	FEMALE (Inlet & Outlet)	896-4924-999	896-4930-999	896-4936-999	896-4942-999	\$483	7 (3.2)
174A	2"	FEMALE (Inlet & Outlet)	895-4925-999	896-4931-999	896-4937-999	896-4943-999	\$698	14 (6.4)

NOTES:

1. 374A has iron body with forged bronze inlet, 30 psi max pressure, 550,000 BTU/Hr rating
2. Pressure range 30-150 psi (206.9kPa to 10kPa) with high ratings from 650,000 to 14,300 BTU.
3. For additional information visit www.wattsreg.com

LIST PRICE SHEET WATTS ISOLATED FLANGES FOR CIRCULATOR PUMPS

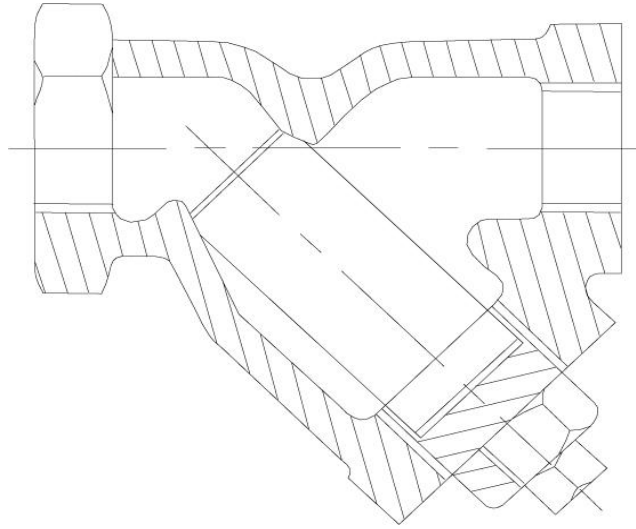


MODEL	SIZE	CONNECTION	CONTROL NUMBER	LIST PRICE	WT. LBS (KG)
IPF-T	1/2"	NPT THREADED END	896-4994-999	\$21	1.2 (.5)
IPF-T	3/4"	NPT THREADED END	896-4995-999	\$22	1.3 (.6)
IPF-T	1"	NPT THREADED END	896-4996-999	\$25	1.3 (.6)
IPF-T	1-1/4"	NPT THREADED END	896-4997-999	\$34	2.1 (1)
IPF-T	1-1/2"	NPT THREADED END	896-4998-999	\$42	2.5 (1.1)
IPF-T	2"	NPT THREADED END	896-4999-999	\$65	2.5 (1.1)
IPF-T	1/2"	SOLDER END	896-5000-999	\$21	1.1 (.5)
IPF-T	3/4"	SOLDER END	896-5001-999	\$22	1.3 (.6)
IPF-T	1"	SOLDER END	896-5002-999	\$25	1.6 (.7)
IPF-T	1-1/4"	SOLDER END	896-5003-999	\$34	2.1 (1)
IPF-T	1-1/2"	SOLDER END	896-5004-999	\$42	2.5 (1.1)

NOTES:

1. Brass body and Flange.
2. Pressure rated at 600 WOG
3. Virgin PTFE seats
4. Bottom loaded, blowout proof stem.
5. Dual Buna-N stem o-rings.
6. Vinyl insulator on steel handle steel.
7. Fast quarter turn open or close
8. For additional information visit www.wattsreg.com

LIST PRICE SHEET WATTS CAST IRON Y STRAINER



MODEL	SIZE	CONNECTION	CONTROL NUMBER	LIST PRICE	WT. LBS (KG)
77SI	1/4"	THREADED END	796-0040-655	\$20	1.5 (0.7)
77SI	3/8"	THREADED END	796-0041-655	\$20	1.5 (0.7)
77SI	1/2"	THREADED END	796-0042-655	\$24	1.5 (0.7)
77SI	3/4"	THREADED END	796-0043-655	\$27	2.5 (1.1)
77SI	1"	THREADED END	796-0044-655	\$34	3.0 (1.4)
77SI	1-1/4"	THREADED END	796-0045-655	\$52	5.5 (2.5)
77SI	1-1/2"	THREADED END	796-0046-655	\$58	8.0 (3.60)
77SI	2"	THREADED END	796-0047-655	\$89	13 (5.9)
77SI	2-1/2"	THREADED END	796-0048-655	\$175	22 (10.0)
77SI	3"	THREADED END	796-0049-655	\$209	30 (13.6)

NOTES:

1. Extra heavy duty body.
2. Furnished with 20 mesh stainless steel screen.
3. Straight treads and tapped for closure plug (closure plug not included)
4. Other screens available upon request.
5. Working pressure - non shock: 250WSP psi @ 406°F (208°C)
6. 400 WOG pressure @ 100°F (38°C)
7. For additional information visit www.wattsreg.com