

SECTION 320A PAGE 1  
DATED JANUARY 1, 2020  
SUPERSEDES PAGE 1  
DATED FEBRUARY 18, 2019

## **LIST PRICES**

**SINGLE STAGE  
END SUCTION PUMPS**

**MODEL 321  
HORIZONTAL CLOSE-COUPLED PUMPS**

**MODEL 323  
VERTICAL CLOSE-COUPLED PUMPS**

**MODEL 324A  
HORIZONTAL FLEX-COUPLED PUMPS**

F.O.B. NO. AURORA, ILLINOIS 60542  
PRICING SUBJECT TO CHANGE WITHOUT NOTICE.  
REFER TO ENCOMPASS FOR MOST ACCURATE PRICING AND SELECTION TABLES



**AURORA®**



**LIST PRICE SHEET**  
**320 SERIES**  
**PRICING INSTRUCTIONS**

**MODEL 321 PUMPS:**

To price a basic pump unit, which is comprised of the pump and motor, simply follow the steps in the example below. The example is for a model 321, bronze fitted, size 3/4 x 1 x 6A with a 1.5 HP, 3 phase, 3600 RPM, 230/460 volt, ODP Motor.

	<b>LIST PRICE</b>	<b>CONTROL / OPTION</b>
1. Select the required motor frame size from Table 1 for 1.5 HP, 3500 RPM, open drip proof motor		56CZ
2. Select the appropriate control number and list price for the "Pump Only" from Table 2. Size 3/4 x 1 x 6A - 321 BF.	<b>\$1,247</b>	X300001
3. Select the price and option number for any desired pump options from Table 9		
4. Refer to Section 1010 for price and part number required 1.5 HP, 3600 RPM, 3 phase, 230/460 volt. ODP enclosure type "GA" motor.	<b>\$445</b>	950-2491-940
5. Refer to Section 5000 for price and option number of any testing, engineering calculations or special coating systems which may be required.		

**MODEL 323 PUMPS:**

To price a basic pump unit, which is comprised of the pump and motor, simply follow the steps in the example below. The example is for a model 323, bronze fitted, size 1-1/4 X 1-1/2 X 7B with a 1 HP, 3 phase, 1750 RPM, 230/460 volt, ODP Motor.

	<b>LIST PRICE</b>	<b>CONTROL / OPTION</b>
1. Select the required motor frame size from Table 1 for 1HP, 1750 RPM, open drip proof motor		56CZ
2. Select the appropriate control number and list price for the "Pump Only" from Table 3. Size 1-1/4 x 1-1/2 x 7B - 323 BF.	<b>\$1,381</b>	X300169
3. Select the price and option number for any desired pump options from Table 9		
4. Refer to Section 1010 for price and part number required 1 HP, 1750 RPM, 3 phase, 230/460 volt. ODP enclosure type "GA" motor.	<b>\$419</b>	950-2091-940
5. Refer to Section 5000 for price and option number of any testing, engineering calculations or special coating systems which may be required.		

**LIST PRICE SHEET**  
**320 SERIES**  
**PRICING INSTRUCTIONS**

**MODEL 324A PUMPS:**

To price a basic pump unit, which is comprised of the pump, base, coupling, coupling guard and motor, simply follow the steps in the example below. The example is for a model 324A, bronze fitted, size 2 x 2-1/2 x 7, steel base, coupling, guard and a 3 HP, 3 phase, 1750 RPM, 230/460 volt, ODP motor.

	<b>LIST PRICE</b>	<b>CONTROL / OPTION</b>
1. Select the appropriate control number and list price for the "pump only" from table 4. Size 2 x 2-1/2 x 7, 324A BF.	<b>\$2,100</b>	X300265
2. Select the required motor frame size from table 6 for 3 HP, 1750 RPM, ODP.		182T
3. Based on the motor frame size, select the prices and option numbers for: coupling and steel base with guard (or steel drip rim base) from table 8.	<b>71</b> <b>446</b>	34A 14C
4. Select the price and option number for any desired pump options from table 9		
5. Refer to Section 1010 for price and part number required horizontal 3 HP, 1750 RPM, 3 phase, 230/460 volt, ODP motor.	<b>369</b>	922-3291-812
6. Refer to Section 5000 for price and option number of any testing, engineering calculations or special coating systems which may be required.		

<b>MATERIALS OF CONSTRUCTION</b>			
<b>PUMP PART</b>	<b>BRONZE FITTED</b>	<b>ALL IRON<sup>3</sup></b>	<b>ALL BRONZE</b>
Casing	Cast Iron ASTM A48	Cast Iron ASTM A48	Bronze ASTM B62
Casing Wearing Ring	Bronze ASTM B62	Cast Iron ASTM A48	Bronze ASTM B62
Impeller	Bronze ASTM B584	Cast Iron ASTM A48	Bronze ASTM B584
Motor Bracket	Cast Iron ASTM A48	Cast Iron ASTM A48	Cast Iron ASTM A48
* Shaft	Stainless Steel AISI 416	Stainless Steel AISI 416	Stainless Steel AISI 316 - 324 only
Power Frame 324A, 324S	Cast Iron ASTM A48	Cast Iron ASTM A48	Cast Iron ASTM A48
<b>Mechanical Seals</b>			
Washer	Carbon	Carbon	Carbon
Seat	Ceramic	Ceramic	Ceramic
Elastomer	Buna-N	Buna-N	Viton
Metal Parts	303 SS	303 SS	303 SS
Spring	303 SS	303 SS	303 SS

**NOTE:**

1. Model 323 not available in ALL BRONZE construction
  2. Packed pumps not available
  3. Use all iron construction to comply with the "Reduction of Lead in Drinking Water Act".
- \* Super "GA" motors for models 321 and 323 pumps have a 316SS shaft.  
 These motors are normally stocked by Aurora.

LIST PRICE SHEET  
**MODEL 322**  
**CLOSED COUPLED PUMP ONLY**

REPLACEMENT MODEL 322 PUMPS ONLY

As you are aware, the model 322 vertical close coupled pump with mounting base is no longer available. We can however, supply a vertical pump with seal flush and close coupled motor to fit existing model 322 floor mounting bases currently in the field as follows:

1. Order a comparable vertical model 323 pump and motor as described on page 3 of this section. Add option number 14AW with description, "**less suction base and tank gasket**".
2. When determining the price of the pump only, use the list price shown for the comparable 321 pump only.
3. Suction gasket and four mounting capscrews will be furnished.

LIST PRICE SHEET  
**MODEL 321**  
**MOTOR FRAME SELECTION**

**TABLE 1** CLOSE COUPLED "GA" & "SUPER GA" MOTOR  
 FRAME DESIGNATIONS

HORIZONTAL & VERTICAL  
 3 PHASE 60 HZ  
 230/460 VOLTS

HP RATING	3600 RPM			1800 RPM		
	ODP	TEFC	EXP	ODP	TEFC	EXP
NEMA	1/3	USE 3/4 HP	USE 1 HP	N/A	USE 3/4 HP	USE 1 HP
	1/2	USE 3/4 HP	USE 1 HP		USE 3/4 HP	USE 1 HP
	3/4	56CZ	USE 1 HP		56CZ	USE 1 HP
	1	USE 1-1/2 HP	56CZ		USE 1-1/2 HP	56CZ
	1-1/2	56CZ	-		56CZ	-
	2	145TCZ	145TCZ		145TCZ	-
	3	USE 5 HP	-		USE 5 HP	-
	5	184TCZ	184TCZ		184TCZ	-
	7-1/2	184TCZ	213TCZ		-	-

1 PHASE 60 HZ  
 115/230 VOLTS

HP RATING	3600 RPM			1800 RPM		
	ODP	TEFC	EXP	ODP	TEFC	EXP
1/3	N/A USE TEFC	USE 1/2 HP	-	N/A USE TEFC	USE 1/2 HP	-
1/2		56CZ	-		56CZ	-
3/4		USE 1-1/2 HP	-		USE 1 HP	-
1		USE 1-1/2 HP	-		56CZ	-
1-1/2		56CZ	-		145TCZ	-
2		145TCZ	-		USE 2 HP	-
3		184TCZ	-		184TCZ	-

HIGHLIGHTED CELLS INDICATE SUPER GA MOTOR

**NOTE: REFER TO SECTION 1010 FOR MOTOR SELECTION AND PRICING.**

**LIST PRICE SHEET**  
**MODEL 321 & 323**  
**CLOSE COUPLED PUMP ONLY**

**TABLE 2**

**HORIZONTAL MODEL 321 PUMPS (LESS MOTORS - SEE NOTE 1)**

PUMP SIZE	BRONZE FITTED (BF)		ALL BRONZE (AB)		ALL IRON (AI)		WT LBS.
	LIST PRICE	CONTROL NUMBER	LIST PRICE	CONTROL NUMBER	LIST PRICE	CONTROL NUMBER	
3/4 X 1 X 6A	<b>\$1,247</b>	X300001 ***	<b>\$3,033</b>	X300002 ***	N/A	N/A	13
3/4 X 1 X 7B	<b>1,345</b>	X300009 ***	<b>\$2,702</b>	X300010 ***	N/A	N/A	23
1 X 1-1/4 X 4	<b>951</b>	X300013	<b>\$1,803</b>	X300014	<b>\$1,752</b>	X300015	9
1 X 1-1/4 X 5	<b>1,030</b>	X300017	<b>\$2,001</b>	X300018	<b>1,812</b>	X300019	15
1 X 1-1/4 X 6	<b>1,121</b>	X300021 ***	<b>\$1,873</b>	X300022 ***	<b>1,834</b>	X300023 ***	17
1-1/4 X 1-1/2 X 5	<b>1,043</b>	X300025 ***	<b>\$1,755</b>	X300026 ***	<b>1,825</b>	X300027 ***	15
1-1/4 X 1-1/2 X 7B	<b>1,185</b>	X300033 **	<b>\$2,255</b>	X300034 **	<b>1,834</b>	X300035 **	25
1-1/2 X 2 X 4	<b>1,058</b>	X300041 ***	<b>\$2,126</b>	X300042 ***	N/A	N/A	12
2 X 2-1/2 X 4	<b>1,252</b>	X300049 ***	<b>\$1,836</b>	X300050 ***	<b>1,834</b>	X300051 ***	16
2 X 2-1/2 X 5	<b>1,348</b>	X300053 ***	<b>\$1,891</b>	X300054 ***	<b>1,887</b>	X300055 ***	19
2 X 2-1/2 X 6	<b>1,427</b>	X300057 ***	<b>\$2,057</b>	X300058 ***	<b>1,958</b>	X300059 ***	24

**TABLE 3**

**VERTICAL MODEL 323 PUMPS (LESS MOTORS - SEE NOTE 1)**

PUMP SIZE	BRONZE FITTED (BF)		ALL BRONZE (AB)		ALL IRON (AI)		WT LBS.
	LIST PRICE	CONTROL NUMBER	LIST PRICE	CONTROL NUMBER	LIST PRICE	CONTROL NUMBER	
3/4 X 1 X 6A	<b>\$1,446</b>	X300137	N/A	N/A	N/A	N/A	21
1 X 1-1/4 X 4	<b>1,144</b>	X300149	N/A	N/A	<b>\$1,947</b>	X300151	16
1 X 1-1/4 X 5	<b>1,228</b>	X300153	N/A	N/A	<b>2,011</b>	X300155	23
1 X 1-1/4 X 6	<b>1,321</b>	X300157	N/A	N/A	<b>2,032</b>	X300159	25
1-1/4 X 1-1/2 X 5	<b>1,213</b>	X300161	N/A	N/A	<b>2,027</b>	X300163	23
1-1/4 X 1-1/2 X 7B	<b>1,381</b>	X300169 **	N/A	N/A	<b>2,032</b>	X300171 **	38
1-1/2 X 2 X 4	<b>1,258</b>	X300177	N/A	N/A	N/A	N/A	24

**NOTE:**

**1. BARE CLOSE COUPLED "PUMPS ONLY" WILL NOT BE SUPPLIED. A MATCHING MOTOR SELECTED FROM SECTION 1010 MUST ALSO BE PURCHASED WITH EACH "PUMP." PRICING AND SELECTION ARE OUTLINED IN SECTION 1010.**

**\* PUMP AVAILABLE AT 3600 RPM ONLY**

**\*\* PUMP AVAILABLE AT 1800 RPM ONLY**

**\*\*\* PUMP AVAILABLE AT 1750 RPM ONLY**

**LIST PRICE SHEET  
 MODEL 324A  
 HORIZONTAL FLEX  
 COUPLED PUMP ONLY**

**TABLE 4**

**MODEL 324A PUMPS (LESS MOTORS)**

PUMP SIZE	BRONZE FITTED (BF)		ALL BRONZE (AB)		ALL IRON (AI)		WT LBS.
	LIST PRICE	CONTROL NUMBER	LIST PRICE	CONTROL NUMBER	LIST PRICE	CONTROL NUMBER	
3/4 X 1 X 6A	<b>\$2,040</b>	X300205	<b>\$4,112</b>	X300206	N/A	N/A	54
1 X 1-1/4 X 4	<b>1,715</b>	X300217	<b>3,221</b>	X300218	<b>\$2,457</b>	X300219	51
1 X 1-1/4 X 5	<b>1,794</b>	X300221	<b>3,395</b>	X300222	<b>2,466</b>	X300223	57
1 X 1-1/4 X 6	<b>1,836</b>	X300225	<b>3,610</b>	X300226	<b>2,473</b>	X300227	59
1-1/4 X 1-1/2 X 5	<b>1,832</b>	X300229	<b>3,431</b>	X300230	<b>2,137</b>	X300231	57
1-1/4 X 1-1/2 X 7B	<b>1,989</b>	X300237 **	<b>3,995</b>	X300238 **	<b>2,311</b>	X300239 **	67
1-1/2 X 2 X 4	<b>1,832</b>	X300245	<b>3,295</b>	X300246	N/A	N/A	54

**\* PUMP AVAILABLE AT 3600 RPM ONLY**

**\*\* PUMP AVAILABLE AT 1800 RPM ONLY**

**FOR MOTOR SELECTION AND PRICING, REFER TO SECTION 1010.**



**LIST PRICE SHEET**  
**MODEL 324A**  
**MOTOR FRAME SELECTION**

**TABLE 6**

**HORIZONTAL**  
**3 PHASE 230/460 VOLT**

HP RATING	3600 RPM			1800 RPM		
	ODP	TEFC	EXP. PROOF	ODP	TEFC	EXP. PROOF
1/3	56	56	56	56	56	56
1/2	56	56	56	56	56	56
3/4	56	56	56	56	56	56
1	56	56	56	143T	143T	143T
1-1/2	143T	143T	143T	145T	145T	145T
2	145T	145T	145T	145T	145T	145T
3	145T	182T	182T	182T	182T	182T
5	182T	184T	184T	184T	184T	184T
7-1/2	184T	213T	213T	213T	213T	213T

**1 PHASE 115/230 VOLT**

HP RATING	3600 RPM			1800 RPM		
	ODP	TEFC	EXP. PROOF	ODP	TEFC	EXP. PROOF
1/3	56	56	56	56	56	56
1/2	56	56	56	56	56	56
3/4	56	56	56	56	56	56
1	56	56	56	143T	143T	143T
1-1/2	143T	143T	143T	145T	145T	145T
2	145T	145T	145T	182T	182T	182T
3	182T	182T	182T	184T	184T	184T
5	184T	184T	184T	184T	184T	184T

**FOR MOTOR SELECTION AND PRICING, REFER TO SECTION 1010**

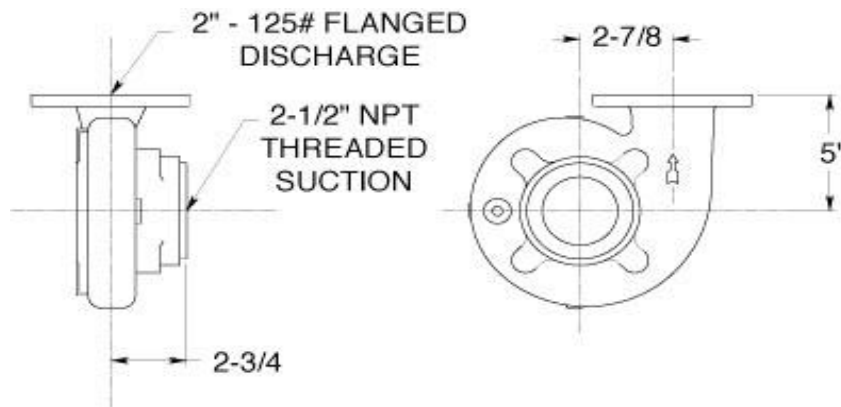
**LIST PRICE SHEET**  
**MODEL 321 & 324**  
**STAINLESS STEEL PUMPS**

**TABLE 7**

**316 STAINLESS STEEL PUMPS - LESS MOTORS**

PUMP SIZE	MODEL 321			MODEL 324A		
	LIST PRICE	CONTROL NUMBER	WT LBS.	LIST PRICE	CONTROL NUMBER	WT LBS.
1 x 1-1/4 x 5	<b>\$4,006</b>	X300020	16	<b>\$5,155</b>	X300224	59
1-1/4 x 1-1/2 x 5	<b>4,378</b>	X300028	16	<b>5,556</b>	X300232	59
2 x 2-1/2 x 5	<b>4,733</b>	X300056	20	<b>6,418</b>	X300260	63

**\* PUMP SAME AS 2 X 2-1/2 X 6 EXCEPT FOR SPECIAL CASING. USE STANDARD DIMENSION PRINTS FOR ALL DIMENSIONS EXCEPT FOR THOSE SHOWN ON THE CASING BELOW.**



**NOTES:**

- 1. PUMPS FITTED WITH CRANE TYPE 21 SEAL SPEC. XP1C1**
- 2. PUMPS CAN BE MADE OF 321 ST. STL. AND SUPER "GA" MOTORS WITH TEFC ENCLOSURE AND 316SS SHAFT. FOR MOTOR SELECTION AND PRICING REFER TO SECTION 1010.**

**LIST PRICE SHEET  
 MODEL 324A  
 HORIZONTAL FLEX  
 COUPLED PUMP ONLY**

**TABLE 8**

MOTOR FRAME SIZE	324A								
	COUPLING			STEEL BASE			STEEL DRIP RIM BASE		
	LIST PRICE	CONTROL NUMBER	WT LBS.	LIST PRICE	CONTROL NUMBER	WT LBS.	LIST PRICE	CONTROL NUMBER	WT LBS.
56	\$67	34STD	1	\$446	14C	34	\$973	14K	110
143T	67	34STD	1	446	14D	34	973	14L	110
145T	67	34STD	1	446	14E	34	987	14M	110
182T	91	34STD	3	487	14F	34	987	14N	110
184T	91	34STD	3	487	14G	34	987	14P	110
213T	163	34STD	3	554	14H	55	1,233	14R	110

**NOTE: COUPLING GUARD INCLUDED WITH BASE**

**TABLE 9**

OPTION NO.	DESCRIPTION VITON ELESTOMER CERAMIC SEAT	LIST PRICE	OPTION NO.		
1	764 MECHANICAL SEALS - BRONZE FITTED OR ALL IRON PUMPS (STANDARD ALL BRONZE PUMPS) CODE XP <sub>66</sub> 1O <sub>10</sub> 1 250° F	\$27	1A		
OPTION NO.	DESCRIPTION	LIST PRICE	OPTION NO.		
2	OIL LUB BEARING (324A PUMPS ONLY) SEALED BEARINGS (324A PUMPS ONLY)	\$241	2A		
		146	2H		
OPTION NO.	DESCRIPTION	LIST PRICE	OPTION NO.		
3	316SS SHAFT 324A (BF & AI) ALREADY STANDARD ON AB	\$321	3A		
OPTION NO.	DESCRIPTION	56 - 145T		182T - 184T	
		LIST PRICE	OPT. NO.	LIST PRICE	OPT. NO.
14	CAST IRON DRIP RIM BASE (321 PUMPS ONLY)	\$420	14A	\$420	14B
OPTION NO.	DESCRIPTION	LIST PRICE	OPTION NO.		
15	DRIP PAN (324A PUMPS ONLY)	\$484	15A		
OPTION NO.	DESCRIPTION	LIST PRICE	OPTION NO.		
45	CASING "O" RING (VITON)	\$97	45A		
OPTION NO.	DESCRIPTION	DISCHARGE POSITION	LIST PRICE	OPTION NO.	
86	ALTERNATE DISCHARGE POSITIONS (DISCHARGE POSITION # 1 IS STANDARD)	2	NO CHARGE	86A	
		3		86B	
		4		86C	

SECTION 320A PAGE 12  
DATED JANUARY 1, 2020  
SUPERSEDES PAGE 12  
DATED FEBRUARY 18, 2019

**THIS PAGE LEFT INTENTIONALLY BLANK**

SECTION 326 PAGE 1  
DATED JANUARY 1, 2020  
SUPERCEDES PAGE 1  
DATED FEBRUARY 18, 2019

## **LIST PRICES**

326A SERIES

Commercial In-line Mounted  
Centrifugal Pumps

F.O.B. NO. AURORA, ILLINOIS 60542  
PRICING SUBJECT TO CHANGE WITHOUT NOTICE



**AURORA®**

LIST PRICE SHEET  
**MODEL 326A**  
**PRICING INSTRUCTIONS**

(EXAMPLE ONLY - Pricing used in this example may not reflect current pricing.)



ORDER TRANSMITTAL

FOR FACTORY USE ONLY

800 AIRPORT ROAD • NORTH AURORA, ILLINOIS 60542

PAGE 1 OF 1

SOLD TO	AURORA SUPPLY COMPANY, INC.		CUSTOMER P.O. NO.	MARKET CODE ONE BOX MUST BE CHECKED	FACTORY ORDER NO. FOR FACTORY USE ONLY
	PO BOX 307		AS3056-DB		
	BUTLER, WISCONSIN	ZIP CODE 53007	DISCOUNT SCHEDULE CODE	<input type="checkbox"/> INDUSTRIAL	4 _____
			<input type="checkbox"/> A - WAREHOUSE	<input type="checkbox"/> OTHER	5 _____
			<input type="checkbox"/> B - FACTORY	<input type="checkbox"/> EXPORT	6 _____
SHIP TO	MUSKIE CAMP		<input checked="" type="checkbox"/> C - DIST. BILLING	<input type="checkbox"/> O.E.M.	7 _____
	RT 16		<input type="checkbox"/> D - STOCK	<input type="checkbox"/> MUNICIPAL	8 _____
	CLOVER LAKE, WISCONSIN		<input type="checkbox"/> E - SPECIAL	<input checked="" type="checkbox"/> COMMERCIAL	9 _____
	ZIP CODE 53336		<input type="checkbox"/> F - RESERVED		

MARKS	CIRC. PUMP	S.I.C.	APPLICATION	OWNER/END USER
DATE	1/4/06	HOLD FOR APPROVAL	YES <input type="checkbox"/> NO <input checked="" type="checkbox"/>	CERTPTS
SALES TAX?	YES <input type="checkbox"/> NO <input checked="" type="checkbox"/>	EXEMPT	CERT. NO.	ON FILE
SHIP VIA	BEST WAY	DATE REQUESTED	2/15/06	

QTY	CONTROL OPTION OR PART NUMBER	DESCRIPTION	LIST EACH	S.O. MULT.	NET COST	SELLING PRICE
1	Y301000	1-1/4X1-1/4X6 - 326A - (MODEL B) - BF PUMP	851.	.65	553.	

EXAMPLE ONLY

<b>MOTOR</b>	H.P.	1/3	PHASE	1	HERTZ	60	VOLTS	115/230	R.P.M.	1750	ENCLOSURE	ODP	FRAME	56CZ	<b>TOTAL \$</b>	553.
CLASS INSULATION	TYPE START	SERVICE FACTOR	MANUFACTURER	FACTORY CHOICE		AURORA TO FURNISH		YES <input checked="" type="checkbox"/> NO <input type="checkbox"/>		<b>SELL PRICE</b>		553.				
<b>PUMP</b>	CURVE NO.	CAPACITY		32	G.P.M.	16	FT.	SPEED	1750	R.P.M.	SUCTION PRESSURE	P.S.I.G.		<b>SALES OFF. COST</b>		553.
LIQUID	SOLIDS	SP. GR.	1.0		VISCOSITY	140°F		PUMPING TEM.	N.P.S.H. AVAIL. FT.		<b>SALES OFF. COMM.</b>				<b>SALES TAX</b> _____ %	
SPLIT COMMISSION:	S.O. CODE	NAME										<b>SALES OFFICE ORDER NO.</b>		AS3056-DB		
COMMISSION AGENT ONLY	S.O. CODE	NAME		AURORA SUPPLY COMPANY, INC.												

NOTES

**LIST PRICE SHEET**  
**MODEL 326A**  
**PRICING INSTRUCTIONS**

**MODEL 326A PUMPS:**

To price a basic pump unit, which is comprised of the pump and motor, simply follow the steps in the example below. The example is for a model 326A size 1-1/4 x 1-1/4 x 6 (model B), bronze fitted with a 1/3 HP, 1 phase, 1750 RPM 115/230 volt motor.

	<b>LIST PRICE</b>	<b>CONTROL / OPTION</b>
1. Select the appropriate control number and list price for the required complete pump and motor combination	<b>\$975</b>	Y301000
2. Select the price and option number of any desired options from Table 1 ( <b>Standard models have no options</b> )		

**MATERIAL OF CONSTRUCTION**

PUMP PART	BRONZE FITTED	ALL IRON <sup>1</sup>	ALL BRONZE
Casing	Cast Iron ASTM A48	Cast Iron ASTM A48	Bronze ASTM B62
Impeller	Bronze ASTM B584	Cast Iron ASTM A48	Bronze ASTM B584
Motor Bracket	Cast Iron ASTM A48	Cast Iron ASTM A48	Bronze ASTM B62
* Shaft	Stainless Steel AISI 316	Stainless Steel AISI 316	Stainless Steel AISI 316
Mechanical Seal	Ceramic w/"Buna-N"	Ceramic w/"Buna-N"	Ceramic w/Viton

1. Use all iron construction to comply with the "Reduction of Lead in Drinking Water Act".

\* Super "GA" motors are normally stocked by Aurora.

**LIST PRICE SHEET**  
**MODEL 326A**  
**STANDARD TRIM MODEL PRICING**

**Bronze fitted construction Pump and Motor**  
**60 Hertz, 1 Phase-115/230 Volts 1750 RPM TEFC motors**

PUMP SIZE	STD. HP.	MODEL	CONTROL NUMBER	LIST PRICE	WEIGHT (LBS)
1-1/4 x 1-1/4 x 6	1/3	B	Y301000	\$1,879	42
1-1/2 x 1-1/2 x 6	1/2	C	Y301001	2,048	53
2 x 2 x 6	3/4	D	Y301002	2,234	58
1-1/2 x 1-1/2 x 7	1/2	F	Y301023	2,247	55
1-1/2 x 1-1/2 x 7	3/4	G	Y301024	2,324	60

**All Bronze construction Pump and Motor**  
**60 Hertz, 1 Phase-115/230 Volts 1750 RPM TEFC motors**

PUMP SIZE	STD. HP.	MODEL	CONTROL NUMBER	LIST PRICE	WEIGHT (LBS)
1-1/4 x 1-1/4 x 6	1/3	B	Y301020	\$3,049	42
1-1/2 x 1-1/2 x 6	1/2	C	Y301021	3,455	53
2 x 2 x 6	3/4	D	Y301022	3,736	58

**Bronze fitted construction Pump and Motor**  
**60 Hertz, 60 Hertz, 3 Phase- 230/460 Volts 1750 RPM TEFC motors**

PUMP SIZE	STD. HP.	MODEL	CONTROL NUMBER	LIST PRICE	WEIGHT (LBS)
1-1/4 x 1-1/4 x 6	1/3	B	Y301010	\$1,818	47
1-1/2 x 1-1/2 x 6	1/2	C	Y301011	1,987	53
2 x 2 x 6	3/4	D	Y301012	2,096	53
1-1/2 x 1-1/2 x 7	1/2	F	Y301026	2,186	55
1-1/2 x 1-1/2 x 7	3/4	G	Y301027	2,186	57

**All Bronze construction Pump and Motor**  
**60 Hertz, 60 Hertz, 3 Phase- 230/460 Volts 1750 RPM TEFC motors**

PUMP SIZE	STD. HP.	MODEL	CONTROL NUMBER	LIST PRICE	WEIGHT (LBS)
1-1/4 x 1-1/4 x 6	1/3	B	Y301030	\$2,988	47
1-1/2 x 1-1/2 x 6	1/2	C	Y301031	3,394	53
2 x 2 x 6	3/4	D	Y301032	3,598	53

\* Companion flanges packed with the pump



**LIST PRICE SHEET**  
**MODEL 326A**  
**SPECIAL TRIM MODEL PRICING**

**BRONZE FITTED CONSTRUCTION PUMP and MOTOR, TEFC MOTORS, 1750 RPM**

60 HERTZ - 1 PHASE					60 HERTZ - 3 PHASE				
PUMP SIZE	HP	APPROX. SHIP WGT (LBS)	CONTROL NO. 115/230 VOLTS "GA" MOTORS	LIST PRICE	APPROX. SHIP WGT (LBS)	CONTROL NO. 230/460 VOLTS "GA" MOTORS	LIST PRICE	CONTROL NO. 200 VOLTS "GA" MOTORS	LIST PRICE
1-1/4 X 1-1/4 X 6	1/3	42	Y301051	<b>\$2,074</b>	47	Y301061	<b>\$2,015</b>	Y301071	<b>\$2,015</b>
	1/2	47	Y301081	<b>2,074</b>	47	Y301091	<b>2,015</b>	Y301101	<b>2,014</b>
1-1/2 X 1-1/2 X 6	1/3	48	Y301111	<b>2,239</b>	53	Y301121	<b>2,181</b>	Y301131	<b>2,181</b>
	1/2	53	Y301141	<b>2,239</b>	53	Y301151	<b>2,181</b>	Y301161	<b>2,181</b>
	3/4	58	Y301171	<b>2,316</b>	53	Y301181	<b>2,181</b>	Y301191	<b>2,181</b>
2 X 2 X 6	1/2	53	Y301201	<b>2,346</b>	53	Y301211	<b>2,285</b>	Y301221	<b>2,285</b>
	3/4	58	Y301231	<b>2,421</b>	53	Y301241	<b>2,285</b>	Y301251	<b>2,285</b>
1-1/2 X 1-1/2 X 7	1/3	50	Y301291	<b>2,435</b>	55	Y301301	<b>2,375</b>	Y301311	<b>2,375</b>
	1/2	55	Y301321	<b>2,435</b>	55	Y301331	<b>2,375</b>	Y301341	<b>2,376</b>
	3/4	60	Y301351	<b>2,511</b>	55	Y301361	<b>2,375</b>	Y301371	<b>2,376</b>

Selecting all bronze or all iron construction, select the control number for the appropriate pump and motor combination above. Change the last digit of the control number from 1 to 2 for all bronze, or 1 to 3 for all iron. For pricing add the list price below to the bronze fitted list price.

PUMP SIZE	ALL BRONZE LIST PRICE ADDER	ALL IRON LIST PRICE ADDER
1-1/4 x 1-1/4 x 6	<b>\$1,040</b>	<b>\$524</b>
1-1/2 x 1-1/2 x 6	<b>1,250</b>	<b>574</b>
2 x 2 x 6	<b>1,335</b>	<b>705</b>
1-1/2 x 1-1/2 x 7	<b>1,300</b>	<b>701</b>

OPTION NO.	LIST PRICE ADDER	DESCRIPTION-PRICE ADDITIONS SPECIAL OPTIONS
38A	<b>N/C</b>	Substitute 1-1/2" NPT tapped flanges for 1-1/4" NPT flanges on 1-1/4 x 1-1/4 x 6 pump
1A	<b>\$21</b>	764 Mechanical seals in bronze fitted or all iron pumps (std. on all bronze pumps) seal code XP <sub>66</sub> 1O <sub>10</sub> 1, viton elastomer with ceramic seat.
45B	<b>179</b>	Viton gaskets, pump and flange

\* Companion flanges packed with the pump

SECTION 326 PAGE 6  
DATED JANUARY 1, 2020  
SUPERCEDES PAGE 6  
DATED FEBRUARY 18, 2019

**THIS PAGE LEFT INTENTIONALLY BLANK**

SECTION 370A PAGE 1  
DATED JANUARY 1, 2020  
SUPERSEDES PAGE 1  
DATED FEBRUARY 18, 2019

## **LIST PRICES**

370 SERIES  
TWO STAGE  
CENTRIFUGAL PUMPS

**Removed from price pages February, 2020**

F.O.B. NO. AURORA, ILLINOIS 60542  
PRICING SUBJECT TO CHANGE WITHOUT NOTICE.



**AURORA®**

SECTION 370A PAGE 2  
DATED JANUARY 1, 2020  
SUPERSEDES PAGE 2  
DATED FEBRUARY 18, 2019

LIST PRICE SHEET  
**MODEL 374B**  
**ORDER TRANSMITTAL**

(**EXAMPLE ONLY** - Pricing used in this example may not reflect current pricing.)

**Removed from price pages February, 2020**

SECTION 370A PAGE 3  
DATED JANUARY 1, 2020  
SUPERSEDES PAGE 3  
DATED FEBRUARY 18, 2019

LIST PRICE SHEET  
**MODEL 374B**  
PRICING INSTRUCTIONS

**Removed from price pages February, 2020**

SECTION 370A PAGE 4  
DATED JANUARY 1, 2020  
SUPERSEDES PAGE 4  
DATED FEBRUARY 18, 2019

LIST PRICE SHEET  
**MODEL 374B**  
**HORIZONTAL FLEX COUPLED**  
PUMP ONLY

**Removed from price pages February, 2020**

SECTION 370A PAGE 5  
DATED JANUARY 1, 2020  
SUPERSEDES PAGE 5  
DATED FEBRUARY 18, 2019

LIST PRICE SHEET  
**MODEL 374B**  
**BASE, COUPLING**  
AND OPTIONAL FEATURES

**Removed from price pages February, 2020**

SECTION 370A PAGE 6  
DATED JANUARY 1, 2020  
SUPERSEDES PAGE 6  
DATED FEBRUARY 18, 2019

LIST PRICE SHEET  
**MODEL 374B**  
**BASE, COUPLING**  
AND OPTIONAL FEATURES

**Removed from price pages February, 2020**



SECTION 382B PAGE 1  
DATED JANUARY 1, 2020  
SUPERCEDES PAGE 1  
DATED FEBRUARY 18, 2019

## **LIST PRICES**

382B SERIES

VERTICAL IN-LINE  
PUMPS

F.O.B. NO. AURORA, ILLINOIS 60542  
PRICING SUBJECT TO CHANGE WITHOUT NOTICE  
REFER TO ENCOMPASS FOR MOST ACCURATE PRICING AND SELECTION TABLES



**AURORA®**



**LIST PRICE SHEET**  
**382B SERIES**  
**VERTICAL CLOSE COUPLED & SPLIT COUPLED**  
**PUMPS**  
**PRICING INSTRUCTIONS**

**MODEL 382B PUMPS:**

To price a basic pump unit, which is comprised of the pump and motor, simply follow the steps in the example below. The example is for a model 382B, size 4x4x7A, stainless steel fitted with a 7-1/2 HP, 3 phase, 1750 RPM, 230/460 volt, ODP Motor.

		<b>LIST PRICE</b>	<b>CONTROL / OPTION</b>
1	Select the required motor frame size from Table 1 for 7-1/2 HP, 1750 RPM, ODP motor.		213 JM
2	Select the appropriate control number and list price for the "Pump Only" from table 2. Size 4x4x7A, bronze fitted, for use with 213 JM motor.	<b>\$3,617</b>	X305315
3	Select the price and option number for any desired pump options from table 3.		
4	Refer to Section 1010 for price and part number of the required "JM" motor, vertical, 7-1/2 HP, 1750 RPM, 3 phase, 230/460 volt, ODP enclosure.	<b>\$1,080</b>	972-4091-993
5	Refer to Section 5000 for price and option number of any testing, engineering calculations or special coating systems which may be required.		
6	382A-SC use HP frame motors		

**MATERIAL OF CONSTRUCTION**

PUMP PART	BRONZE FITTED
Casing	Ductile Iron ASTM A536
Impeller	Stainless Steel ASTM A743 Type 316
Shaft	Stainless Steel ASTM A582 Type 416
Bushing	Carbon Graphite Matrix
Case Wearing Rings	Stainless Steel ASTM A582 Type 416
Bracket	Cast Iron ASTM A48
Mechanical Seal (STD)	
Washer	Carbon
Seat	Ceramic
Elastomer	Buna-N
Metal Parts	303 SST
Spring	303 SST

**NOTE: 1) THIS SEAL CONSTRUCTION RATED FOR HOT WATER 225° F MAX.**

**LIST PRICE SHEET**  
**382B SERIES**  
**VERTICAL APCO-LIGN**  
**CLOSE COUPLED PUMPS**

**TABLE 1**

**CLOSE COUPLED**  
**JM MOTOR FRAME DESIGNATIONS**

HP RATING	3600 RPM		1800 RPM		1200 RPM	
	ODP	TEFC	ODP	TEFC	ODP	TEFC
1	-	-	143JM	143JM	145JM	145JM
1-1/2	143JM	143JM	145JM	145JM	182JM	182JM
2	145JM	145JM	145JM	145JM	184JM	184JM
3	145JM	182JM	182JM	182JM	213JM	213JM
5	182JM	184JM	184JM	184JM	215JM	215JM
7-1/2	184JM	213JM	213JM	213JM	254JM	254JM
10	213JM	215JM	215JM	215JM	256JM	256JM
15	215JM	254JM	254JM	254JM	284JM	284JM
20	254JM	256JM	256JM	256JM	286JM	286JM
25	256JM	284JM	284JM	284JM	324JM	324JM
30	284JM	286JM	286JM	286JM	326JM	326JM
40	286JM	324JM	324JM	324JM	-	-
50	324JM	326JM	326JM	326JM	-	-
60	326JM	-	-	-	-	-

**FOR MOTOR SELECTION AND PRICING REFER TO SECTION 1010**

**LIST PRICE SHEET**  
**MODEL 382B-CC**  
 JM/JP Motors

**MODEL 382B-CC PUMPS (LESS MOTORS - SEE NOTE)**

PUMP SIZE	MOTOR FRAME SIZE	STAINLESS FITTED (SSF)		WT (LBS)
		LIST PRICE	CONTROL NUMBER	
1.5x1.5x7	143-145JM	<b>\$2,033</b>	X305261	95
	182-184JM	<b>2,033</b>	X305263	95
	213-215JM	<b>2,042</b>	X305265	95
2x2x7A	143-145JM	<b>2,628</b>	X305269	105
	182-184JM	<b>2,628</b>	X305271	105
	213-215JM	<b>2,637</b>	X305273	105
	254-256JM	<b>2,949</b>	X305275	110
2.5x2.5x7A	143-145JM	<b>3,016</b>	X305283	120
	182-184JM	<b>3,116</b>	X305285	120
	213-215JM	<b>3,225</b>	X305287	120
	254-256JM	<b>3,318</b>	X305289	125
3x3x7	143-145JM	<b>3,446</b>	X305297	135
	182-184JM	<b>3,446</b>	X305299	135
	213-215JM	<b>3,455</b>	X305301	135
	254-256JM	<b>3,536</b>	X305303	140
	284-286JM	<b>3,613</b>	X305305	140
4x4x7A	143-145JM	<b>3,609</b>	X305311	160
	182-184JM	<b>3,609</b>	X305313	160
	213-215JM	<b>3,617</b>	X305315	160
	254-256JM	<b>3,656</b>	X305317	165
	284-286JM	<b>3,733</b>	X305319	170
	324-326JM	<b>3,733</b>	X305321	170
5x5x7A	143-145JM	<b>4,148</b>	X305325	210
	182-184JM	<b>4,148</b>	X305327	210
	213-215JM	<b>4,152</b>	X305329	210
	254-256JM	<b>4,204</b>	X305331	210
	284-286JM	<b>4,281</b>	X305333	215
	324-326JM	<b>4,281</b>	X305335	215
	364-365JP	<b>4,572</b>	X305337	225

**NOTES:**

**1) REFER TO SECTION 1010 FOR MOTOR PRICING.**

**LIST PRICE SHEET**  
**MODEL 382B-CC**  
 JM/JP Motors

**MODEL 382B-CC PUMPS (LESS MOTORS - SEE NOTE)**

PUMP SIZE	MOTOR FRAME SIZE	STAINLESS FITTED (SSF)		WT (LBS)
		LIST PRICE	CONTROL NUMBER	
6x6x7A	143-145JM	<b>\$5,253</b>	X305341	290
	182-184JM	<b>5,253</b>	X305343	290
	213-215JM	<b>5,261</b>	X305345	290
	254-256JM	<b>5,342</b>	X305347	295
	284-286JM	<b>5,420</b>	X305349	295
	324-326JM	<b>5,420</b>	X305351	295
	364-365JP	<b>5,715</b>	X305353	305
1.5x1.5x9.5	143-145JM	<b>3,100</b>	X305651	120
	182-184JM	<b>3,300</b>	X305653	120
	213-215JM	<b>3,320</b>	X305655	125
	254-256JM	<b>3,348</b>	X305657	130
	284-286JM	<b>3,420</b>	X305659	130
2.5x2.5x9.5	182-184JM	<b>3,636</b>	X305665	155
	213-215JM	<b>3,740</b>	X305667	160
	254-256JM	<b>3,831</b>	X305669	165
	284-286JM	<b>3,904</b>	X305671	165
	324-326JM	<b>3,904</b>	X305673	165
	364-365JP	<b>4,559</b>	X305675	175
3x3x9.5	143-145JM	<b>3,476</b>	X305681	165
	182-184JM	<b>3,476</b>	X305683	165
	213-215JM	<b>3,480</b>	X305685	165
	254-256JM	<b>3,489</b>	X305687	170
	284-286JM	<b>3,562</b>	X305689	175
	324-326JM	<b>3,562</b>	X305691	175
	364-365JP	<b>4,058</b>	X305693	180
	404-405JP	<b>4,058</b>	X305695	180

**NOTES:**

**1) REFER TO SECTION 1010 FOR MOTOR PRICING.**

**LIST PRICE SHEET**  
**MODEL 382B-CC**  
 JM/JP Motors

**MODEL 382B-CC PUMPS (LESS MOTORS - SEE NOTE)**

PUMP SIZE	MOTOR FRAME SIZE	STAINLESS FITTED (SSF)		WT (LBS)
		LIST PRICE	CONTROL NUMBER	
4x4x9.5	143-145JM	<b>\$3,664</b>	X305699	195
	182-184JM	<b>3,664</b>	X305701	195
	213-215JM	<b>3,669</b>	X305703	195
	254-256JM	<b>3,677</b>	X305705	200
	284-286JM	<b>3,750</b>	X305707	205
	324-326JM	<b>3,750</b>	X305709	205
	364-365JP	<b>4,264</b>	X305711	215
	404-405JP	<b>4,264</b>	X305713	215
5x5x9.5	143-145JM	<b>4,255</b>	X305717	275
	182-184JM	<b>4,255</b>	X305719	275
	213-215JM	<b>4,257</b>	X305721	275
	254-256JM	<b>4,259</b>	X305723	280
	284-286JM	<b>4,332</b>	X305725	285
	324-326JM	<b>4,332</b>	X305727	285
	364-365JP	<b>4,812</b>	X305729	295
	404-405JP	<b>4,812</b>	X305731	295
6x6x9.5A	182-184JM	<b>4,400</b>	X305737	340
	213-215JM	<b>4,400</b>	X305739	340
	254-256JM	<b>4,585</b>	X305741	345
	284-286JM	<b>4,662</b>	X305743	350
8x8x9.5A*	254-256JM	<b>4,576</b>	see note below	395
	284-286JM	<b>4,649</b>	see note below	400
	324-326JM	<b>4,649</b>	see note below	400

\* Temporarily unavailable until further notice

**NOTES:**

**1) REFER TO SECTION 1010 FOR MOTOR PRICING.**

**LIST PRICE SHEET**  
**MODEL 382B-CC**  
 JM/JP Motors

**MODEL 382B-CC PUMPS (LESS MOTORS - SEE NOTE)**

PUMP SIZE	MOTOR FRAME SIZE	STAINLESS FITTED (SSF)		WT (LBS)
		LIST PRICE	CONTROL NUMBER	
2X2X11	143-145JM	\$3,328	X305801	180
	182-184JM	3,328	X305803	180
	213-215JM	3,337	X305805	180
	254-256JM	3,191	X305807	180
	284-286JM	3,273	X305809	180
	324-326JM	3,273	X305811	180
3X3X11A	143-145JM	3,802	X305813	185
	182-184JM	3,802	X305815	185
	213-215JM	3,811	X305817	185
	254-256JM	3,751	X305819	185
	284-286JM	3,830	X305821	185
	324-326JM	3,830	X305823	185
	364-365JP	4,295	X305825	195
404-405JP	4,295	X305827	195	
4X4X11	182-184JM	3,760	X305831	230
	213-215JM	3,767	X305833	230
	254-256JM	3,802	X305835	230
	284-286JM	3,864	X305837	235
	324-326JM	3,864	X305839	235
	364-365JP	4,328	X305841	245
	404-405JP	4,328	X305843	245
5X5X11A	143-145JM	4,335	X305845	270
	182-184JM	4,335	X305847	270
	213-215JM	4,343	X305849	270
	254-256JM	4,450	X305851	270
	284-286JM	4,544	X305853	275
	324-326JM	4,544	X305855	275
	364-365JP	5,102	X305857	285
	404-405JP	5,102	X305859	285

**NOTES:**

1) REFER TO SECTION 1010 FOR MOTOR PRICING.



## LIST PRICE SHEET

### MODEL 382B-CC

#### JM/JP Motors

#### MODEL 382B-CC PUMPS (LESS MOTORS - SEE NOTE)

PUMP SIZE	MOTOR FRAME SIZE	STAINLESS FITTED (SSF)		WT (LBS)
		LIST PRICE	CONTROL NUMBER	
6X6X11	143-145JM	<b>\$5,214</b>	X305861	330
	182-184JM	<b>5,214</b>	X305863	330
	213-215JM	<b>5,218</b>	X305865	330
	254-256JM	<b>5,248</b>	X305867	330
	284-286JM	<b>5,321</b>	X305869	335
	324-326JM	<b>5,321</b>	X305871	335
8X8X11A	213-215JM	<b>5,201</b>	X305881	450
	254-256JM	<b>5,231</b>	X305883	450
	284-286JM	<b>6,180</b>	X305885	455
	324-326JM	<b>6,180</b>	X305887	455
	364-365JP	<b>6,642</b>	X305889	465
3X3X13.5	143-145JM	<b>5,056</b>	X305761	285
	182-184JM	<b>5,056</b>	X305763	285
	213-215JM	<b>5,068</b>	X305765	285
	254-256JM	<b>5,098</b>	X305767	280
	284-286JM	<b>5,171</b>	X305769	285
	324-326JM	<b>5,171</b>	X305771	285
4X4X13.5	254-256JM	<b>5,283</b>	X305773	290
	284-286JM	<b>5,355</b>	X305775	295
	324-326JM	<b>5,355</b>	X305777	295
5X5X13.5	254-256JM	<b>5,240</b>	X305779	345
	284-286JM	<b>5,313</b>	X305781	345
	324-326JM	<b>5,313</b>	X305783	350
6X6X13.5	254-256JM	<b>6,777</b>	X305785	470
	284-286JM	<b>6,777</b>	X305787	475
	324-326JM	<b>6,777</b>	X305789	475
	364-365JP	<b>7,432</b>	X305791	500

**NOTES:**

**1) REFER TO SECTION 1010 FOR MOTOR PRICING.**

**LIST PRICE SHEET**  
**MODEL 382B-CC**  
 JM/JP Motors

**MODEL 382B-CC PUMPS (LESS MOTORS - SEE NOTE)**

PUMP SIZE	MOTOR FRAME SIZE	STAINLESS FITTED (SSF)		WT (LBS)
		LIST PRICE	CONTROL NUMBER	
8X8X13.5A	254-256JP	<b>\$9,007</b>	X305896	570
	284-286JP	<b>9,105</b>	X305898	570
	324-326JP	<b>9,105</b>	X305900	570
	364-365JP	<b>9,542</b>	X305902	570
	404-405JP	<b>9,542</b>	X305904	570
10X10X13.5A	254-256JP	<b>10,950</b>	X305906	710
	284-286JP	<b>11,049</b>	X305908	715
	324-326JP	<b>11,049</b>	X305910	715
	364-365JP	<b>11,490</b>	X305912	715
	404-405JP	<b>11,490</b>	X305914	715

**NOTES:**

**1) REFER TO SECTION 1010 FOR MOTOR PRICING.**

**LIST PRICE SHEET**  
**MODEL 382B-SC**

**N  
E  
M  
A**

**MOTOR FRAME DESIGNATION FOR  
 POLYPHASE, SQUIRREL CAGE  
 DESIGN B. VERTICAL MOTORS,  
 60 HZ, CLASS B INSULATION  
 SYSTEM OPEN TYPE 1.15 S.F.  
 AND TOTALLY ENCLOSED  
 FAN COOLED TYPE 1.0 S.F.**

HP RATING	3600 R.P.M.		1800 R.P.M.		1200 R.P.M.	
	OPEN	TEFC	OPEN	TEFC	OPEN	TEFC
1			143HP	143HP	145HP	145HP
1-1/2	143HP	143HP	145HP	145HP	182HP	182HP
2	145HP	145HP	145HP	145HP	184HP	184HP
3	145HP	182HP	182HP	182HP	213HP	213HP
5	182HP	184HP	184HP	184HP	215HP	215HP
7-1/2	184HP	213HP	213HP	213HP	254HP	254HP
10	213HP	215HP	215HP	215HP	256HP	256HP
15	215HP	254HP	254HP	254HP	284HPH	284HPH
20	254HP	256HP	256HP	256HP	286HPH	286HPH
25	256HP	284HPH	284HPH	284HPH	324HP	324HP
30	284HPH	286HPH	286HPH	286HPH	326HP	326HP
40	286HPH	324HP	324HP	324HP	364HP	364HP
50	324HP	326HP	326HP	326HP	365HP	365HP
60	326HP	364HP	364HP	364HP	404HP	404HP
75	364HP	365HP	365HP	365HP	405HP	405HP
100	365HP	404HP	405HP	405HP	444HP	444HP
125	404HP	405HP	444HP	444HP	445HP	445HP
150	405HP		444HP			
200	444HP					
250						

**NOTE: 1) THIS SEAL CONSTRUCTION RATED FOR HOT WATER 225° F MAX.**

# LIST PRICE SHEET

MODEL 382B-SC

TC Motors

## MODEL 382B-SC PUMPS (LESS MOTORS - SEE NOTE)

PUMP SIZE	MOTOR FRAME SIZE	STAINLESS FITTED (SSF)		WT (LBS)
		LIST PRICE	CONTROL NUMBER	
1.5x1.5x7	143-145TC	<b>\$5,250</b>	X306501	125
	182-184TC	<b>5,372</b>	X306503	125
	213-215TC	<b>5,382</b>	X306505	125
2x2x7A	143-145TC	<b>5,699</b>	X306511	135
	182-184TC	<b>5,854</b>	X306513	135
	213-215TC	<b>5,861</b>	X306515	135
	254-256TC	<b>6,010</b>	X306517	175
2.5x2.5x7A	143-145TC	<b>6,338</b>	X306525	150
	182-184TC	<b>6,493</b>	X306527	150
	213-215TC	<b>6,500</b>	X306529	150
	254-256TC	<b>6,713</b>	X306531	190
3x3x7	143-145TC	<b>6,190</b>	X306539	165
	182-184TC	<b>6,214</b>	X306541	165
	213-215TC	<b>6,321</b>	X306543	165
	254-256TC	<b>6,486</b>	X306545	205
	284-286TC	<b>6,503</b>	X306547	205
4x4x7A	143-145TC	<b>6,630</b>	X306553	195
	182-184TC	<b>6,649</b>	X306555	195
	213-215TC	<b>6,756</b>	X306557	195
	254-256TC	<b>6,877</b>	X306559	235
	284-286TC	<b>6,904</b>	X306561	235
	324-326TC	<b>7,521</b>	X306563	235
5x5x7A	143-145TC	<b>6,990</b>	X306567	240
	182-184TC	<b>7,000</b>	X306569	240
	213-215TC	<b>7,010</b>	X306571	240
	254-256TC	<b>7,021</b>	X306573	280
	284-286TC	<b>7,035</b>	X306575	280
	324-326TC	<b>7,955</b>	X306577	280
	364-365TC	<b>8,000</b>	X306579	290

**NOTES:**

**1) REFER TO SECTION 1010 FOR MOTOR PRICING.**

# LIST PRICE SHEET

MODEL 382B-SC

TC Motors

## MODEL 382B-SC PUMPS (LESS MOTORS - SEE NOTE)

PUMP SIZE	MOTOR FRAME SIZE	STAINLESS FITTED (SSF)		WT (LBS)
		LIST PRICE	CONTROL NUMBER	
6x6x7A	143-145TC	\$7,850	X306583	320
	182-184TC	7,850	X306585	320
	213-215TC	7,900	X306587	320
	254-256TC	7,944	X306589	360
	284-286TC	7,962	X306591	360
	324-326TC	8,800	X306593	360
	364-365TC	8,851	X306595	370
1.5x1.5x9.5	143-145TC	6,265	X306601	160
	182-184TC	6,324	X306603	160
	213-215TC	6,331	X306605	160
	254-256TC	6,358	X306607	185
	284-286TC	6,375	X306609	185
2.5x2.5x9.5	182-184TC	6,519	X306615	195
	213-215TC	6,519	X306617	195
	254-256TC	6,750	X306619	220
	284-286TC	6,767	X306621	220
	324-326TC	7,688	X306623	220
	364-365TC	7,882	X306625	280
3x3x9.5	143-145TC	6,200	X306631	195
	182-184TC	6,221	X306633	195
	213-215TC	6,328	X306635	195
	254-256TC	6,472	X306637	225
	284-286TC	6,490	X306639	225
	324-326TC	7,410	X306641	225
	364-365TC	7,800	X306643	285
	404-405TC	8,120	X306645	285

**NOTES:**

1) REFER TO SECTION 1010 FOR MOTOR PRICING.

# LIST PRICE SHEET

MODEL 382B-SC

TC Motors

## MODEL 382B-SC PUMPS (LESS MOTORS - SEE NOTE)

PUMP SIZE	MOTOR FRAME SIZE	STAINLESS FITTED (SSF)		WT (LBS)
		LIST PRICE	CONTROL NUMBER	
4x4x9.5	143-145TC	\$6,650	X306649	230
	182-184TC	6,690	X306651	230
	213-215TC	6,720	X306653	230
	254-256TC	6,865	X306655	260
	284-286TC	6,878	X306657	260
	324-326TC	7,802	X306659	260
	364-365TC	7,900	X306661	320
	404-405TC	8,000	X306663	320
	444-445TC	9,097	X306665	320
5x5x9.5	143-145TC	7,200	X306667	310
	182-184TC	7,250	X306669	310
	213-215TC	7,300	X306671	310
	254-256TC	7,420	X306673	340
	284-286TC	7,438	X306675	340
	324-326TC	8,358	X306677	340
	364-365TC	8,800	X306679	400
	404-405TC	9,000	X306681	400
	444-445TC	9,625	X306683	400
6x6x9.5A	182-184TC	7,743	X306687	370
	213-215TC	7,800	X306689	370
	254-256TC	8,000	X306691	400
	284-286TC	8,500	X306693	400
8x8x9.5A*	254-256TC	8,153	see note below	460
	284-286TC	8,170	see note below	460
	324-326TC	9,094	see note below	460

\* Temporarily unavailable until further notice

**NOTES:**

**1) REFER TO SECTION 1010 FOR MOTOR PRICING.**

# LIST PRICE SHEET

MODEL 382B-SC

TC Motors

## MODEL 382B-SC PUMPS (LESS MOTORS - SEE NOTE)

PUMP SIZE	MOTOR FRAME SIZE	STAINLESS FITTED (SSF)		WT (LBS)
		LIST PRICE	CONTROL NUMBER	
2x2x11	143-145TC	\$4,970	X306375	210
	182-184TC	5,024	X306376	210
	213-215TC	5,024	X306377	210
	254-256TC	5,024	X306379	245
	284-286TC	5,039	X306381	245
	324-326TC	5,039	X306383	250
3x3x11A	143-145TC	5,418	X306391	210
	182-184TC	5,474	X306392	210
	213-215TC	5,474	X306393	210
	254-256TC	5,474	X306395	245
	284-286TC	5,703	X306397	245
	324-326TC	5,703	X306399	245
	364-365TC	5,703	X306401	290
	404-405TC	5,703	X306403	290
4x4x11	182-184TC	6,072	X306408	260
	213-215TC	6,072	X306409	260
	254-256TC	6,072	X306411	290
	284-286TC	6,250	X306413	290
	324-326TC	6,250	X306415	290
	364-365TC	6,250	X306417	340
	404-405TC	6,250	X306419	340
	444-445TC	8,144	X306421	340
5x5x11A	143-145TC	6,154	X306423	295
	182-184TC	6,120	X306424	300
	213-215TC	6,120	X306425	300
	254-256TC	\$6,120	X306427	330
	284-286TC	\$6,288	X306429	330
	324-326TC	\$6,288	X306431	330
	364-365TC	\$6,288	X306433	380
	404-405TC	\$6,288	X306435	380
	444-445TC	\$8,218	X306437	380

**NOTES:**

1) REFER TO SECTION 1010 FOR MOTOR PRICING.

# LIST PRICE SHEET

MODEL 382B-SC

TC Motors

## MODEL 382B-SC PUMPS (LESS MOTORS - SEE NOTE)

PUMP SIZE	MOTOR FRAME SIZE	STAINLESS FITTED (SSF)		WT (LBS)
		LIST PRICE	CONTROL NUMBER	
6x6x11	143-145TC	<b>\$8,850</b>	X306439	355
	182-184TC	<b>8,900</b>	X306440	355
	213-215TC	<b>8,950</b>	X306441	355
	254-256TC	<b>8,955</b>	X306443	390
	284-286TC	<b>8,969</b>	X306445	390
	324-326TC	<b>9,600</b>	X306447	390
	364-365TC	<b>9,900</b>	X306449	N/A
8x8x11A	213-215TC	<b>7,490</b>	X306457	475
	254-256TC	<b>7,725</b>	X306459	510
	284-286TC	<b>7,725</b>	X306461	510
	324-326TC	<b>7,725</b>	X306463	510
	364-365TC	<b>7,725</b>	X306465	555
3x3x13.5	143-145TC	<b>8,400</b>	X306721	320
	182-184TC	<b>8,462</b>	X306723	320
	213-215TC	<b>8,469</b>	X306725	320
	254-256TC	<b>8,479</b>	X306727	350
	284-286TC	<b>8,497</b>	X306729	350
	324-326TC	<b>9,417</b>	X306731	350
4x4x13.5	182-184TC	<b>9,358</b>	X306735	325
	213-215TC	<b>9,365</b>	X306737	325
	254-256TC	<b>9,320</b>	X306739	360
	284-286TC	<b>9,358</b>	X306741	360
	324-326TC	<b>9,365</b>	X306743	360
5x5x13.5	254-256TC	<b>9,472</b>	X306745	360
	284-286TC	<b>9,490</b>	X306747	360
	324-326TC	<b>10,406</b>	X306749	360

**NOTES:**

1) REFER TO SECTION 1010 FOR MOTOR PRICING.



# LIST PRICE SHEET

MODEL 382B-SC

TC Motors

## MODEL 382B-SC PUMPS (LESS MOTORS - SEE NOTE)

PUMP SIZE	MOTOR FRAME SIZE	STAINLESS FITTED (SSF)		WT (LBS)
		LIST PRICE	CONTROL NUMBER	
6x6x13.5	254-256TC	<b>\$9,438</b>	X306751	415
	284-286TC	<b>9,451</b>	X306753	415
	324-326TC	<b>10,372</b>	X306755	415
	364-365TC	<b>10,458</b>	X306757	540
8x8x13.5A	254-256TC	<b>11,771</b>	X306352	635
	284-286TC	<b>11,788</b>	X306354	635
	324-326TC	<b>12,100</b>	X306356	635
	364-365TC	<b>12,500</b>	X306358	690
	404-405TC	<b>13,055</b>	X306360	690
	444-445TC	<b>13,729</b>	X306362	690
10x10x13.5A	254-256TC	<b>13,142</b>	X306364	770
	284-286TC	<b>13,160</b>	X306366	770
	324-326TC	<b>13,200</b>	X306368	770
	364-365TC	<b>13,385</b>	X306370	830
	404-405TC	<b>13,883</b>	X306372	830
	444-445TC	<b>15,101</b>	X306374	830

**NOTES:**

1) REFER TO SECTION 1010 FOR MOTOR PRICING.

LIST PRICE SHEET  
 MODEL 382B-SC - XL Sizes  
 C-Face Motors

MODEL 382B-SC PUMPS (LESS MOTORS - SEE NOTE)

PUMP SIZE	"HP" MOTOR FRAME SIZE	STAINLESS FITTED (SSF)		WT (LBS)
		LIST PRICE	CONTROL NUMBER	
10x10x14	324-326TC	<b>\$18,921</b>	X306301	1104
	364-365TC	<b>19,768</b>	X306303	1106
	404-405TC	<b>21,744</b>	X306305	1111
	444-449TC	<b>25,979</b>	X306307	1124
10x10x19	364-365TC	<b>24,003</b>	X306309	1088
	404-405TC	<b>27,458</b>	X306311	1092
	444-449TC	<b>30,914</b>	X306313	1096
	5010SD	<b>33,263</b>	X306315	1157
12x12x14	284-286TC	<b>22,056</b>	X306317	1369
	324-326TC	<b>22,993</b>	X306319	1375
	364-365TC	<b>23,929</b>	X306321	1377
	404-405TC	<b>25,906</b>	X306323	1382
	444-449TC	<b>30,141</b>	X306325	1395
12x12x18	364-365TC	<b>25,416</b>	X306327	1809
	404-405TC	<b>29,651</b>	X306329	1814
	444-449TC	<b>33,886</b>	X306331	1827
	5010SD	<b>36,861</b>	X306333	1900
14x14x15	324-326TC	<b>28,985</b>	X306335	1636
	364-365TC	<b>30,962</b>	X306337	1641
	404-405TC	<b>32,345</b>	X306339	1700
	444-449TC	<b>34,913</b>	X306341	1713
	5010SD	<b>37,885</b>	X306343	1764
14x14x18	404-405TC	<b>48,703</b>	X306345	1941
	444-449TC	<b>51,271</b>	X306347	1952
	5010SD	<b>54,244</b>	X306349	2006

NOTES:

1) REFER TO SECTION 1010 FOR MOTOR PRICING.

**LIST PRICE SHEET**  
**MODEL 382B-SC**  
**OPTIONS**

This page is still under review. Please refer to Encompass for the most up to date info.

**TABLE 3**

OPTION	DESCRIPTION											
	MECHANICAL SEAL						MOTOR FRAME					
1	TYPE	SPECIFICATIONS	CODE	MFR	MAX. TEMP	CASE BORE	143HP-256HP		284HP-405HP		ALL 15" PUMPS	
							LIST PRICE	OPT. NO.	LIST PRICE	OPT. NO.	LIST PRICE	OPT. NO.
	21	0 <sub>28</sub> P <sub>66</sub> 1D1	769	CRANE	275	7, 9, 11, 12	\$800	1A	\$903	1C	\$1,484	1E

OPTION	DESCRIPTION	7" PUMP		9" PUMP		11" PUMP		12" PUMP		15" PUMP	
		LIST PRICE	OPT. NO.	LIST PRICE	OPT. NO.	LIST PRICE	OPT. NO.	LIST PRICE	OPT. NO.	LIST PRICE	OPT. NO.
6	IMPELLER WEARING RINGS BRONZE	\$294	6A	\$356	6B	\$917	6C	\$412	6D	\$1,376	6M

OPTION	DESCRIPTION	ALL	
		LIST PRICE	OPT. NO.
14	CAST IRON BASE (1-1/2x1-1/2x9B, 2x2x9A&B, 2x2x12, 3x3x9B, 3x3x12 and 4x4x9B)	\$598	14A
	PIPE FLANGE SUPPORT (ALL OTHER SIZES EXCEPT 8x8x15 and 10x10x15 )	352	14B
	PIPE FLANGE SUPPORT ( 8x8x15 & 10x10x15 ONLY)	449	14C

OPT. NO	DESCRIPTION (3M SCOTCHKOTE 134-FUSION BONDED )	LIST PRICE	OPT. NO.
54	EPOXY COATED CASING (INTERNAL ONLY) & BRACKET	\$1,023	54N
	EPOXY COATED CASING (INTERNAL ONLY) BRACKET & IMPELLER	1,532	54P
	EPOXY COATED IMPELLER ONLY	514	54R

OPTION	DESCRIPTION	ALL	
		LIST PRICE	OPT. NO.
88	TAPPING OF PUMP FEET ( 1-1/2x1-1/2x9B, 2x2x9A, 2x2x9B, 2x2x12, 3x3x9B, 3x3x12, 4x4x9A and 4x4x9B ) FOUR (4) 5/8" UNC TAPS ON 7-1/2" BOLT CIRCLE. MATCHES 4" - 125# FLANGE. ( OTHER SIZES TAPPED AS STANDARD)	\$202	88A

**NOTE: REFER TO DIMENSION SHEET SECTION 380 PAGE 201.**

**NOTES: 1) FOR ENGINEERING TESTS, SPECIAL CALCULATIONS, SPECIAL CURVES, DRAWINGS AND MANUALS, REFER TO SECTION 5000.**

LIST PRICE SHEET  
 MODEL 382B-SC  
 C-Face Motors

This page is still under review. Please refer to Encompass for the most up to date info.

OPTION	DESCRIPTION										
TYPE	SPECIFICATIONS	CODE	MFR	MAX. TEMP	ALL SIZES EXCEPT 14X14X15 & 14X14X18			14x14x15 14x14x18			
					LIST PRICE	Max Working Pressure <sup>3</sup>	OPT. NO.	LIST PRICE	Max Working Pressure <sup>3</sup>	OPT. NO.	
21	MECHANICAL SEAL B F55 1 O10 1 BUNA-N/CARBON/CERAMIC ( 225 DEG.F MAX.)	753	CRANE	225	STD	150 °F - 150 PSI 225 °F - 126 PSI	STD	N/A	N/A	N/A	N/A
21	MECHANICAL SEAL X P66 1 O10 1 VITON/CARBON/CERAMIC (CHEMICAL SERVICE) (HOT WATER 250 DEG.F MAX.)	764	CRANE	250	\$2,724	150 °F - 150 PSI 250 °F - 126 PSI	1AA	N/A	N/A	N/A	N/A
21	MECHANICAL SEAL 028 P66 1 D 1 EPR/CARBON/TUNGSTEN CARBIDE (HIGH TEMP, BOILER FEED SERVICE) (HOT WATER 275 DEG.F MAX.)	769	CRANE	275	\$1,484	150 °F - 232 PSI 250 °F - 192 PSI	1AB	N/A	N/A	N/A	N/A
1	MECHANICAL SEAL B F55 1 O10 1 BUNA-N/CARBON/CERAMIC ( 225 DEG.F MAX.)	753	CRANE	225	\$2,857	150 °F - 217 PSI 225 °F - 180 PSI	1AC	STD	150 °F - 200 PSI 225 °F - 166 PSI	STD	STD
1	MECHANICAL SEAL 028 P66 1 D 1 EPR/CARBON/TUNGSTEN CARBIDE (HIGH TEMP, BOILER FEED SERVICE) (HOT WATER 275 DEG.F MAX.)	769	CRANE	275	\$3,491	150 °F - 250 PSI 250 °F - 250 PSI	1AE	\$3,460	150 °F - 250 PSI 250 °F - 229 PSI	1AJ	1AJ
8B2	OUTSIDE BALANCED SEAL TYPE 8B2 MECHANICAL SEAL B F55 1 O10 1 BUNA-N/CARBON/CERAMIC ( 225 DEG.F MAX.)	753	CRANE	225	\$4,283	150 °F - 165 PSI 250 °F - 110 PSI	1AF	\$5,304	150 °F - 165 PSI 250 °F - 110 PSI	1AK	1AK
8B2	OUTSIDE BALANCED SEAL TYPE 8B2 MECHANICAL SEAL X F55 1 X O58 1 VITON/CARBON/SILICON CARBIDE (HOT WATER 250 DEG.F MAX.)	720	CRANE	250	\$5,321	150 °F - 165 PSI 250 °F - 110 PSI	1AG	\$5,888	150 °F - 165 PSI 250 °F - 110 PSI	1AL	1AL

OPTION	DESCRIPTION	10x10x14		12x12x14 12x12x18		14x14x15 14x14x18	
		LIST PRICE	OPT. NO.	LIST PRICE	OPT. NO.	LIST PRICE	OPT. NO.
6	IMPELLER WEARING RINGS STAINLESS STEEL TYPE 316	\$2,448	6SS	\$2,448	6SS	\$3,672	6SS

OPTION	DESCRIPTION	ALL	
		LIST PRICE	OPT. NO.
14	8" PIPE FLANGE SUPPORT (10x10x14, 10x10x19)	\$540	14FS
	PIPE FLANGE SUPPORT (ALL OTHER SIZES EXEPT 8x8x15 and 10x10x15)	#N/A	14B
	10" PIPE FLANGE SUPPORT (12x12x14, 12x12x18, 14x14x15, 14x14x18)	\$648	14FS

OPT. NO	Abrasive Seperator	LIST PRICE	OPT. NO.
19	ABRASIVE SEPARATOR, 1/2" NYLON	\$985	19AS
	ABRASIVE SEPARATOR, 1/2" NYLON W/ SIGHT FLOW INDICATOR <sup>5</sup>	\$1,397	19ASI
	DOXIE TYPE 5 STAINLESS STEEL SEPARATOR WITH ST. STL. BRAIDED HOSE.	\$5,243	19DS
	DOXIE TYPE 5 STAINLESS STEEL SEPARATOR WITH ST. STL. BRAIDED HOSE W/ SIGHT FLOW INDICATOR <sup>5</sup>	\$5,655	19DSI

OPTION	DESCRIPTION	10x10x14 10x10x19		12x12x14 12x12x18		14x14x15 14x14x18	
		LIST	OPT.	LIST	OPT.	LIST	OPT.
38	CASING FLANGES 250# FLAT FACE SUCTION/DISCHARGE <sup>4</sup>	\$710	38FD	\$710	38FD	\$710	38FD

OPT. NO	DESCRIPTION (3M SCOTCHKOTE 134-FUSION BONDED )	LIST PRICE	OPT. NO.
54	EPOXY COATED CASING (INTERNAL ONLY) & SEAL PLATE	\$1,734	54N

NOTES:

- FOR ENGINEERING TESTS, SPECIAL CALCULATIONS, SPECIAL CURVES, DRAWINGS AND MANUALS, REFER TO SECTION 5000.
- LEAD TIME FOR PUMPS WITH THIS OPTION WILL BE AT 16 TO 20 WEEKS
- IF PRESSURE IS GREATER THAN 175 PSI, OPTION 38 WILL NEED TO BE SELECTED AS WELL IN STANDARD PIPE SYSTEMS.
- MAX PUMP PRESSURE IS A COMBINATION OF FLANGE CONFIGURATION AND SEAL PRESSURE RATING
- SIGHT FLOW INDICATOR LIMITED TO 150 DEGREES F

LIST PRICE SHEET  
 MODEL 382B-CC

This page is still under review. Please refer to Encompass for the most up to date info.

OPTION	DESCRIPTION	ALL	
		LIST PRICE	OPT. NO.
14	2" PIPE FLANGE SUPPORT	#N/A	14FS
	4" PIPE FLANGE SUPPORT	#N/A	14FS
	6" PIPE FLANGE SUPPORT	#N/A	14FS

OPT. NO.	Abrasive Seperator	LIST PRICE	OPT. NO.
19	ABRASIVE SEPARATOR, 1/2" NYLON	\$985	19AS
	ABRASIVE SEPARATOR, 1/2" NYLON W/ SIGHT FLOW INDICATOR <sup>5</sup>	\$1,397	19ASI
	DOXIE TYPE 5 STAINLESS STEEL SEPARATOR WITH ST. STL. BRAIDED HOSE.	\$5,243	19DS
	DOXIE TYPE 5 STAINLESS STEEL SEPARATOR WITH ST. STL. BRAIDED HOSE W/ SIGHT FLOW INDICATOR <sup>5</sup>	\$5,655	19DSI

LIST PRICE SHEET  
**MODEL 382B**  
**OPTIONAL FEATURES**

This page is still under review. Please refer to Encompass for the most up to date info.

**TABLE 3**

OPTION	DESCRIPTION													
	MECHANICAL SEAL						MOTOR FRAME							
TYPE	SPEC	CODE	MFR	MAX TEMP	CASE BORE	143JM-215JM		254JM-256JM		284JM-326JM		365TCZ-445TCZ		
						LIST PRICE	OPT. NO.	LIST PRICE	OPT. NO.	LIST PRICE	OPT. NO.	LIST PRICE	OPT. NO.	
21	028P661D1	769	CRANE	275	7,9,11,12	\$800	1A	\$903	1C	\$903	1D	\$1,484	1E	
SPLIT SEAL						213JP-256JP		284JP-326JP		364TCZ-445TCZ				
3710	XF501O581 (316)	999	CRANE	250	7	N/A	N/A	5,021	1J	N/A	N/A	N/A	N/A	
442	CARBON VS CERAMIC,VITON (316)	999	CHESTERTON	250	7	4,839	1H	4,465	1K	N/A	N/A	N/A	N/A	
3710	XF501O581 (316)	999	CRANE	250	9	N/A	N/A	4,729	1M	5,058	1P	N/A	N/A	
442	CARBON VS CERAMIC,VITON (316)	999	CHESTERTON	250	9	4,058	1L	4,171	1N	4,500	1R	N/A	N/A	
3710	XF501O581 (316)	999	CRANE	250	11	N/A	N/A	5,386	1S	5,726	1W	N/A	N/A	
442	CARBON VS CERAMIC,VITON (316)	999	CHESTERTON	250	11	N/A	N/A	4,827	1T	5,166	1AA	N/A	N/A	
3710	XF501O581 (316)	999	CRANE	250	12	N/A	N/A	4,500	1AB	5,123	1AD	N/A	N/A	
442	CARBON VS CERAMIC,VITON (316)	999	CHESTERTON	250	12	N/A	N/A	3,938	1AC	4,566	1AE	N/A	N/A	
3710	XF501O581 (316)	999	CRANE	250	15	N/A	N/A	N/A	N/A	N/A	N/A	6,261	1F	
442	CARBON VS CERAMIC,VITON (316)	999	CHESTERTON	250	15	N/A	N/A	N/A	N/A	N/A	N/A	5,847	1G	

NOTE: JP MOTOR FRAME MUST BE USED WITH SPLIT SEAL OPTION.

OPTION	DESCRIPTION	MOTOR FRAME							
		143JM-215JM		254JM-256JM		284JM-326JM		365TCZ-445TCZ	
4	316 STAINLESS STEEL SHAFT SLEEVE	LIST PRICE	OPT. NO.	LIST PRICE	OPT. NO.	LIST PRICE	OPT. NO.	LIST PRICE	OPT. NO.
				\$462	4A	\$491	4E	\$491	4G
4	SPLIT SEAL OPTION REQUIRE JP SHAFT	143JP-184JP		213JP-256JP		284JP-326JP		364TCZ-445TCZ	
		LIST PRICE	OPT. NO.	LIST PRICE	OPT. NO.	LIST PRICE	OPT. NO.	LIST PRICE	OPT. NO.
		\$557	4J	\$572	4K	\$572	4L	\$572	4M

OPTION	DESCRIPTION	7" PUMP		9" PUMP		11" PUMP		12" PUMP		15" PUMP	
		LIST PRICE	OPT. NO.	LIST PRICE	OPT. NO.	LIST PRICE	OPT. NO.	LIST PRICE	OPT. NO.	LIST PRICE	OPT. NO.
6	IMPELLER WEARING RINGS BRONZE	\$294	6A	\$356	6B	\$917	6C	\$412	6D	\$1,376	6M

NOTES: 1.) MODEL 382A PUMPS HAVE "O" RING SEALED SHAFT SLEEVES AS STANDARD & ELIMINATES THE NEED FOR A STAINLESS STEEL SHAFT.  
 2.) FOR ENGINEERING TESTS, SPECIAL CALCULATIONS, SPECIAL CURVES, DRAWINGS AND MANUALS, REFER TO SECTION 5000.

**LIST PRICE SHEET**  
**MODEL 382B**  
**OPTIONAL FEATURES**

This page is still under review. Please refer to Encompass for the most up to date info.

**TABLE 3**

OPTION NO.	DESCRIPTION	ALL	
		LIST PRICE	OPT. NO.
14	CAST IRON BASE ( 1-1/2x1-1/2x9B, 2x2x9A&B, 2x2x12, 3x3x9B, 3x3x12 and 4x4x9)	\$598	14A
	PIPE FLANGE SUPPORT (ALL OTHER SIZES EXCEPT 8x8x15 and 10x10x15)	352	14B
	PIPE FLANGE SUPPORT ( 8x8x15 & 10x10x15 only )	449	14C

OPTION NO.	DESCRIPTION	ALL	
		LIST PRICE	OPT. NO.
88	TAPPING OF PUMP FEET (1-1/2x1-1/2x9B, 2x2x9A & B, 2x2x12, 3x3x9B, 3x3x12 and 4x4x9A & B) FOUR (4) 5/8" UNC TAPS ON 7-1/2" BOLT CIRCLE. MATCHES 4"-125# FLANGE, (OTHER SIZES TAPPED AS STANDARD)	\$202	88A

**NOTE: REFER TO DIMENSION SHEET SECTION 380 PAGE 201.**

SECTION 3800 PAGE 1  
DATED JANUARY 1, 2020  
SUPERCEDES PAGE 1 (3800)  
DATED FEBRUARY 18, 2019

## **LIST PRICES**

**SINGLE STAGE  
END SUCTION PUMPS**

**MODEL 3801  
HORIZONTAL CLOSE-COUPLED PUMPS**

**MODEL 3804  
HORIZONTAL FLEX-COUPLED PUMPS**

ALL 3800 PUMPS ARE NSF/ANSI 372 UNLESS OTHERWISE NOTED

F.O.B. NO. AURORA, ILLINOIS 60542  
PRICING SUBJECT TO CHANGE WITHOUT NOTICE.



**AURORA®**



LIST PRICE SHEET  
**MODELS 3800**  
**ORDER TRANSMITTAL EXAMPLE**

(EXAMPLE ONLY-Pricing used in this example may not reflect current pricing.)

**Internal Use Only**

Proj #:	
SO #:	

Date: 6/14/12

**Order Transmittal  
 Product Page**

Hold for Approval



**AURORA**  
 www.pentair.com

**Your Contact Information:**

Name: John Smith Phone: (555) 555-5555 email: JohnSmith@Distributor.com

**6 Product Information:**

Pump and Motor Information													Qty	List	Mult.	Net Ea	Total Net
Tag	Control/Part Number	Size/Description	Flow	TDH	Speed	Power	Voltage	Ph	Hz	Frame	Encl	Mfr					
	X381153	3801 4 x 5 x 11 with a 25 HP, 3 phase, 1750 RP	684	95	1750		230/460	3	60	284JM	ODP		1	\$2,578.00	0.53	\$1,366.34	\$1,366.34
	972569180 A	25 HP, 3 phase, 1750 RPM, 230/460 volt, ODP					230/460	3	60	284JM	ODP	USEM	1	\$3,614.00	0.53	\$1,915.42	\$1,915.42
	X384069	3804 4 x 5 x 11, Power Frame 2	684	95	1750		230/460	3	60	284T	ODP		1	\$2,950.00	0.53	\$1,563.50	\$1,563.50
	14BA	Steel Base with Guard Power Frame 2, 284T											1	\$665.00	0.53	\$352.45	\$352.45
	34P	Coupling Power Frame 2, 284T											1	\$180.00	0.53	\$95.40	\$95.40
	922569180 A	25 HP, 3 phase, 1750 RPM, 230/460 volt, Pre					230/460	3	60	284T	ODP	USEM	1	\$3,810.00	0.53	\$2,019.30	\$2,019.30

Certified Test Curves: <input type="text"/>	email to send tests: <input type="text"/>	<b>Sub-total</b>	<b>\$7,312.41</b>
other email: <input type="text"/>	other email: <input type="text"/>	<b>Sales Off. cost</b>	
<b>COMMISSION AGENT ONLY</b>		<b>Sales Off. comm.</b>	
Distributor #:	NAME	<b>Quoted Freight</b>	
NOTES		<b>GRAND TOTAL</b>	<b>\$7,312.41</b>

LIST PRICE SHEET  
**3800 SERIES**  
**PRICING INSTRUCTIONS**

**MODEL 3801 PUMPS:**

To price a basic pump unit, which is comprised of the pump and motor, simply follow the steps in the example below. The example is for a model 3801, size 4 x 5 x 11A with a 25 HP, 3 phase, 1750 RPM, 230/460 volt, ODP motor.

	<b>LIST PRICE</b>	<b>CONTROL / OPTION</b>
1. Select the required motor frame size from Table 1 for 25 HP, 1750 RPM, ODP motor		284JM
2. Select the appropriate control number and list price for the "Pump Only" from Table 2. Size 4 x 5 x 11, Stainless Impeller Fitted, for use with 1750 RPM motor.	<b>\$1,412</b>	X381001
3. Select the price and option number for any desired pump options from table 7 based on the motor frame size		
4. Refer to Section 1010 for price and part number of the required motor (horizontal 15 HP, 3600 RPM, 230/460 volt, ODP enclosure).	<b>\$2,903</b>	972-5691-80A
5. Refer to Section 5000 for price and option number of any testing, engineering calculations or special coating systems which may be required.		

**MODEL 3804 PUMPS:**

To price a basic pump unit, which is comprised of the pump, base, coupling, coupling guard and motor, simply follow the steps in the example below. The example is for a model 3804, size 4 x 5 x 11 with a steel base, coupling, guard and a 25 HP, 3 phase, 1750 RPM, 230/460 volt, ODP motor.

	<b>LIST PRICE</b>	<b>CONTROL / OPTION</b>
1. Select the appropriate control number and list price for the "Pump Only" from Table 3. Size 4 x 5 x 11, Power Frame 2, Stainless Impeller Fitted, for use with 1750 RPM motor. For specific power frame and motor size, refer to Tables 4 & 5, or refer to dimension sheets for more detailed selection information.	<b>\$1,412</b>	X381001
2. Select the required motor frame size from Table 4 for 25 HP, 1750 RPM, ODP motor.		284T
3. Based on the pump power frame size determined in Step 1 and the motor frame determined in Step 2, select the prices and option numbers for coupling and steel base with guard (or steel drip rim base) from table 5.		
	Steel base with guard	<b>778</b> 14BA
	Coupling	<b>211</b> 34P
4. Select the price and option number for any desired pump options from Table 6 based on the power frame size, not motor frame.		
5. Refer to Section 1010 for price and part number of the required motor (horizontal 25 HP, 1750 RPM, 230/460 volt, ODP enclosure, Premium)	<b>\$4,100</b>	922-5691-80A
6. Refer to Section 5000 for price and option number of any testing, engineering calculations or special coating systems which may be required.		

LIST PRICE SHEET  
**3800 SERIES**  
**MATERIALS**

<b>MATERIALS OF CONSTRUCTION</b>	
<b>PUMP COMPONENT</b>	<b>STAINLESS STEEL IMPELLER FITTED</b>
Casing	Ductile Iron ASTM A536
Impeller	Stainless Steel ASTM A 743 Type 316
Seal plate/motor bracket	Cast Iron ASTM A48
Shaft (Pentair Aurora 3804 only)	Stainless Steel AISI C1045
Sleeve	Stainless Steel ASTM A743 type 316
Power frame (Pentair Aurora 3804 only) (PF1, PF2, PF3 or PF21A)	Cast Iron ASTM A48
Mechanical seal	
Washer	Carbon
Seat	Ceramic
Elastomer	Buna-N
Metal Parts	303 SST
Spring	303 SST

**LIST PRICE SHEET**  
**3800 SERIES**  
**CLOSE COUPLED MOTOR FRAMES**

**TABLE 1**

HP Rating	3600/3000 RPM		1800/1500 RPM		1200 RPM	
	ODP Frame	TEFC Frame	ODP Frame	TEFC Frame	ODP Frame	TEFC Frame
1			143JM	143JM	145JM	145JM
1.5	143JM	143JM	145JM	145JM	182JM	182JM
2	145JM	145JM	145JM	145JM	184JM	184JM
3	145JM	182JM	182JM	182JM	213JM	213JM
5	182JM	184JM	184JM	184JM	215JM	215JM
7.5	184JM	213JM	213JM	213JM	254JM	254JM
10	213JM	215JM	215JM	215JM	256JM	256JM
15	215JM	254JM	254JM	254JM	284JM	284JM
20	254JM	256JM	256JM	256JM	286JM	286JM
25	256JM	284JM	284JM	284JM	324JM	324JM
30	284JM	286JM	286JM	286JM	326JM	326JM
40	286JM	324JM	324JM	324JM	364JM/TCZ*	364JM/TCZ*
50	324JM	326JM	326JM	326JM	364JM/TCZ*	364JM/TCZ*
60	326JM	364JM/TCZ*	364JM/TCZ*	364JM/TCZ*	364TCZ	364TCZ
75	364JM/TCZ*	364JM/TCZ*	364JM/TCZ*	364JM/TCZ*	364TCZ	364TCZ
100	364JM/TCZ*	405JM/TCZ*	404JM/TCZ*	405JM/TCZ*	444TCZ	444TCZ
125	404TCZ	444TCZ	405TCZ	444TCZ	-	-
150	405TCZ	445TCZ	444TCZ	-	-	-
200	444TCZ	-	-	-		
250	-	-	-			
300	-					

\* - Several Motor Manufactureres offer a close coupled JM/JP motor that uses a 326JM/JP interface for motors up to 100 HF The motors may be called JM/JP or TCZ. Bearing Calculations have been performed to verify pump sill meet a 25k minimur bearing life

\*\* - 6x8x13.5 & 8x10x13.5 Models require a JP Motor shaft instead of a JM Motor Shaft



LIST PRICE SHEET  
**MODEL 3801**  
**CLOSE COUPLED PUMPS**

**MODEL 3801 PUMPS**  
 (LESS MOTOR - SEE NOTE 2)

PUMP SIZE	FRAME SIZE	STAINLESS IMPELLER FITTED (SF)		WT LBS.
		LIST PRICE	CONTROL NUMBER	
1.25x1.5x7	143-184 JM	<b>\$1,412</b>	X381001	57
	213-215 JM	<b>1,457</b>	X381003	60
1.5x2x7	143-184 JM	<b>1,411</b>	X381005	63
	213-215 JM	<b>1,456</b>	X381007	66
2x2.5x7A	143-184 JM	<b>1,560</b>	X381014	81
	213-215 JM	<b>1,587</b>	X381016	84
	254-256 JM	<b>1,655</b>	X381018	87
2.5x3x7	143-184 JM	<b>1,718</b>	X381021	100
	213-215 JM	<b>1,750</b>	X381023	103
	254-256 JM	<b>1,950</b>	X381025	106
	284-326 JM	<b>2,016</b>	X381027	114
3x4x7A	143-184 JM	<b>1,727</b>	X381030	180
	213-215 JM	<b>1,760</b>	X381032	117
	254-256 JM	<b>1,857</b>	X381034	120
	284-326 JM	<b>1,896</b>	X381036	128
4x5x7A	143-184 JM	<b>1,961</b>	X381038	153
	213-215 JM	<b>2,026</b>	X381040	156
	254-256 JM	<b>2,150</b>	X381042	159
	284-326 JM	<b>2,209</b>	X381044	167
5x6x7A	143-184 JM	<b>2,279</b>	X381046	180
	213-215 JM	<b>2,475</b>	X381048	204
	254-256 JM	<b>2,650</b>	X381050	206
	284-326 JM	<b>2,799</b>	X381052	214
	364-405 TCZ	<b>3,349</b>	X381054	220
1.25x1.5x9.5	143-184 JM	<b>1,500</b>	X381231	100
	213-215 JM	<b>1,515</b>	X381233	100
	254-256 JM	<b>1,540</b>	X381235	105
	284-326 JM	<b>1,573</b>	X381237	110
1.5x2x9.5	143-184 JM	<b>1,520</b>	X381239	105
	213-215 JM	<b>1,535</b>	X381241	105
	254-256 JM	<b>1,580</b>	X381243	110
	284-326 JM	<b>1,600</b>	X381245	115
2x2.5x9.5	143-184 JM	<b>1,832</b>	X381055	113
	213-215 JM	<b>1,862</b>	X381057	116
	254-256 JM	<b>1,914</b>	X381059	122
	284-326 JM	<b>1,974</b>	X381061	130
2.5x3x9.5	143-184 JM	<b>2,038</b>	X381063	135
	213-215 JM	<b>2,103</b>	X381065	138
	254-256 JM	<b>2,191</b>	X381067	144
	284-326 JM	<b>2,294</b>	X381069	152

**NOTES:**

1. REFER TO DIMENSION SHEETS FOR MORE DETAILED SELECTION INFORMATION
2. BARE CLOSE COUPLED "PUMP ONLY" WILL NOT BE SUPPLIED. A MATCHING MOTOR SELECTED FROM SECTION 1010 MUST ALSO BE PURCHASED WITH EACH "PUMP." PRICING AND SELECTION ARE OUTLINED IN SECTION 1010. IF "PUMP ONLY" IS NEEDED, PLEASE REFER TO THE 3800LE PRICE PAGES.

**LIST PRICE SHEET**  
**MODEL 3801**  
**CLOSE COUPLED PUMPS**

**MODEL 3801 PUMPS**  
 (LESS MOTOR - SEE NOTE 2)

PUMP SIZE	FRAME SIZE	STAINLESS IMPELLER FITTED (SF)		WT LBS.
		LIST PRICE	CONTROL NUMBER	
3x4x9.5	213-215 JM	<b>\$2,191</b>	X381077	143
	254-256 JM	<b>2,293</b>	X381079	148
	284-326 JM	<b>2,440</b>	X381081	156
	364-405 TCZ	<b>RTF</b>	X381083	166
4x5x9.5	213-215 JM	<b>2,595</b>	X381089	192
	254-256 JM	<b>2,699</b>	X381091	198
	284-326 JM	<b>2,862</b>	X381093	206
	364-405 TCZ	<b>RTF</b>	X381095	215
	444-449 TCZ	<b>RTF</b>	X381097	228
5x6x9.5A	213-215 JM	<b>2,949</b>	X381102	238
	254-256 JM	<b>3,104</b>	X381104	245
	284-326 JM	<b>3,235</b>	X381106	253
6x8x9.5A*	254-256 JM	<b>3,235</b>	see note below	426
	284-326 JM	<b>3,423</b>	see note below	372
1.5x2x11	143-184 JM	<b>1,998</b>	X381115	130
	213-215 JM	<b>2,028</b>	X381117	133
	254-256 JM	<b>2,069</b>	X381119	136
	284-326 JM	<b>2,157</b>	X381121	144
2x3x11	143-184 JM	<b>2,086</b>	X381123	178
	213-215 JM	<b>2,153</b>	X381125	181
	254-256 JM	<b>2,224</b>	X381127	179
	284-326 JM	<b>2,330</b>	X381129	187
	364-405 TCZ	<b>RTF</b>	X381131	196
3x4x11	143-184 JM	<b>2,844</b>	X381135	213
	213-215 JM	<b>2,852</b>	X381137	216
	254-256 JM	<b>2,953</b>	X381139	216
	284-326 JM	<b>3,084</b>	X381141	224
	364-405 TCZ	<b>RTF</b>	X381143	232
	444-449 TCZ	<b>RTF</b>	X381145	242

\* Temporarily unavailable until further notice

**NOTES:**

1. REFER TO DIMENSION SHEETS FOR MORE DETAILED SELECTION INFORMATION
2. BARE CLOSE COUPLED "PUMP ONLY" WILL NOT BE SUPPLIED. A MATCHING MOTOR SELECTED FROM SECTION 1010 MUST ALSO BE PURCHASED WITH EACH "PUMP." PRICING AND SELECTION ARE OUTLINED IN SECTION 1010. IF "PUMP ONLY" IS NEEDED, PLEASE REFER TO THE 3800LE PRICE PAGES.

LIST PRICE SHEET  
**MODEL 3801**  
**CLOSE COUPLED PUMPS**

**MODEL 3801 PUMPS**  
 (LESS MOTOR - SEE NOTE 2)

PUMP SIZE	FRAME SIZE	STAINLESS IMPELLER FITTED (SF)		WT LBS.
		LIST PRICE	CONTROL NUMBER	
4x5x11A	213-215 JM	<b>\$2,788</b>	X381247	215
	254-256 JM	<b>2,881</b>	X381249	217
	284-326 JM	<b>2,959</b>	X381251	225
	364-405 TCZ	<b>RTF</b>	X381253	234
	444-449 TCZ	<b>RTF</b>	X381255	244
5x6x11	254-256 JM	<b>3,100</b>	X381163	295
	284-326 JM	<b>3,183</b>	X381165	303
6x8x11A	254-256 JM	<b>4194</b>	X381257	455
	284-326 JM	<b>4368</b>	X381259	401
1.5x2x12	143-184 JM	<b>2,236</b>	X381175	150
	213-215 JM	<b>2,281</b>	X381177	153
2x3x13.5	254-256 JM	<b>3,035</b>	X381181	231
	284-326 JM	<b>3,169</b>	X381183	239
2.5x3x13.5	213-215 JM	<b>3,357</b>	X381185	315
	254-256 JM	<b>3,487</b>	X381187	255
	284-326 JM	<b>3,634</b>	X381189	263
3x4x13.5	254-256 JM	<b>3,632</b>	X381191	254
	284-326 JM	<b>3,791</b>	X381193	262
4x5x13.5	254-256 JM	<b>3,822</b>	X381199	278
	284-326 JM	<b>4,096</b>	X381201	286
5x6x13.5	254-256 JM	<b>4,299</b>	X381207	388
	284-326 JM	<b>4,482</b>	X381209	396
	364-405TCZ	<b>5,690</b>	X381211	389
	444-449TCZ	<b>RTF</b>	X381213	396
6x8x13.5	254-256 JP	<b>RTF</b>	X381215	493
	284-326 JP	<b>5,181</b>	X381217	514
	364-405 TCZ	<b>5,738</b>	X381219	539
	444-449 TCZ	<b>6,247</b>	X381221	549
8x10x13.5	254-256 JP	<b>RTF</b>	X381223	570
	284-326 JP	<b>6248</b>	X381225	594
	364-405 TCZ	<b>6,886</b>	X381227	619
	444-449 TCZ	<b>RTF</b>	X381229	629

**NOTES:**

1. REFER TO DIMENSION SHEETS FOR MORE DETAILED SELECTION INFORMATION
2. BARE CLOSE COUPLED "PUMP ONLY" WILL NOT BE SUPPLIED. A MATCHING MOTOR SELECTED FROM SECTION 1010 MUST ALSO BE PURCHASED WITH EACH "PUMP." PRICING AND SELECTION ARE OUTLINED IN SECTION 1010. IF "PUMP ONLY" IS NEEDED, PLEASE REFER TO THE 3800LE PRICE PAGES.



**LIST PRICE SHEET**  
**MODEL 3804**  
**MOTOR FRAME SELECTION**

**TABLE 4**

**MOTOR FRAME DESIGNATIONS FOR INTEGRAL HORSEPOWER RATINGS TO BE USED FOR BASE AND COUPLING SELECTION.**

HP RATING	3600 RPM		1800 RPM		1200 RPM	
	ODP	TEFC	ODP	TEFC	ODP	TEFC
1	56	56	143T	143T	145T	145T
1-1/2	143T	143T	145T	145T	182T	182T
2	145T	145T	145T	145T	184T	184T
3	145T	182T	182T	182T	213T	213T
5	182T	184T	184T	184T	215T	215T
7-1/2	184T	213T	213T	213T	254T	254T
10	213T	215T	215T	215T	256T	256T
15	215T	254T	254T	254T	284T	284T
20	254T	256T	256T	256T	286T	286T
25	256T	284TS	284T	284T	324T	324T
30	284TS	286TS	286T	286T	326T	326T
40	286TS	324TS	324T	324T	364T	364T
50	324TS	326TS	326T	326T	365T	365T
60	326TS	364TS	364TS	364TS	404T	404T
75	364TS	365TS	365TS	365TS	405T	405T
100	365TS	405TS	404TS	405TS	444T	444T
125	404TS	444TS	405TS	444TS	445T	445T
150	405TS	445TS	444TS	445T		
200	444TS		445T			

**FOR MOTOR SELECTION AND PRICING, REFER TO SECTION 1010-60Hz.**

HP	3000 RPM		1500 RPM			
	ODP	TEFC	ODP	TEFC	ODP	TEFC
	380V & 415V		380V		415V	
1.5	143T	143T	143T	145T	182T	145T
2	145T	145T	145T	145T	182T	145T
3	145T	182T	182T	182T	184T	182T
5	182T	184T	184T	184T	213T	184T
7.5	184T	213T	213T	213T	215T	213T
10	213T	215T	215T	215T	254T	215T
15	215T	254T	254T	254T	254T	254T
20	254T	256T	256T	256T	256T	256T
25	256T	284TS	284TS	284TS	284TS	284TS
30	284TS	286TS	286TS	286TS	286TS	286TS
40	286TS	324TS	324TS	324TS	324TS	324TS
50	324TS	326TS	326TS	326TS	326TS	326TS
60	326TS	364TS	364TS	364TS	364TS	364TS
75	364TS	365TS	365TS	365TS	365TS	365TS
100	365TS	405TS	404TS	404/405TS	405TS	405TS
125*	404TS	444TS	405TS	444TS	444TS	444TS
150*	405TS	445TS	444TS	445TS	444TS	445TS
200*	444TS		445TS		445TS	

**FOR MOTOR SELECTION AND PRICING, REFER TO SECTION 1010-50Hz.**

LIST PRICE SHEET  
**MODEL 3804 CLOSE COUPLED PUMPS**  
 MODEL 3804 PUMPS  
 (LESS MOTOR - SEE NOTE 2)

PUMP SIZE	RPM	POWER FRAME	STAINLESS IMPELLER FITTED (SF)		WT LBS.
			LIST PRICE	CONTROL NUMBER	
1.25x1.5x7	3550 1750	1	<b>\$1,477</b>	X384001	89
1.5x2x7	3550 1750	1	<b>1,475</b>	X384003	101
2x2.5x7A	3550 1750	1	<b>1,686</b>	X384008	115
2.5x3x7	3550	2	<b>1,917</b>	X384151	164
	3550 1750	1	<b>1,786</b>	X384011	134
3x4x7A	3550	2	<b>2,028</b>	X384014	180
	1750	1	<b>1,929</b>	X384016	149
4x5x7A	3600	3	<b>2,650</b>	X384112	238
	3550	2	<b>2,576</b>	X384018	237
	1800	1	<b>2,181</b>	X384020	207
5x6x7A	3550	3	<b>2,941</b>	X384140	272
	1750	2	<b>2,807</b>	X384138	267
		1	<b>2,661</b>	X384136	237
1.25x1.5x9.5	3550	2	<b>1,850</b>	X384155	160
	1750	1	<b>1,650</b>	X384153	135
1.5x2x9.5	3550	2	<b>2,000</b>	X384161	165
	1750	1	<b>1,900</b>	X384159	140
2x2.5x9.5	3550	2	<b>2,173</b>	X384101	144
	1750	1	<b>1,991</b>	X384027	173
2.5x3x9.5	3550	3	<b>2,558</b>	X384029	198
	1750	1	<b>2,338</b>	X384031	163
3x4x9.5	3550	3	<b>2,650</b>	X384037	206
	1750	1	<b>2,354</b>	X384039	169
4x5x9.5	3550	2	<b>3,026</b>	X384115	240
	1750	1	<b>2,552</b>	X384113	220
5x6x9.5A	2950	3	<b>3,544</b>	X384042	310
	1750	2	<b>3,065</b>	X384044	305
	1750	1	<b>2,907</b>	temporarily unavailable	275
6x8x9.5A*	1750	2	<b>3,535</b>	X384047	426

\* Temporarily unavailable until further notice

LIST PRICE SHEET  
**MODEL 3804 CLOSE COUPLED PUMPS**  
 MODEL 3804 PUMPS  
 (LESS MOTOR - SEE NOTE 2)

PUMP SIZE	RPM	POWER FRAME	STAINLESS IMPELLER FITTED (SF)		WT LBS.
			LIST PRICE	CONTROL NUMBER	
1.5x2x11	3550	2	<b>\$2,378</b>	X384049	175
	1750 1150	1	<b>2,187</b>	X384051	160
2x3x11	3550	3	<b>3,000</b>	X384053	250
	1750 1150	1	<b>2,632</b>	X384057	220
3x4x11	3550	3	<b>3,357</b>	X384059	264
	1750 1150	1	<b>2,827</b>	X384063	234
4x5x11A	3550	21A	<b>4,930</b>	X384165	309
	2950	3	<b>3,511</b>	X384167	284
	1750	2	<b>3,387</b>	X384169	277
	1750 1150	1	<b>4,273</b>	X384171	455
5x6x11	2950	3	<b>3,752</b>	X384071	355
	1750 / 1150	2	<b>3,564</b>	X384073	350
6x8x11A	1750 / 1150	3	<b>4,273</b>	X384173	455
1.5x2x12	1750 / 1150	1	<b>2,354</b>	X384079	180
2x3x13.5	1750 / 1150	3	<b>3,573</b>	X384131	292
2.5x3x13.5	1750 / 1150	3	<b>3,676</b>	X384083	320
3x4x13.5	2950	3	<b>3,834</b>	X384125	315
	1750 1150	2	<b>3,680</b>	X384087	310
4x5x13.5	2950	21A	<b>5,382</b>	X384143	460
	1750 1150	3	<b>4,246</b>	X384091	335
5x6x13.5	1750 1150	3	<b>4,671</b>	X384089	435
6x8x13.5	1750 1150	21A	<b>6,755</b>	X384123	525
8x10x13.5	1750 1150	21A	<b>7,680</b>	X384099	804

**NOTES:**

1. REFER TO DIMENSION SHEETS FOR MORE DETAILED SELECTION INFORMATION
2. REFER TO SECTION 1010 FOR MOTOR PRICES

**LIST PRICE SHEET**  
**MODEL 3804**  
**BASE AND COUPLINGS**

This page is still under review. Please refer to Encompass for most up to date information.

**TABLE 5**

**BASES AND COUPLINGS**

MOTOR FRAME SIZE	POWER FRAME #1								
	COUPLING			STEEL BASE			*STEEL DRIP RIM BASE		
	LIST PRICE	OPT. NO.	WT.	LIST PRICE	OPT. NO.	WT.	LIST PRICE	OPT. NO.	WT.
143T	<b>\$133</b>	34STD	1	<b>\$614</b>	14H	50	<b>\$911</b>	14B	110
145T	<b>133</b>	34STD	1	<b>614</b>	14H	50	<b>911</b>	14B	110
182T	<b>149</b>	34STD	1	<b>614</b>	14J	50	<b>911</b>	14C	110
184T	<b>149</b>	34STD	3	<b>614</b>	14J	50	<b>911</b>	14C	110
213T	<b>167</b>	34STD	3	<b>693</b>	14K	55	<b>911</b>	14D	110
215T	<b>186</b>	34STD	3	<b>693</b>	14L	55	<b>991</b>	14E	110
254T	<b>186</b>	34STD	3	<b>716</b>	14M	120	<b>964</b>	14F	110
256T	<b>186</b>	34STD	3	<b>716</b>	14M	120	<b>964</b>	14F	110

MOTOR FRAME SIZE	POWER FRAME #2 AND 3								
	COUPLING			STEEL BASE			*STEEL DRIP RIM BASE		
	LIST PRICE	OPT. NO.	WT.	LIST PRICE	OPT. NO.	WT.	LIST PRICE	OPT. NO.	WT.
143T	<b>\$153</b>	34STD	3	<b>\$760</b>	14AM	55	-	-	-
145T	<b>153</b>	34STD	3	<b>760</b>	14AM	55	<b>\$964</b>	14P	110
182T	<b>153</b>	34STD	3	<b>760</b>	14AN	55	<b>964</b>	14R	110
184T	<b>153</b>	34STD	3	<b>760</b>	14AN	55	<b>964</b>	14R	110
213T	<b>169</b>	34STD	3	<b>760</b>	14AP	120	<b>964</b>	14T	110
215T	<b>187</b>	34STD	3	<b>760</b>	14AR	120	<b>964</b>	14W	110
254T	<b>195</b>	34STD	3	<b>770</b>	14AT	120	<b>1,161</b>	14AA	175
256T	<b>211</b>	34STD	6	<b>770</b>	14AW	120	<b>1,161</b>	14AB	175
284T	<b>211</b>	34STD	6	<b>778</b>	14BA	130	<b>1,161</b>	14AC	175
284TS	<b>187</b>	34STD	3	<b>778</b>	14BB	130	<b>1,161</b>	14AD	175
286T	<b>302</b>	34STD	21	<b>778</b>	14BL	130	<b>1,161</b>	14BM	175
286TS	<b>211</b>	34STD	6	<b>778</b>	14BC	130	<b>1,161</b>	14AE	175
324T	<b>304</b>	34STD	21	<b>791</b>	14BD	140	<b>1,476</b>	14AF	175
324TS	<b>213</b>	34STD	6	<b>791</b>	14BE	140	<b>1,476</b>	14AG	175
326T	<b>304</b>	34STD	21	<b>791</b>	14BD	140	<b>1,476</b>	14AF	175
326TS	<b>304</b>	34STD	30	<b>791</b>	14BF	140	<b>1,476</b>	14AH	175
364TS	<b>396</b>	34STD	30	<b>816</b>	14BG	140	<b>1,476</b>	14AJ	175
365T	<b>684</b>	34STD	30	<b>816</b>	14CB	150	<b>1,476</b>	14CL	175
365TS	<b>651</b>	34STD	30	<b>816</b>	14BH	140	<b>1,476</b>	14CM	175
404T	<b>684</b>	34STD	60	<b>1,188</b>	14CC	270	<b>2,614</b>	14CN	300
404TS	<b>651</b>	34STD	35	<b>1,188</b>	14BJ	270	<b>2,614</b>	14CP	300
405T	<b>752</b>	34STD	60	<b>1,631</b>	14CD	270	<b>2,614</b>	14CR	300
405TS	<b>716</b>	34STD	60	<b>1,631</b>	14CE	270	<b>2,614</b>	14CT	300
444T	<b>827</b>	34STD	60	<b>1,631</b>	14CF	270	<b>2,614</b>	14CW	300
444TS	<b>752</b>	34STD	60	<b>1,631</b>	14CG	270	<b>2,614</b>	14DA	300
445T	<b>827</b>	34STD	110	<b>1,631</b>	14CH	310	<b>2,614</b>	14DB	340
445TS	<b>752</b>	34STD	110	<b>1,631</b>	14CJ	310	<b>2,614</b>	14DC	340

\* NON STOCK OPTION, REFER TO FACTORY FOR EXTENDED LEADTIME.

**LIST PRICE SHEET**  
**MODEL 3804**  
**BASE AND COUPLINGS**

This page is still under review. Please refer to Encompass for most up to date information.

**TABLE 6**

**BASES AND COUPLINGS**

MOTOR FRAME SIZE	POWER FRAME #21A								
	COUPLING			STEEL BASE			*STEEL DRIP RIM BASE		
	LIST PRICE	OPT. NO.	WT.	LIST PRICE	OPT. NO.	WT.	LIST PRICE	OPT. NO.	WT.
284T	\$477	34STD	21	\$1,269	14EJ	270	\$2,658	14GB	260
284TS	477	34STD	21	1,269	14EK	270	2,658	14GC	260
286T	477	34STD	21	1,269	14EL	270	2,658	14GD	260
286TS	477	34STD	21	1,269	14EM	270	2,658	14GE	260
324T	477	34STD	21	2,090	14EN	315	2,704	14GF	260
324TS	477	34STD	21	2,090	14EP	315	2,704	14GG	260
326T	477	34STD	21	2,090	14ER	315	2,704	14GH	260
326TS	477	34STD	21	2,090	14ET	315	2,704	14GJ	260
364T	842	34STD	30	2,090	14HD	315	2,704	14HE	260
364TS	842	34STD	30	2,090	14EW	315	2,704	14GK	260
365T	1,193	34STD	30	2,090	14FA	315	2,704	14GL	260
365TS	1,193	34STD	30	2,090	14FB	315	2,704	14GM	260
404T	1,424	34STD	30	2,090	14FC	315	3,446	14GN	305
404TS	1,193	34STD	30	2,090	14FD	315	3,446	14GP	305
405T	1,424	34STD	35	2,090	14FE	315	3,446	14GR	305
405TS	1,424	34STD	35	2,090	14FF	315	3,446	14GT	305
444T	1,424	34STD	35	2,090	14FG	315	3,446	14GW	305
444TS	1,424	34STD	35	2,090	14FH	315	3,446	14HA	305
445T	2,014	34STD	35	2,090	14FJ	315	3,446	14HB	305
445TS	2,014	34STD	35	2,090	14FK	315	3,446	14HC	305

\* NON STOCK OPTION, REFER TO FACTORY FOR EXTENDED LEADTIME.

LIST PRICE SHEET  
**3800 SERIES**  
**OPTIONAL FEATURES**

This page is still under review. Please refer to Encompass for most up to date information.

**TABLE 7**

OPT. NO.	Type	DESCRIPTION	Code	Mfr	POWER FRAME # 1		POWER FRAME # 2		POWER FRAME # 3		POWER FRAME # 21A		--	
					LIST PRICE	OPT. NO.	LIST PRICE	OPT. NO.	LIST PRICE	OPT. NO.	LIST PRICE	OPT. NO.	LIST PRICE	OPT. NO.
1		MECHANICAL SEAL BP <sub>66</sub> 1O <sub>10</sub> 1 BUNA-N/CARBON/CERAMIC ( 225 DEG.F MAX.)	753	John Crane	-	STD	-	STD	-	STD	-	STD	-	-
		MECHANICAL SEAL XP <sub>66</sub> 1O <sub>10</sub> 1 VITON/CARBON/CERAMIC (CHEMICAL SERVICE) (HOT WATER 250 DEG.F MAX.)	764	John Crane	17	*1K	17	*1L	17	*1M	381	*1Q	-	-
		MECHANICAL SEAL O <sub>28</sub> P <sub>66</sub> 1D1 EPR/CARBON/TUNGSTEN CARBIDE (HIGH TEMP, BOILER FEED SERVICE) (HOT WATER 275 DEG.F MAX.)	769	John Crane	349	*1B	447	*1C	447	*1D	656	*1P	-	-
					<b>3801 MOTOR FRAME</b>									
					143JM-184JM		213JM-215JM		254JM-256JM		284JM-326JM		364 - 445	
1		MECHANICAL SEAL BP <sub>66</sub> 1O <sub>10</sub> 1 BUNA-N/CARBON/CERAMIC ( 225 DEG.F MAX.)	753	John Crane	-	STD	-	STD	-	STD	-	STD	-	STD
		MECHANICAL SEAL XP <sub>66</sub> 1O <sub>10</sub> 1 VITON/CARBON/CERAMIC (CHEMICAL SERVICE) (HOT WATER 250 DEG.F MAX.)	764	John Crane	17	*1J	17	*1K	17	*1L	17	*1M	381	*1Q
		MECHANICAL SEAL O <sub>28</sub> P <sub>66</sub> 1D1 EPR/CARBON/TUNGSTEN CARBIDE (HIGH TEMP, BOILER FEED SERVICE) (HOT WATER 275 DEG.F MAX.)	769	John Crane	349	*1A	349	*1B	447	*1C	447	*1D	656	*1P

OPT. NO.	DESCRIPTION	PF # 1		PF # 2		PF # 3	
		LIST PRICE	OPT. NO.	LIST PRICE	OPT. NO.	LIST PRICE	OPT. NO.
2	OIL LUBE BEARINGS (3804 ONLY)	\$125	2A	\$125	2E	\$125	2G

**NOTES:**

- 1. LEFT HAND ROTATION NOT AVAILABLE
- \* NON STOCK OPTION, REFER TO FACTORY FOR EXTENDED LEADTIME.

LIST PRICE SHEET  
**3800 SERIES**  
**OPTIONAL FEATURES**

This page is still under review. Please refer to Encompass for most up to date information.

**TABLE 7 (CONT.)**

OPT. NO.	DESCRIPTION	PF # 1		PF # 2		PF # 3		PF # 21A	
		LIST PRICE	OPT. NO.	LIST PRICE	OPT. NO.	LIST PRICE	OPT. NO.	LIST PRICE	OPT. NO.
3	316 STAINLESS STEEL SHAFT	\$475	*3A	\$1,040	*3E	\$1,040	*3G	RTF	*3H

OPT. NO.	DESCRIPTION	OPT. NO.	Pump Suction Size								
			1.5	2	2.5	3	4	5	6	8	10
7	416 STAINLESS STEEL CASE WEAR RING	7SS	\$602	\$681	\$719	\$864	\$919	\$952	\$1,050	\$1,142	\$1,837

OPT. NO.	DESCRIPTION	LIST PRICE	OPT. NO.
15	DRIP PAN (3804 ONLY)	\$348	*15A

OPT. NO.	DESCRIPTION	POWER FRAME # 1		POWER FRAME # 2		POWER FRAME # 3		POWER FRAME # 21A		--	
		LIST PRICE	OPT. NO.	LIST PRICE	OPT. NO.	LIST PRICE	OPT. NO.	LIST PRICE	OPT. NO.	LIST PRICE	OPT. NO.
16	BRAIDED STAINLESS STEEL FLUSHING LINES	#N/A	16SS	#N/A	16SS	#N/A	16SS	#N/A	16SS	-	-

OPT. NO.	DESCRIPTION (3M SCOTCHKOTE 134-FUSION BONDED )	LIST PRICE	OPT. NO.
54	EPOXY COATED CASING (INTERNAL ONLY) & BRACKET	\$1,012	54N

**NOTES:**

1. LEFT HAND ROTATION NOT AVAILABLE
  2. CURRENT NSF 372 LISTING DOES NOT INCLUDE WEAR RINGS, PUMPS WITH THIS OPTION WILL NOT BE LABELED NSF272, BUT WILL STILL BE LOW LEAD COMPLIANT
- \* NON STOCK OPTION, REFER TO FACTORY FOR EXTENDED LEADTIME.

## **LIST PRICES**

SINGLE STAGE

END SUCTION  
LIQUID END PACKAGES

MODEL 3801  
LIQUID END PACKAGE

MODEL 3804  
LIQUID END PACKAGE

**\*\*3800 LIQUID END PACKAGES ARE NOT NSF 372 CERTIFIED\*\***

F.O.B. NO. AURORA, IL 60542  
PRICING SUBJECT TO CHANGE WITHOUT NOTICE



**AURORA®**



**LIST PRICE SHEET**  
**MODEL 3800**  
**LIQUID END PACKAGE**

<b>MATERIALS OF CONSTRUCTION</b>	
<b>PUMP COMPONENT</b>	<b>STAINLESS IMPELLER FITTED</b>
Casing	Ductile Iron ASTM A536
Impeller	316 Stainless Steel
Shaft	Steel AISI C1045
Sleeve	316 Stainless Steel
Power Frame (3804 Only)	Cast Iron ASTM A48
Bracket	Cast Iron ASTM A48

As an aid in stocking 3800 Series Package units for your warehouse stock, the factory has assigned package bill of material numbers to each. Several packages are required to build the various 3800 model pumps. We have aimed toward maximum interchangeability to keep your stock requirements to a minimum. There are five (5) types of packages

1. Liquid End Packages (Model 3801) - for use with JM close coupled motor. The package includes the casing and the impeller (full diameter unbalanced).
2. Liquid End Packages (Model 3804) - for use with power frame pedestal units. The package includes the casing and the impeller (full diameter unbalanced). The table shows three (3) columns for power frame assemblies. From the selection tables in the dimension pages, you determine which power frame is required and select the proper liquid end package from that column.
3. Bracket Packages (Models 3801 and 3804) - The packages include cast iron bracket, standard mechanical seal, stainless steel sleeve and required hardware for standard construction. These packages must be sized by impeller diameter in the pump model and motor frame size or power frame size.
4. Power Frame Assembly Packages (Model 3804) - This assembly includes the complete assembled power frame with shaft and bearings.
5. Foot Support Packages (Model 3804) - Mounting feet are required on all 3804 pumps. The package includes the feet and required hardware.

**ASSEMBLY**

1. 3801 Pump - consists of a 3801 Liquid End Package, a 3801 Bracket Package and a JM close coupled motor.
2. 3804 Pump - consists of a 3804 Liquid End Package, a 3804 Bracket Package and a 3804 Power Frame Package (with a support foot package).

**LIST PRICE SHEET**  
**3801 SERIES LIQUID END KITS**  
**CLOSE COUPLED MOTOR FRAMES**

**TABLE 1**

HP Rating	3600/3000 RPM		1800/1500 RPM		1200 RPM	
	ODP Frame	TEFC Frame	ODP Frame	TEFC Frame	ODP Frame	TEFC Frame
1			143JM	143JM	145JM	145JM
1.5	143JM	143JM	145JM	145JM	182JM	182JM
2	145JM	145JM	145JM	145JM	184JM	184JM
3	145JM	182JM	182JM	182JM	213JM	213JM
5	182JM	184JM	184JM	184JM	215JM	215JM
7.5	184JM	213JM	213JM	213JM	254JM	254JM
10	213JM	215JM	215JM	215JM	256JM	256JM
15	215JM	254JM	254JM	254JM	284JM	284JM
20	254JM	256JM	256JM	256JM	286JM	286JM
25	256JM	284JM	284JM	284JM	324JM	324JM
30	284JM	286JM	286JM	286JM	326JM	326JM
40	286JM	324JM	324JM	324JM	364JM/TCZ*	364JM/TCZ*
50	324JM	326JM	326JM	326JM	364JM/TCZ*	364JM/TCZ*
60	326JM	364JM/TCZ*	364JM/TCZ*	364JM/TCZ*	364TCZ	364TCZ
75	364JM/TCZ*	364JM/TCZ*	364JM/TCZ*	364JM/TCZ*	364TCZ	364TCZ
100	364JM/TCZ*	405JM/TCZ*	404JM/TCZ*	405JM/TCZ*	444TCZ	444TCZ
125	404TCZ	444TCZ	405TCZ	444TCZ	-	-
150	405TCZ	445TCZ	444TCZ	-	-	-
200	444TCZ	-	-	-		
250	-	-	-			
300	-					
15	-	-	-	-	284JP	284JP
20	-	-	-	-	286JP	286JP
25	-	-	-	-	324JP	324JP
30	-	-	-	-	326JP	326JP
40	-	-	-	-	364JP/TCZ**	364JP/TCZ**
50	-	-	326JP	326JP	365JP/TCZ**	365JP/TCZ**
60	-	-	364JP/TCZ**	364JP/TCZ**	404JP/TCZ**	404JP/TCZ**
75	-	-	365JP/TCZ**	365JP/TCZ**	405JP/TCZ**	405JP/TCZ**
100	-	-	404JP/TCZ**	405JP/TCZ**	-	-
125	-	-	RTF	RTF	-	-
150	-	-	RTF	RTF	-	-

JP Sizes specific to models 6x8x13.5 & 8x10x13.5

- \* - Several Motor Manufacturers offer a close coupled JM motor that uses a 326JM interface for motors up to 100 HP  
 The motors may be called JM or TCZ. Bearing Calculations have been performed to verify pump still meet a 25k minimum bearing life
- \*\* - Several Motor Manufacturers offer a close coupled JP motor that uses a 326JP interface for motors up to 100 HP  
 The motors may be called JP or TCZ. Bearing Calculations have been performed to verify pump still meet a 25k

LIST PRICE SHEET  
 MODEL 3801 & 3804  
 LIQUID END PACKAGES

TABLE 1

**3801 & 3804 LIQUID END PACKAGES**  
 PACKAGE INCLUDES CASING AND IMPELLER (FULL DIAMETER UNBALANCED)

3801										
PUMP SIZE	143-184 JM	213-215 JM	List Price	254-256 JM	284-326 JM	List Price	364-405 TCZ	444-449 TCZ	List Price	LBS.
	PACKAGE NUMBER	PACKAGE NUMBER		PACKAGE NUMBER	PACKAGE NUMBER		PACKAGE NUMBER	PACKAGE NUMBER		
1.25x1.5x7	A54011	A54011	\$ 713	-	-	-	-	-	-	31
1.5x2x7	A54021	A54021	746	-	-	-	-	-	-	36
2x2.5x7A	A61471	A61471	-	A61481	A61481	-	-	-	-	54
2.5x3x7	A55481	A55481	965	A56841	A56841	\$ 969	-	-	-	71
3x4x7A	A61511	A61511	-	A61521	A61521	-	-	-	-	83
4x5x7 <sup>5**</sup>	A54181	A54181	1,455	A55251	A55251	1,465	-	-	-	117
5x6x7 <sup>4**</sup>	A55561	A55561	1,975	A55581	A55581	1,985	-	-	-	162
1.25x1.5x9.5 5	A61291	A61291	-	A61301	A61301	-	-	-	-	-
1.5x2x9.5 5	A61311	A61311	-	A61321	A61321	-	-	-	-	-
2x2.5x9.5 5	A54051	A54051	1,290	A55131	A55131	1,300	-	-	-	69
2.5x3x9.5 5	A54161	A54161	1,572	A55231	A55231	1,577	-	-	-	88
3x4x9.5 5	A54071	A54071	1,725	A55151	A55151	1,734	-	-	-	93
4x5x9.5 5	A54201	A54201	1,955	A55271	A55271	1,964	-	-	-	136
5x6x9.5A	A61371	A61371	-	A61381	A61381	-	-	-	-	214
6x8x9.5**	-	-	-	A55411	A55411	2,809	-	-	-	297
1.5x2x11	A54151	A54151	1,385	A56431	A56431	1,392	-	-	-	74
2x3x11 5	A55311	A55311	1,449	A55331	A55331	1,454	-	-	-	112
3x4x11 5	A54091	A54091	2,063	A55171	A55171	2,073	-	-	-	159
4x5x11A	A61251	A61251	-	A61261	A61261	-	-	-	-	178
5x6x11	A56661	A56661	2,772	A55391	A55391	2,692	-	-	-	214
6x8x11A	-	-	-	A61281	A61281	-	-	-	-	305
1.5x2x12	A55451	A55451	1,750	-	-	-	-	-	-	89
2x3x13.5	-	-	-	A55461	A55461	2,561	-	-	-	145
2.5x3x13.5	-	A56581	-	A55501	A55501	2,669	-	-	-	165
3x4x13.5	-	-	-	A55351	A55351	2,810	-	-	-	162
4x5x13.5 5	-	-	-	A55371	A55371	3,253	-	-	-	184
5x6x13.5 5	-	-	-	A54221	A54221	3,604	-	-	-	309
				<b>254-256 JP</b>	<b>284-326 JP</b>		<b>364-405 TCZ</b>	<b>444-449 TCZ</b>		
6x8x13.5 5	-	-	-	A56681	A56681	4,746	-	-	-	386
8x10x13.5 5	-	-	-	A56691	A56691	5,830	-	-	-	458

3804							
PUMP SIZE	POWER FRAME 1		POWER FRAME 2/3 <sup>(3)</sup>		POWER FRAME 21A		WT LBS.
	PACKAGE NUMBER	List Price	PACKAGE NUMBER	List Price	PACKAGE NUMBER	List Price	
1.25x1.5x7	A54011	\$ 713	-	-	-	-	31
1.5x2x7	A54021	746	-	-	-	-	36
2x2.5x7A	A61471	-	-	-	-	-	54
2.5x3x7	A55481	965	-	-	-	-	71
3x4x7A	A61511	-	A61521	-	-	-	83
4x5x7**	A54181	1,455	A55251	1,465	-	-	117
5x6x7**	A55561	1,975	A55581	1,985	-	-	162
1.25x1.5x9.5	A61291	-	A61301	-	-	-	-
1.5x2x9.5	A61311	-	A61321	-	-	-	-
2x2.5x9.5	A54051	1,290	A55131	1,300	-	-	69
2.5x3x9.5	A54161	1,572	A55231	1,577	-	-	88
3x4x9.5	A54071	1,725	A55151	1,734	-	-	93
4x5x9.5	A54201	1,955	A55271	1,964	-	-	136
5x6x9.5	A54131	2,269	A55211	2,277	-	-	214
6x8x9.5**	-	-	A55411	2,809	-	-	297
1.5x2x11	A54151	1,385	A56431	1,392	-	-	74
2x3x11	A55311	1,449	A55331	1,454	-	-	112
3x4x11	A54091	2,063	A55171	2,073	-	-	159
4x5x11A	A61251	-	A61261	-	A61271	-	178
5x6x11	-	-	A55391	2,692	-	-	214
6x8x11A	-	-	A61281	-	-	-	305
1.5x2x12	A55451	1,750	-	-	-	-	89
2x3x13.5	-	-	A55461	2,561	-	-	145
2.5x3x13.5	-	-	A55501	2,669	-	-	165
3x4x13.5	-	-	A55351	2,810	-	-	162
4x5x13.5	-	-	A55371	3,253	A56461	3,249	184
5x6x13.5	-	-	A54221	3,604	-	-	309
6x8x13.5	-	-	-	-	A54241	4,682	386
8x10x13.5	-	-	-	-	A55601	5,600	458

\*Full Diameter Unbalanced

\*\* Temporarily unavailable until further notice

1. Close Coupled motors must meet NEMA JM/JP specifications.

2. N/A not available

3. Power Frames 2 and 3 use the same Liquid End Kits.

4. 5x6x7 Close Coupled pumps require custom motors above 326JM frames

5. Close Coupled pumps with 364JM to 405JM frames will use the 284-326JM and 364JP to 405JP frames will use the 284-326JP Liquid end kits per page 3 guidelines.

Consult Application Engineering with questions.

LIST PRICE SHEET  
 MODEL 3801 & 3804  
 PACKAGES

**TABLE 3**

**MODEL 3801 BRACKET PACKAGES**

PACKAGE INCLUDES CAST IRON BRACKET, CAST IRON SEAL PLATE, STAINLESS STEEL SHAFT SLEEVE, STANDARD MECHANICAL SEAL AND OTHER ITEMS AS REQUIRED.

JM Motor Frame	7" Pumps			9.5" Pumps			6x8x9.5			11" Pumps		
	Package Number	List Price	Weight	Package Number	List Price	Weight	Package Number	List Price	Weight	Package Number	List Price	Weight
143-184 JM	E12931	\$ 119	24	E12961	\$ 160	33	-	-	-	E13001	\$ 211	46
213-215 JM	E14261	129	25	E14271	170	34	-	-	-	E14281	222	47
254-256 JM	E13281	147	28	E13051	191	39	E13531	153	32	E13011	211	46
284-326 JM <sup>b)</sup>	E14301	170	31	E14311	215	42	E14411	181	36	E14321	237	50
364-405 TCZ <sup>b)</sup>	-	-	-	-	-	-	-	-	-	-	-	-
444-449 TCZ	-	-	-	-	-	-	-	-	-	-	-	-

JM Motor Frame	1.5x2x11			12" Pumps			13.5" Pumps			6x8x13.5/8x10x13.5		
	Package Number	List Price	Weight	Package Number	List Price	Weight	Package Number	List Price	Weight	Package Number	List Price	Weight
143-184 JM	E13241	\$ 184	45	E13551	\$ 198	51	-	-	-	-	-	-
213-215 JM	E14381	194	46	E14401	208	52	E14291	293	65	-	-	-
254-256 JM	E14161	181	43	-	-	-	E13291	260	62	-	-	-
284-326 JM <sup>b)</sup>	E14391	205	46	-	-	-	E14331	286	66	-	-	-
254-256 JP	-	-	-	-	-	-	-	-	-	E14431	446	85
284-326 JP <sup>b)</sup>	-	-	-	-	-	-	-	-	-	E14461	470	89
364-405 TCZ <sup>b)</sup>	-	-	-	-	-	-	-	-	-	-	-	-
444-449 TCZ	-	-	-	-	-	-	-	-	-	-	-	-

**TABLE 3A**

**MODEL 3804 BRACKET PACKAGES**

Power Frame	7" Pumps			9.5" Pumps			6x8x9.5			11" Pumps		
	Package Number	List Price	Weight	Package Number	List Price	Weight	Package Number	List Price	Weight	Package Number	List Price	Weight
1	E12931	\$ 119	24	E12961	\$ 160	33	-	-	-	E13001	\$ 211	46
2	E13281	147	28	E13051	191	39	E13531	153	32	E13011	211	46
3	E13281	147	28	E13051	191	39	E13531	153	32	E13011	211	46
21A	-	-	-	-	-	-	-	-	-	E14181	439	60

Power Frame	1.5x2x11			12" Pumps			13.5" Pumps			6x8x13.5/8x10x13.5		
	Package Number	List Price	Weight	Package Number	List Price	Weight	Package Number	List Price	Weight	Package Number	List Price	Weight
1	E13241	\$ 184	45	E13551	\$ 198	51	-	-	-	-	-	-
2	E14161	181	43	-	-	-	E13291	260	62	-	-	-
3	E14161	181	43	-	-	-	E13291	260	62	-	-	-
21A	-	-	-	-	-	-	E13301	531	90	E13311	518	90

**TABLE 4**

**MODEL 3804**

PACKAGE INCLUDES CAST IRON BEARING FRAME ASSEMBLED WITH TWO GREASE LUBRICATED BALL BEARINGS, BEARING CAP AND STEEL SHAFT. (STAINLESS STEEL SHAFT NOT AVAILABLE.) FOOT PACKAGES REQUIRED SHOWN ON PAGE 6.

POWER FRAME	All Pumps	List Price	Weight
1	E06261	\$504	32
2	E06271	790	66
3	E06281	809	80
21A	E06291	1978	165

Note:

- a) These packages are for stainless impeller fitted construction.
- b) Close Coupled pumps with 364JM to 405JM frames will use the 284-326JM and 364JP to 405JP frames will use the 284-326JP Liquid end kits per page 3 guidelines. Consult Application Engineering with questions. The Exception is the 5x6x7 pump.

LIST PRICE SHEET  
 MODEL 3804  
 PACKAGES

**TABLE 5** **MODEL 3804**  
**FOOT SUPPORT PACKAGES**  
 THE PACKAGE INCLUDES THE FEET AND REQUIRED HARDWARE.

PUMP SIZE	POWER FRAME 1			POWER FRAME 2/3			POWER FRAME 21A		
	PACKAG E NUMBER	List Price	WGT	PACKAG E NUMBER	List Price	WGT	PACKAGE NUMBER	List Price	WGT
1.25x1.5x7	H03371	\$ 24	2	-	-	-	-	-	-
1.5x2x7	H03371	24	2	-	-	-	-	-	-
2x2.5x7A	H03371	24	2	-	-	-	-	-	-
2.5x3x7	H03371	24	2	-	-	-	-	-	-
3x4x7A	H03371	24	2	H03411	\$ 27	2	-	-	-
4x5x7	H03381	30	2.5	H03521	27	2.5	-	-	-
5x6x7	H03391	40	3	H03431	37	2.5	-	-	-
1.25x1.5x9.5	H03371	24	2	H03411	27	2	-	-	-
1.5x2x9.5	H03371	24	2	H03411	27	2	-	-	-
2x2.5x9.5	H03381	30	2.5	H03521	27	2.5	-	-	-
2.5x3x9.5	H03381	30	2.5	H03521	27	2.5	-	-	-
3x4x9.5	H03381	30	2.5	H03521	27	2.5	-	-	-
4x5x9.5	H03391	40	3	H03431	37	2.5	-	-	-
5x6x9.5A	H03401	46	3	H03441	43	3	-	-	-
6x8x9.5	-	-	-	H03441	43	3	-	-	-
1.5x2x11	H03381	30	2.5	H03521	27	2.5	-	-	-
2x3x11	H03391	40	3	H03431	37	2.5	-	-	-
3x4x11	H03391	40	3	H03431	37	2.5	-	-	-
4x5x11A	H03391	40	3	H03431	37	2.5	H03461	\$ 112	6.5
5x6x11	-	-	-	H03441	43	3	-	-	-
6x8x11A	-	-	-	H03451	48	3	-	-	-
1.5x2x12	H03391	40	3	-	-	-	-	-	-
2x3x13.5	-	-	-	H03431	37	2.5	-	-	-
2.5x3x13.5	-	-	-	H03431	37	2.5	-	-	-
3x4x13.5	-	-	-	H03431	37	2.5	-	-	-
4x5x13.5	-	-	-	H03441	43	3	H03471	112	7
5x6x13.5	-	-	-	H03451	48	3	-	-	-
6x8x13.5	-	-	-	-	-	-	H03491	110	7.5
8x10x13.5	-	-	-	-	-	-	H03501	123	9