



PUMPS & SYSTEMS

Weinman

Control Panels - Section 1900

January 1, 2020

CONFIDENTIAL PRICE LIST

**Prices Subject to Change Without Notice.
All prices in U.S. Dollars, F.O.B. Piqua, Ohio.**

**All Terms & Conditions are subject to Crane Pumps & Systems Terms & Conditions.
Please visit www.cranepumps.com for comprehensive details of our Terms & Conditions.**

**IMPORTANT NOTE: Please consult the catalog for important warnings, specifications
and other vital information for the product(s) in which you are interested.**

Weinman - Control Panels

DATE	Page(s)	Change / Correction
12/01/16	All	Price increase
12/01/17	All	Price increase
01/16/18	3	Formatting corrected
07/23/18	All	Price increase
01/01/19	All	Price increase
01/01/20	All	Price increase

Weinman - Control Panels

CONFIDENTIAL

*All prices in U.S. dollars, F.O.B. Piqua, Ohio.
Prices subject to change without notice.*

SECTION	DESCRIPTION	PAGE
Weinman	Simplex	4
Weinman	Simplex Options	5
Weinman	Duplex	6
Weinman	Duplex Options	7
Weinman	Float Switches - Alternators	8

CONFIDENTIAL

All prices in U.S. dollars, F.O.B. Piqua, Ohio.
Prices subject to change without notice.

HP	SIZE I.D. Code No.						Type F List Price (Fusible Disconnect)						Type C List Price (Main Circuit Breaker)						Type U List Price ₁ (Non-fusible Disconnect)					
	Ratings: <i>Italic: HP Rated</i> Bold: NEMA																							
	1 Ph Motors		3 Ph Motors				1 Ph Motors		3 Ph Motors				1 Ph Motors		3 Ph Motors				1 Ph Motors		3 Ph Motors			
	115v	220v	208v	240v	380v	480v	115v	220v	208v	240v	380v	480v	115v	220v	208v	240v	380v	480v	208v	240v	380v	480v		
1/4	Q1	QB	QG	Q2	<i>Q3</i>	Q4	\$1,615	\$1,651	\$1,870	\$1,870	\$1,948	\$1,930			\$2,146	\$2,146	\$2,417	\$2,454	\$1,886	\$1,886	\$1,892	\$1,955		
1/3	T1	TB	TG	T2	<i>T3</i>	T4	\$1,615	\$1,651	\$1,865	\$1,870	\$1,948	\$1,930			\$2,146	\$2,146	\$2,417	\$2,454	\$1,886	\$1,886	\$1,892	\$1,955		
1/2	AL	AB	AG	A2	<i>A3</i>	A4	\$1,615	\$1,651	\$1,870	\$1,870	\$1,948	\$1,930			\$2,146	\$2,146	\$2,417	\$2,454	\$1,886	\$1,886	\$1,892	\$1,955		
3/4	B1	BB	BG	B2	<i>QB</i>	B4	\$1,704	\$1,651	\$1,870	\$1,870	\$1,948	\$1,930			\$2,146	\$2,146	\$2,417	\$2,454	\$1,886	\$1,886	\$1,892	\$1,955		
1	C1	CB	CG	C2	<i>C3</i>	C4	\$1,704	\$1,651	\$1,870	\$1,870	\$1,948	\$1,930			\$2,146	\$2,146	\$2,417	\$2,454	\$1,886	\$1,886	\$1,892	\$1,955		
1 1/2	D1	DB	DG	D2	<i>D3</i>	D4	\$1,735	\$1,735	\$1,870	\$1,870	\$1,948	\$1,930			\$2,146	\$2,146	\$2,417	\$2,454	\$1,886	\$1,886	\$1,892	\$1,955		
2	E1	EB	EG	E2	<i>E3</i>	E4	\$1,855	\$1,743	\$1,870	\$1,870	\$1,948	\$1,930			\$2,146	\$2,146	\$2,417	\$2,454	\$1,886	\$1,959	\$1,892	\$1,955		
3	F1	FB	FG	F2	<i>F3</i>	F4	\$1,870	\$1,874	\$1,959	\$1,959	\$2,050	\$1,930			\$2,239	\$2,239	\$2,511	\$2,454	\$1,959	\$1,901	\$1,892	\$1,955		
5	G1	GB	GG	G2	<i>G3</i>	G4			\$1,901	\$1,901	\$1,982	\$1,873			\$2,172	\$2,172	\$2,433	\$2,384	\$1,901	\$2,022	\$1,948	\$2,053		
7 1/2		HB	HG	H2	<i>H3</i>	H4			\$1,980	\$1,980	\$2,111	\$2,022			\$2,481	\$2,522	\$2,511	\$2,545	\$2,022	\$2,154	\$2,094	\$2,053		
10			JG	J2	<i>J3</i>	J4			\$2,266	\$2,154	\$2,178	\$2,051			\$2,481	\$2,522	\$2,574	\$2,545	\$2,266	\$2,499	\$2,114	\$2,071		
15			KG	K2	<i>K3</i>	K4			\$2,947	\$2,728	\$2,647	\$2,096			\$3,011	\$2,880	\$2,689	\$2,779	\$2,947	\$3,301	\$2,338	\$2,285		
20			LG	L2	<i>L3</i>	L4			\$4,045	\$3,531	\$3,103	\$2,663			\$3,886	\$3,843	\$3,292	\$2,779	\$3,812	\$3,301	\$3,145	\$2,655		
25			MG	M2	<i>M3</i>	M4			\$4,400	\$3,812	\$3,334	\$3,012			\$3,886	\$4,268	\$3,545	\$3,292	\$4,306	\$3,301	\$3,145	\$2,948		
30			NG	N2	<i>N3</i>	N4			\$5,779	\$5,019	\$3,635	\$3,012			\$6,045	\$4,268	\$3,630	\$3,545	\$5,553	\$4,791	\$3,301	\$2,948		
40			PG	P2	<i>P3</i>	P4																		
50			RG	R2	<i>R3</i>	R4																		
60			SG	S2	<i>S3</i>	S4																		

Note 2 (All sizes enclosed by black Line)

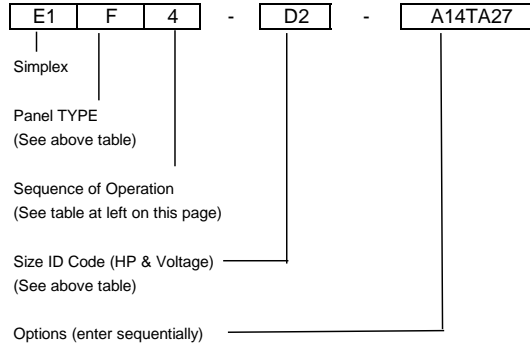
Horsepower rating based on standard motors - some submersible motors may have higher than standard amp. draw. Check with factory.

SEQ NO	SEQUENCE OF OPERATION	PRICE
1	For pumps controlled by any remote pump On-Off device (contact)	0
4	For pump operation using On & Off submersible float switches	\$39
5	Same as above (Seq. 04) except for Intrinsically-safe float operation	\$2,407
8	For Jockey Pumps; ind. Fixed-differential pressure switch & timer	\$827
14	For Sump-Sewage pumps w/electrodes; fittings priced separately	\$1,294

- NOTES:**
- Not Available with UL Listing
 - Flange-mtd. Disc. Handle (instead of Thru-door) is standard

Panel in above example incl: Main Fusible Disconnect, 1.5HP/ 240v 3 Ph, for use with submersible floats; inc. Optional high level light (Oiltight) with alarm horn & silence PB.

EXPLANATION OF MODEL NUMBERING:



STD Equipment	
(1)	NEMA 1 Enclosure
(1)	Magnetic Starter
(2)	Ambient-compen. Adj. OL relay
(1)	HOA sw.-NEMA 1
(1)	Control Transformer
(1)	Numbered terminal strip
(1)	Custom wiring & field connection dwg.
PLUS...	
	Main disconnect ro
	Circuit Breaker as indicated by TYPE

CONFIDENTIAL

All prices in U.S. dollars, F.O.B. Piqua, Ohio.
Prices subject to change without notice.

ALL PRICES ARE LIST

Simplex Control Panel Options

Option Number	General Panel-mounted Optional Equipment	Encl. Is NEMA:		Option Number	Options Commonly found in Submersible Pump Panels	Encl. Is NEMA:	
		1	12,3R,4			1	12,3R,4
A1	Pump RUN lights	\$102	\$200	D9	Seal Leak light w/Test PBs (Reliance motor)	\$841	\$841
A6	Overload trip lights	\$109	\$245	D10	Terminals to connect motor overtemp switch	\$23	\$0
A8	Power ON light	\$191	\$245	D12	Overtemp alarm light (auto reset)	\$270	\$347
A14	High Level alarm light	\$180	\$245	D14	Overtemp light (Reset: motor/auto; light/manual)	\$413	\$510
A19	Low Level alarm light; incl. Aux. Relay	\$398	\$478	E33	Aux (Pump OL trip_ contacts for use w/remote Model A13-05 type alarm panel)	\$180	\$180
A22	Misc alarm light (specify) incl aux relay	\$398	\$478				
A27	Alarm Horn w/Silence PB	\$621	\$644	Option Number	Options Commonly found in Submersible Pump Panels	Alarm light: NEMA:	
A29	Alarm Horn w/Silence4-Test sw	\$811	\$820			1	Oil tight
C1T	Oil tight HOA selectors (NEMA 1 HOAs are included in basic panel no extra charge)	\$0	\$102	H1	Phase monitor/motor shutdown relay	\$1,310	\$1,407
C2	Test-Off-Auto selector	\$27	\$105	H2	Lightning arrester	\$555	\$621
C4	Misc or TEST PB (specify)	\$148	\$169	H3	Surge Capacitor	\$555	\$621
B1	Hour meter 0-99999.0 non-resettable	\$314	\$0	J1	Disch. Fail alarm; incl timer, light, reset PB	\$776	\$756
E1	High Level aux relay (5A 115VAC dry circuit)	\$225	\$0	J2	OFF float (submersible) anti-chatter timer	\$398	\$0
E2	Power Loss aux relay (5A 115VAC dry circuit)	\$225	\$0	J4	Terminals to connect Redundant OFF float	\$41	\$0
E4	MISC aux relay (10A 115 VAC dry ckt)	\$369	\$0	J23	24V Float switch circuitry (Sequence 3 or 4)	\$290	\$0
F5	NEMA 12 Enclosure (See Note 1)	\$0	\$398	Option Number	Separately Mounted Controller Accessories (not included in Controller Part No. - Order sep)		List Price
F6	NEMA 3R Enclosure (See Note 1)	\$0	\$503	FS-3K	Set of 3 suspension-type submersible floats w/bracket		\$651
F7	NEMA 4 Enclosure (See Note 1)	\$0	\$635	FP-3K	Set of 3 pipe-mtd submersible floats w/pipe support bkt		\$695
F8	NEMA 4X Enclosure (See Note 1)	\$0	\$0	R11-31	Remote electrode sensing panel (1-compartment tank type)		\$2,879
F9	Add "dead-front" inner door (See Note 1)	\$445	\$0	ES-5K	Set of six (6) suspension-type electrode probe, holder & wire		\$1,407
L1	Add UL Panel Label (UL 508-Listing & Follow-up service)	\$200	\$200	A11-01	Single point High level alarm remote panel w/horn & light		\$882
				A13-05	Failsafe (3-point) remote alarm annunciator panel; must be ordered with Controller; controller must also include options E1 & E2)		\$1,941

Additional Adders	List Price
4X fiberglass panel	\$1,280
4X steel panel	\$753
4X, stainless steel panel	\$2,528

- Left column prices are for cover devices rated for NEMA 1 service. If cover-mtd. Devices are on an enclosure which is NEMA 12, 3R, 4 or 4X (or full size devices are desired for appearance) add suffix "T" to Option No. and use Right column pricing.
- Items which are marked "SAME" in the price column are identical regardless of enclosure NEMA Type (i.e. suffix "T" need not be added). For items which are marketed "SPEC" in the price column, consult factory for pricing.
- This Note is not applicable to Simplex E1 Panels.
- Commonly encountered options are **BOLD UNDERLINED** for easy reference.
- UL Listing of panel having a particular combination of options may not be available. Always Consult Factory for Availability. See Bulletin ED901-01A for details Options Specifications.

CONFIDENTIAL All prices in U.S. dollars, F.O.B. Piqua, Ohio. Prices subject to change without notice.

Duplex Control Panels

HP	SIZE I.D. Code No.				Type F List Price (Main Disconnects/Motor Fuses)								Type C List Price (Main Disconnects/Motor Circuit Breakers)								Type G List Price (Individual Fusible Disconnects)				Type D List Price (Individual Circuit Breakers)			
	Ratings: <i>Italic: HP Rated</i> Bold: NEMA		3 Ph Motors		1 Ph Motors		3 Ph Motors		1 Ph Motors		3 Ph Motors		1 Ph Motors		3 Ph Motors		3 Ph Motors		3 Ph Motors									
	115V	220V	208V	240V	380V	480V	115V	220V	208V	240V	380V	480V	115V	220V	208V	240V	380V	480V	208V	240V	380V	480V	208V	240V	380V	480V		
1/4	Q1	QB	QG	Q2	Q3	Q4	\$2,263	\$2,585	\$2,642	\$2,642	\$2,889	\$2,695	\$2,267	\$2,267	\$3,188	\$3,188	\$3,387	\$3,281	\$3,842	\$4,816	\$4,503	\$4,366	\$3,842	\$3,842	\$4,503	\$4,366		
1/3	T1	TB	TG	T2	T3	T4	\$2,263	\$2,585	\$2,642	\$2,642	\$2,889	\$2,695	\$2,267	\$2,853	\$3,188	\$3,188	\$3,387	\$3,281	\$3,842	\$4,816	\$4,503	\$4,366	\$3,842	\$3,842	\$4,503	\$4,366		
1/2	AL	AB	AG	A2	A3	A4	\$2,263	\$2,585	\$2,642	\$2,642	\$2,889	\$2,695	\$2,267	\$2,853	\$3,188	\$3,188	\$3,387	\$3,281	\$3,842	\$4,816	\$4,503	\$4,366	\$3,842	\$3,842	\$4,503	\$4,366		
3/4	B1	BB	BG	B2	QB	B4	\$2,490	\$2,585	\$2,642	\$2,642	\$2,889	\$2,695	\$2,702	\$2,853	\$3,188	\$3,188	\$3,387	\$3,281	\$3,842	\$4,816	\$4,503	\$4,366	\$3,842	\$3,842	\$4,503	\$4,366		
1	C1	CB	CG	C2	C3	C4	\$2,490	\$2,585	\$2,642	\$2,642	\$2,889	\$2,695	\$2,702	\$2,853	\$3,248	\$3,248	\$3,387	\$3,281	\$3,842	\$4,816	\$4,503	\$4,366	\$3,842	\$3,842	\$4,503	\$4,366		
1.5	D1	DB	DG	D2	D3	D4	\$2,555	\$2,847	\$2,642	\$2,642	\$2,889	\$2,695	\$2,780	\$3,132	\$3,248	\$3,248	\$3,387	\$3,281	\$3,842	\$4,816	\$4,503	\$4,366	\$3,842	\$3,842	\$4,503	\$4,366		
2	E1	EB	EG	E2	E3	E4	\$2,933	\$2,913	\$2,642	\$2,642	\$2,889	\$2,695	\$3,140	\$3,203	\$3,248	\$3,248	\$3,447	\$3,281	\$3,842	\$4,816	\$4,503	\$4,366	\$3,842	\$3,842	\$4,503	\$4,366		
3	F1	FB	FG	F2	F3	F4	\$2,980	\$3,213	\$2,663	\$2,663	\$2,916	\$2,819	\$3,190	\$3,523	\$3,775	\$3,248	\$3,502	\$3,334	\$3,842	\$4,816	\$4,503	\$4,366	\$3,842	\$3,842	\$4,503	\$4,366		
5	G1	GB	GG	G2	G3	G4			\$2,986	\$2,986	\$3,226	\$2,932			\$3,900	\$3,900	\$3,779	\$3,453	\$3,842	\$4,978	\$4,653	\$4,366	\$3,842	\$3,842	\$4,503	\$4,366		
7.5		HB	HG	H2	H3	H4			\$3,324	\$3,062	\$3,281	\$3,188			\$4,757	\$4,224	\$3,999	\$3,775	\$3,842	\$4,992	\$4,664	\$4,503	\$4,490	\$4,490	\$4,535	\$4,503		
10			JG	J2	J3	J4			\$3,835	\$3,449	\$3,435	\$3,243			\$4,915	\$5,257	\$3,984	\$3,892	\$4,028	\$5,026	\$4,698	\$4,503	\$3,983	\$3,983	\$4,560	\$4,503		
15			KG	K2	K3	K4			\$5,437	\$4,444	\$3,969	\$3,749			\$5,855	\$5,557	\$5,256	\$3,951	\$5,551	\$5,209	\$4,868	\$4,554	\$5,389	\$5,389	\$4,728	\$4,554		
20			LG	L2	L3	L4			\$8,387	\$7,715	\$5,181	\$5,033			\$4,954	\$9,892	\$6,830	\$5,152	\$7,646	\$6,001	\$5,607	\$4,929	\$7,413	\$7,413	\$5,441	\$4,929		
25			MG	M2	M3	M4			\$11,193	\$9,878	\$5,362	\$5,033			\$12,210	\$12,186	\$7,558	\$6,834	\$8,077	\$8,106	\$7,575	\$5,676	\$5,720	\$7,660	\$7,354	\$5,676		
30			NG	N2	N3	N4			\$13,470	\$11,765	\$9,420	\$5,517			\$17,212	\$12,812	\$8,787	\$7,881	\$11,254	\$8,106	\$7,575	\$6,250	\$8,442	\$8,442	\$7,354	\$6,250		
40			PG	P2	P3	P4			\$16,974	\$16,974	\$5,268	\$8,233			\$23,240	\$17,784	\$10,943	\$11,553	\$19,721	\$9,369	\$8,757	\$7,719	\$12,285	\$12,285	\$8,501	\$5,779		
50			RG	R2	R3	R4			\$22,520	\$18,768	\$16,257	\$10,721			\$30,030	\$29,442	\$15,329	\$12,963	\$23,798	\$10,450	\$9,768	\$9,112	\$23,751	\$24,281	\$9,484	\$9,112		
60			SG	S2	S3	S4			\$31,297	\$24,702	\$17,940	\$14,869					\$17,845	\$15,068				\$10,241			\$10,241			

Horsepower rating based on standard motors - some submersible motors may have higher than standard amp. draw. Check with pump supplier.

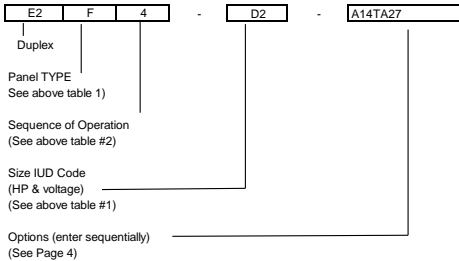
SEQ NO	SEQUENCE OF OPERATION	List Adder	SEQ NO	SEQUENCE OF OPERATION	List Adder
01	For pumps controlled by mechanical alternator	0	10	Booster pumps - PLC logic; incl Press sw's alarms, etc.	\$4,592
02	Lead-Lag operation w/manual alternator	\$217	11	Same as above (Seq 10) but adds Low Syst Press sw.	\$5,552
03	Lead-Lag/automatic alternator (Non-Submersible)	\$513	12	Same as above (Seq 11) but adds 3-step sequencing	\$5,882
04	Lead-Lag/automatic alternator (Submersible)	\$549	13	Condenser water pumps - PLC logic (changeover seq)	\$4,292
05	Same as Seq 4 but w/intrinsically safe float switch circuits	\$3,545	14	Sump/Sewage pumps w/electrodes; fittings not incl.	\$1,931
06	Condenser water pumps (Changeover sequence)	\$2,962	15	Submersible pumps - PLC logic (Consult Factory for Opts)	\$4,249
07	For Duplex Fuel Oil sets; Pump foil & automatic indexing	\$1,302	16	Bubbler System Level sensing - or Wet Well applications	\$0
08	Booster pumps w/manual alternator	\$789	18	Roof Fill Pumps - using mechanical floats	\$0
09	Booster pumps w/timeclock alternator	\$789	20	Roof Fill	\$951

Commonly used are **BOLD UNDERLINED**

- Add pressure switches, timers, etc. from Options price Page 4.
- Single (common) Elange-mtd. Disc. Handle (instead of thru-door) is standard.

Panel in above example includes: 1 Common Main disconnect, 2 sets motor fuses, 1.5HP/240V/3Ph, w/automatic alternator for use with submersible floats; incl. Operational High level light (Oil tight) with alarm horn & silence PB.

EXPLANATION OF MODEL NUMBERING:



STD EQUIPMENT:

- (2) NEMA 1 Enclosure
- (2) Magnetic Starter
- (4) Ambient-compen. Adj. OL relay
- (2) HOA sw.-NEMA 1
- (2) Control Transformer
- (2) Numbered terminal strip
- (2) Custom wiring & field connection dwg.

PLUS...

Main disconnect(s) or Circuit Breaker as indicated by TYPE

CONFIDENTIAL

All prices in U.S. dollars, F.O.B. Piqua, Ohio.

Prices subject to change without notice.

Option Number	General Panel-mounted Optional Equipment	Encl. Is NEMA:		Option Number	Options Commonly found in Submersible Pump Panels	Encl. Is NEMA:		
		1	12,3R,4			1	12,3R,4	
A1	Pump RUN lights	\$106	\$205	D9	Seal Leak light w/Test PBs (Reliance motor)	\$866	\$866	
A6	Overload trip lights	\$116	\$250	D10	Terminals to connect motor overtemp switch	\$23	\$0	
A8	Power ON light	\$193	\$250	D12	Overtemp alarm light (auto reset)	\$277	\$353	
A14	High Level alarm light	\$185	\$250	D14	Overtemp light (Reset: motor/auto; light/manual)	\$422	\$528	
A19	Low Level alarm light; incl. Aux. Relay	\$413	\$491	E33	Aux (Pump OL trip_ contacts for use w/remote Model A13-05 type alarm panel	\$185	\$185	
A22	Misc alarm light (specify) incl aux relay	\$413	\$491	Option Number Options Commonly found in Submersible Pump Panels		Alarm light:NEMA: 1		
A27	Alarm Horn w/Silence PB	\$641	\$666	H1	Phase monitor/motor shutdown relay	\$1,350	\$1,450	
A29	Alarm Horn w/Silence4-Test sw	\$833	\$851	H2	Lightning arrestor	\$573	\$641	
C1T	Oilight HOA selectors (NEMA 1 HOAs are incl in basic panel no extra charge	\$0	\$106	H3	Surge Capacitor	\$573	\$641	
C2	Test-Off-Auto selector	\$27	\$107	J1	Disch. Fail alarm; incl timer, light, reset PB	\$802	\$0	
C4	Misc or TEST PB (specify)	\$152	\$172	J2	OFF float (submersible) anti-chatter timer	\$413	\$0	
B1	Hourmeter 0-99999.0 non-resettable	\$324	\$0	J4	Terminals to connect Redundant OFF float	\$42	\$0	
E1	High Level aux relay (5A 115VAC dry ckt)	\$233	\$0	J23	24V Float switch circuitry (Sequence 3 or 4)	\$299	\$0	
E2	Power Loss aux relay (5A 115VAC dry ckt)	\$233	\$0	Separately Mounted Controller Accessories (not included in Controller Part No. - Order sep)				List Price
E4	MISC aux relay (10A 115 VAC dry ckt)	\$278	\$0	FS-4K	Set of 4 suspension-type submersible floats w/bracket	\$651		
F5	NEMA 12 Enclosure (See Note 1)	\$279	\$413	FP-4K	Set of 4 pipe-mtd submersible floats w/pipe support bkt	\$651		
F6	NEMA 3R Enclosure (See Note 1)	\$280	\$513	R11-41	Remote electrode sensing panel (1-compartment tank type)	\$2,879		
F7	NEMA 4 Enclosure (See Note 1)	\$281	\$651	ES-6K	Set of six (6) suspension-type electrode probe, holder & wire	\$1,407		
F8	NEMA 4X Enclosure (See Note 1)	\$282	\$0	A11-01	Single point High level alarm remote panel w/horn & light	\$882		
F9	Add "dead-front" inner door (See Note 1)	\$461	\$0	A13-05	Failsafe (3-point) remote alarm annunciator panel; must be ordered with Controller; controller must also include options E1 & E2)	\$1,941		
L1	Add UL Planel Lable (UL 508-Listing & Followup service)	\$205	\$205					

Add for:	
4X fiberglass panel	\$1,335
4X steel panel	\$784
4X, stainless steel panel	\$2,628

- Left column prices are for cover devices rated for NEMA 1 service. If cover-mtd. Devices are on an enclosure which is NEMA 12, 3R, 4 or 4X (or full size devices are desired for appearance) add suffix "T" to Option No. and use Right column pricing.
- Items which are marked "SAME" in the price column are identical regardless of enclosure NEMA Type (i.e. suffix "T" need not be added). For items which are marked "SPEC" in the price column, consult factory for pricing.
- This Note is not applicable to Simplex E1 Panels.
- Commonly encountered options are **BOLD UNDERLINED** for easy reference.
- UL Listing of panel having a particular combination of options may not be available. Always Consult Factory for Availability. See Bulletin ED901-01A for details Options Specifications.

CONFIDENTIAL

All prices in U.S. dollars, F.O.B. Piqua, Ohio.

Prices subject to change without notice.

Float Switches & Alternators	List Price		
	General Purpose	Water Tight	Explosion Proof
1. Float switch (above cover mounting - complete with float, float rod, stop collars, stand)	\$751	\$1,523	\$1,687
2. Float Switch (below cover mounting complete)	--	\$1,158	\$1,191
3. Alternator (above cover mounting complete)	\$1,571	\$1,617	\$1,715
4. Alternator(below cover mounting complete)	--	\$1,670	\$1,726
5. Electric alternator (includes 2 float switches - complete)	\$2,385	\$2,531	\$3,305