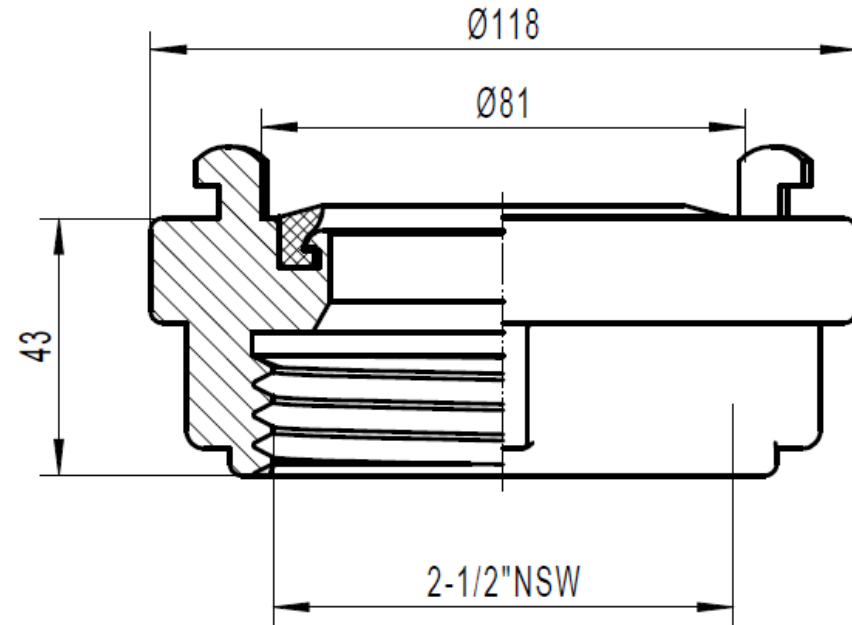
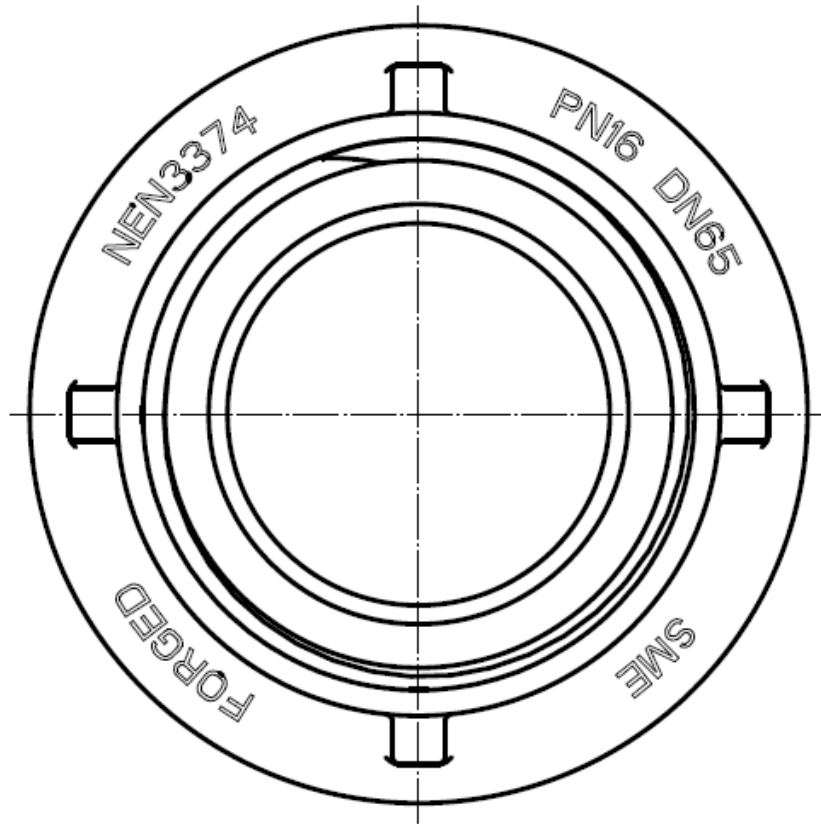



FORGED STORZ x NSWFB(f) ADAPTOR



AS2419		
Material	Pressure Rating	NBR Sealing Temperature Rating
Forged Aluminium - 6063 Rubber: Nitrile rubber (NBR)	PN16	-25°C - 100°C
 <small>SERVICE - COMPLIANCE - INTEGRITY</small>	STORZ x NSWFB(F) Adaptor	ADAP65STZ65FBF-F