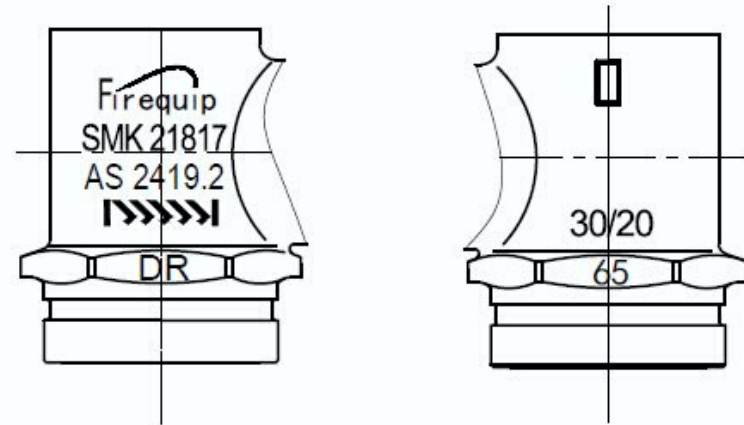
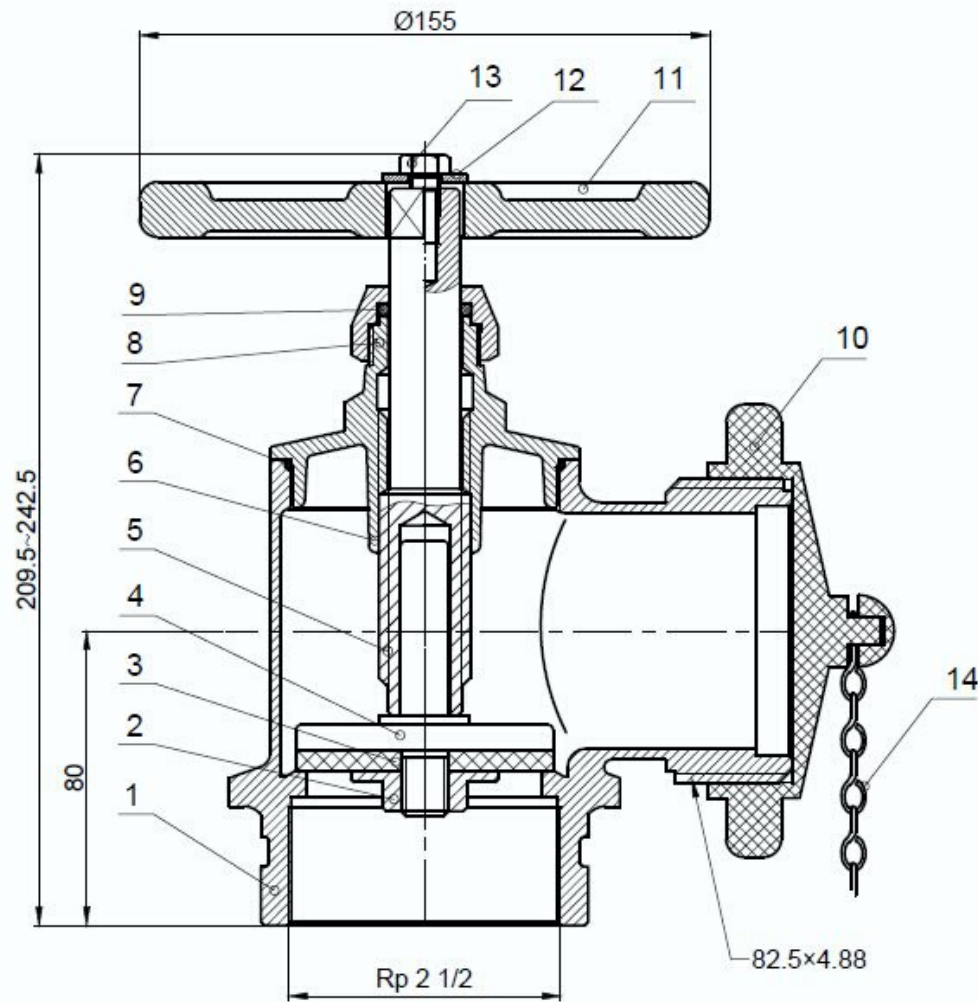


FIREQUIP HYDRANT LANDING VALVE



ITEM	DRAWING NUMBER	NAME	QTY	MATERIAL	REMARK
1	J280C9-fm1-01	Body	1	C83600	
2	J280-fm1-0	Nut	1	CuZn36Pb2As	
3	J280C-fm1-03	Washer	1	NBR (A80° ± 5°)	N3578.80.Ø70xØ12.9x5
4	J280C-fm1-04	Seat	1	CuZn36Pb2As	
5	J280C-fm1-05	Spindle	1	CuZn36Pb2As	
6	J280C-fm1-06	Cover	1	C83600	
7	O-72xL.8-NBR	O-Ring	1	NBR	Ø72 xØ1.8
8	O-18.5x355-NBR	O-Ring	1	NBR	Ø18.5 xØ3.55
9	J280A-fm1-07	Cover Nut	1	C37700	
10	J280-fm1-09	Wheel Handle	1	QT400-18	
11	DP-23x8.2.2x2-304	Washer	1	S 304	Ø23x8.2x2
12	LD-5/16x12.5-304	Hex Bolt (S14)	1	S 304	5/16x12.5
13	CV-221-05.03	Cap	1	ABS	Black
14	CV-221-05-04	Chain	1	Q235A	L36

Working Pressure: 1400kPa
 Test Pressure 2700kpa
 Temperature Rating -10°~85°



AS2419.2
 CERTIFICATE NUMBER SMK21817