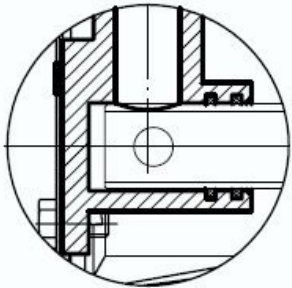


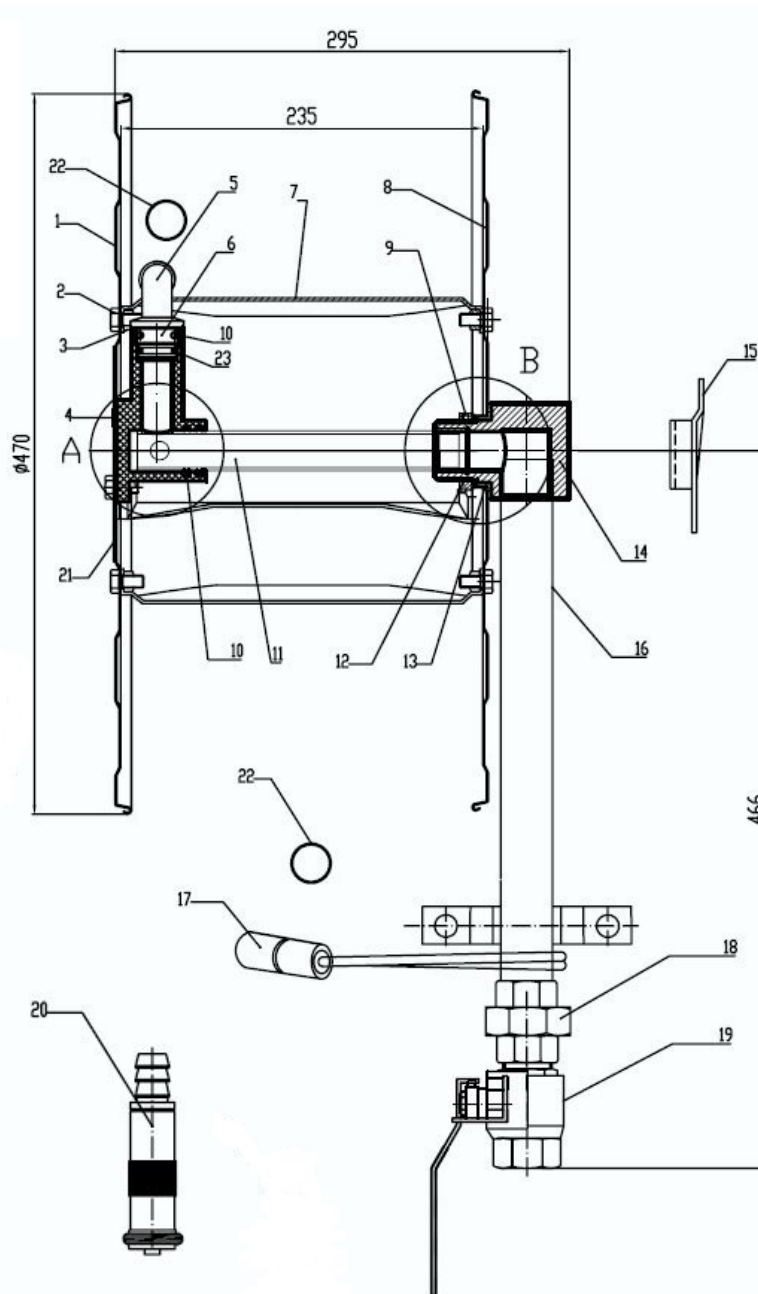
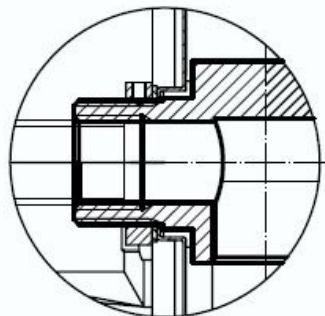
FIREQUIP HOSE REEL (36m)



2:1
A



2:1
B



ITEM	DESCRIPTION	MATERIAL	QTY
1	Bush Plate	C. Roll Steel	1
2	Bolt 5/16" x 5/8	Galv. Mild Steel	10
3	Nut Hex 5/16" x 5/8"	Galv. Mild Steel	10
4	Blind River 4.2	Galv. Mild Steel	4
5	Elbow Bush 3/4"	Nylon 6	1
6	"T" Bush	Nylon 6	1
7	Spacer 9" x 235mm x 2mm	Galv. Mild Steel	5
8	Bracket Plate	C. Roll Steel	1
9	Set Screw M6	Mild Steel	1
10	O Ring	Nitrile 70	3
11	Angle Pipe 1" x 210mm	SUS304	1
12	Collar	Mild Steel	1
13	Bush Black	PP Copolymer	1
14	Elbow Bracket	Allum. Alloy ADC12	1
15	Wall Bracket	Mild Steel	1
16	Inlet Pipe 1" x 350mm	Galv. B. Pipe	1
17	Hose Guide	Mild Steel	1
18	Union Coupling	G.1	1
19	Ball Valve Brass 25mm M&F	Brass	1
20	Nozzle J&S 20mm	Brass	1
21	Label PS White (AS Hose Reel)	ABS	1
22	Cup HR 3/4" Hydraulic	Aluminium	2
23	O Ring	Nitrile 70	1
24	Packing Size	510x315x490mm	1
Minimum discharge rate of .045 l/s @ 220 ± 1.0 kPa		BSI Benchmark Approval: 3992 AS2441 -2005	
FIREQUIP HOSE REEL FIXED ASSEMBY 3/4" X 36 Meter		Part # HR36F	