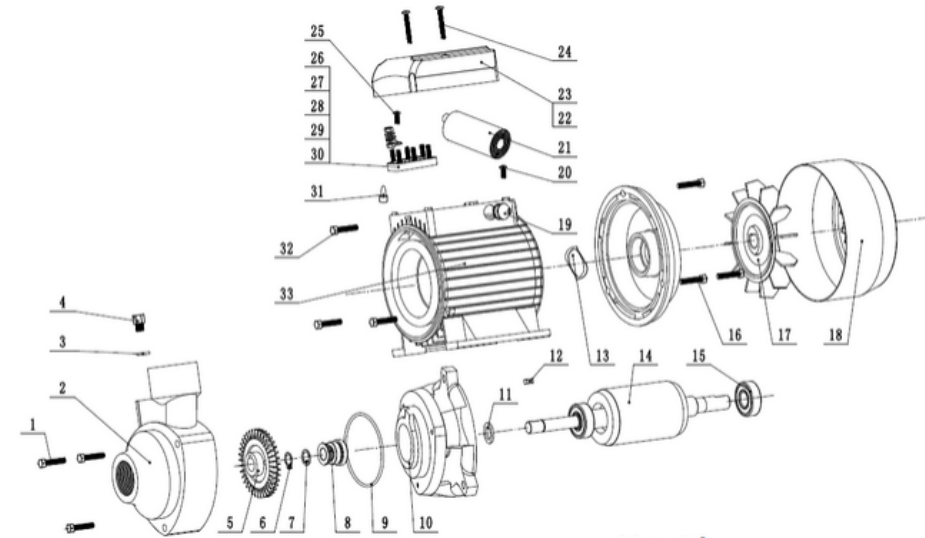
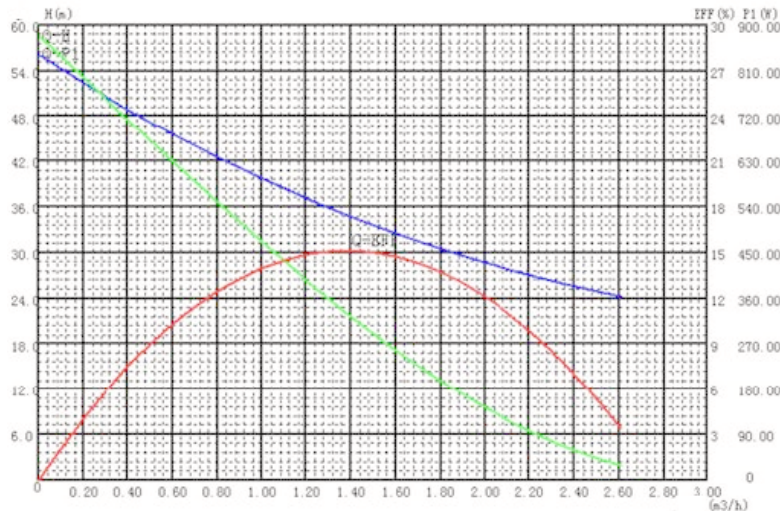


JACKING PUMP 0.7kw FRONT SUCTION

Issue Number	Y19091701	Model	QB80	Frequency V/Hz	240/50			
Date	16/09/2019	Size	In (mm)	25	Power P1 (W)	750W		
			Out (mm)	25	AMPS (A)			
Flow (m ³ /h)	2.6	Impeller	Brass	Power Factor (COS)				
Head (m)	58			Phase	1			
Packing Size	325 x 185 x 210			Speed n (R.P.M)	2850			
Weight (kg)	9.4			Insulation Class I.CL	B			
				Position Difference (m)	0			
Number	Flow: Q (m ³ /h)	Head: H (m)	Volt: V	AMPS: I (A)	Power: P1	Factor: (COSΦ)	Speed n (R.P.M)	EFF (%)
1	2.61	1.630	239.5	2.200	369.70	0.70	2963.0	3.10
2	2.41	3.980	239.5	2.220	377.30	0.71	2961.0	6.90
3	2.21	6.730	239.6	2.250	396.80	0.74	2955.0	10.20
4	1.97	10.400	239.6	2.300	423.20	0.77	2949.0	13.20
5	1.69	13.770	239.8	2.500	497.80	0.83	2939.0	12.70
6	1.41	22.240	239.8	2.560	515.40	0.84	2929.0	15.20
7	1.01	31.620	239.9	2.810	591.20	0.88	2906.0	14.60
8	0.81	36.010	239.9	2.940	629.60	0.89	2896.0	12.60
9	0.39	47.840	240.1	3.350	740.30	0.92	2865.0	7.00
10	0	58.650	240.1	3.740	842.20	0.94	2863.0	0.00



Materials
100% Copper Wire
Motor Bracket: Aluminum
Pump Body: Cast Iron
Impeller: Brass
Cable: 1.3m+AUS PLUG



Pump Performance Curve



No	Component	No	Component	No	Component
1	Front Cover	12	Rotor	22	Screw
2	Tie-Bolt	13	Bearing	23	Terminal Box Bottom
3	Impeller	14	Wave Spring	24	Screw
4	O-Ring	15	Stator	25	Capacitor
5	Shaft Circlip	16	End Cover	26	Terminal Box Cover
6	Mechanical Seal	17	Fan	27	Screw
7	O-Ring	18	Motor Tie-Rod	28	Terminal Board
8	Coupling	19	Fan cover	29	Screw
9	Air Faucet	20	Cable Presser	30	Nut
10	Waterproof Ring	21	Screw	31	Washer
11	Key				