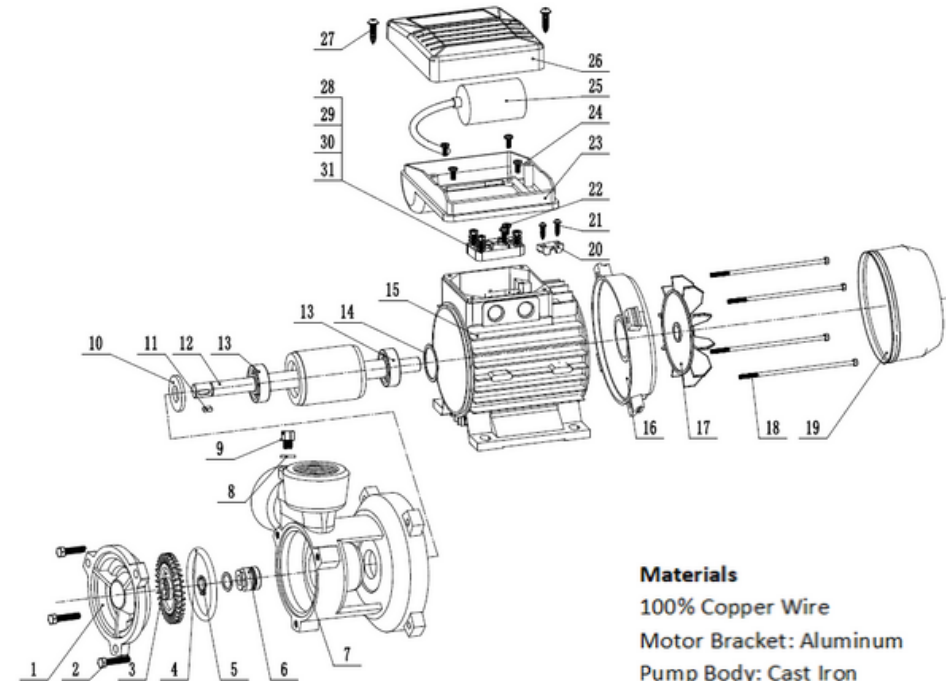
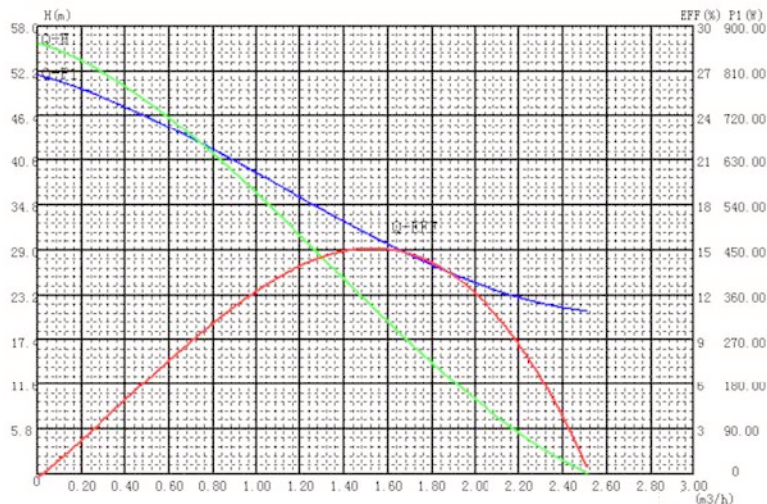


JACKING PUMP 0.7kW SIDE SUCTION

Issue Number	Y19071002	Model	QB80 -Z		Frequency V/Hz	240/50		
Date	16/09/2019	Size	In (mm)	25	Power P1 (W)	750W		
			Out (mm)	25	AMPS (A)			
Flow (m ³ /h)	2.5	Impeller	Brass	Power Factor (COS)				
Head (m)	56			Phase	1			
Packing Size	309 x 189 x 215			Speed n (R.P.M)	2850			
Weight (kg)	9.2			Insulation Class I.CL	B			
				Position Difference (m)	0			
Number	Flow: Q (m ³ /h)	Head: H (m)	Volt: V	AMPS: I (A)	Power: P1	Factor: (COSΦ)	Speed n (R.P.M)	EFF (%)
1	2.51	0.770	240.4	2.030	33.00	0.96	2952.0	1.28
2	2.24	3.990	240.4	2.060	349.00	0.96	2946.0	6.41
3	2	9.190	240.4	2.160	384.00	0.96	2942.0	11.79
4	1.81	12.780	240.4	2.200	406.00	0.97	2939.0	14.17
5	1.62	20.320	240.5	2.460	462.00	0.97	2923.0	15.96
6	1.39	26.780	240.4	2.670	518.00	0.98	2905.0	15.17
7	0.99	36.710	240.5	3.050	607.00	0.98	2874.0	12.16
8	0.71	43.490	240.5	3.320	674.00	0.99	2852.0	8.65
9	0.38	49.560	240.5	3.570	733.00	0.98	2831.0	4.38
10	0	56.350	240.6	3.880	806.00	0.97	2811.0	0.00



Materials
 100% Copper Wire
 Motor Bracket: Aluminum
 Pump Body: Cast Iron
 Impeller: Brass
 Cable: 1.3m+AUS PLUG



No	Component	No	Component	No	Component
1	Front Cover	12	Rotor	22	Screw
2	Tie-Bolt	13	Bearing	23	Terminal Box Bottom
3	Impeller	14	Wave Spring	24	Screw
4	O-Ring	15	Stator	25	Capactor
5	Shaft Circlip	16	End Cover	26	Terminal Box Cover
6	Mechanical Seal	17	Fan	27	Screw
7	Coupling	18	Motor Tie-Rod	28	Terminal Board
8	O-Ring	19	Fan cover	29	Screw
9	Air Faucet	20	Cable Presser	30	Nut
10	Waterproof Ring	21	Screw	31	Washer
11	Key				

Pump Performance Curve