

Double Check Detector Assemblies - Model DCDA

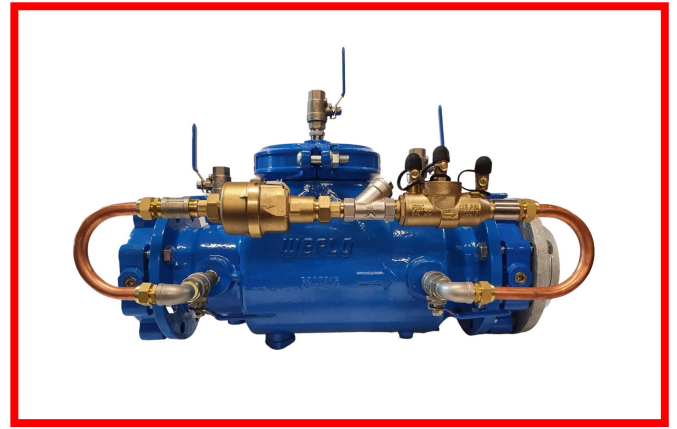
General Description

Weflo Double Check Detector Assemblies are designed to eliminate contamination from cross connections in a potable water system by preventing the reverse flow of polluted water from entering the potable water supply.

The Double Check Detector Assembly has two check modules as DCV, and add a DN20 Bypass line with a water meter to allow monitoring of small draw-offs of water.

Part List

- ①Body:
- ②Cover: Ductile Iron, ASTM A563 Gr.65-45-12
- ③DC Disc Assembly: Nylon + Stainless Steel
- ④Washer:
- ⑤2nd Retaining Ring: Stainless Steel , ATSM 276 type 316
- ⑥1st Retaining Ring: Stainless Steel , ATSM 276 type 316
- ⑦O-Ring: Rubbe; r,NBR
- ⑧Bolt & Washer: Stainless Steel , ATSM 276 type 316
- ⑨Plate: Ductile Iron, ASTM A563 Gr.65-45-12
- ⑩Grooved Coupling: Malleable Iron
- ⑪Ball Valve:
- ⑫Nipple: Stainless Steel , ATSM 276 type 316
- ⑬Nipple: Stainless Steel , ATSM A351 type CF8M
- ⑭Ball Valve: Stainless Steel , ATSM A351 type CF8M
- ⑮90° Elbow: Stainless Steel , ATSM A351 typeCF8M
- ⑯Union: Brass
- ⑰Elbow Pipe: Red Copper
- ⑱Strainer: Stainless Steel , ATSM A351 type CF8M
- ⑲SD-DCV20T: Bronze
- ⑳Socket: Stainless Steel , ATSM A351 type CF8M

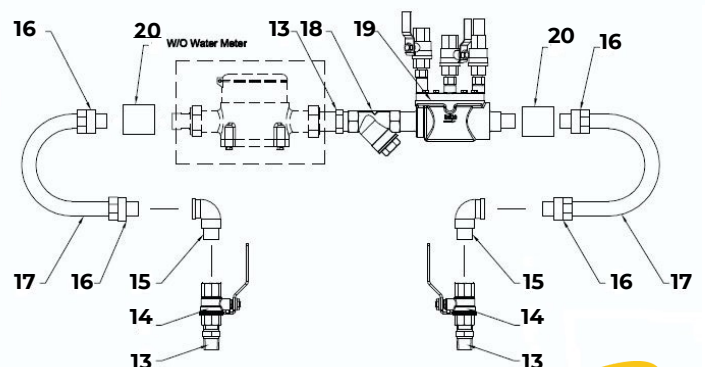
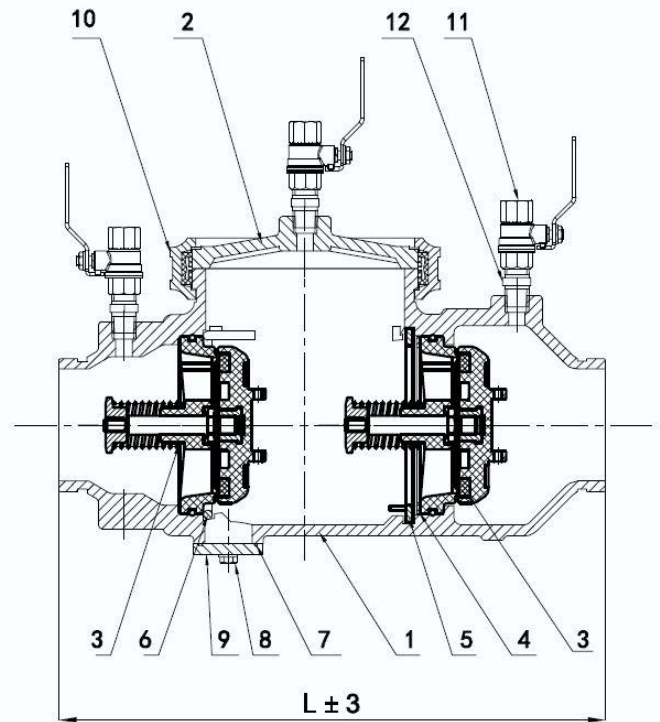


Technical Data

- Working Temperature: Cold Water, not exceeding 40°C
- Maximum Working Pressure: 175psi (12.1 bar)

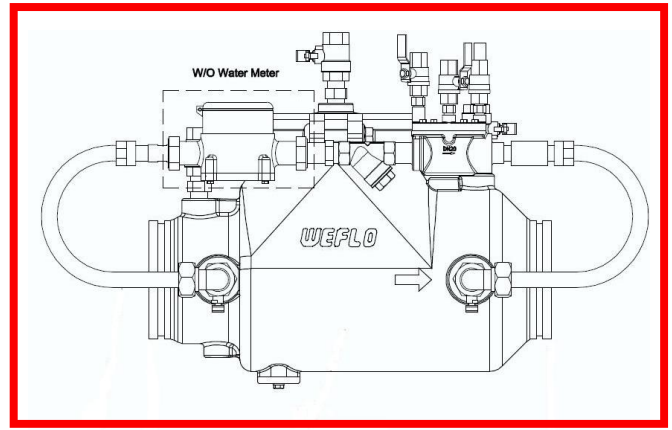
Specifications

- AS/NZS 28451
- Connections: Table E, Roll Grooved



Double Check Detector Assemblies -

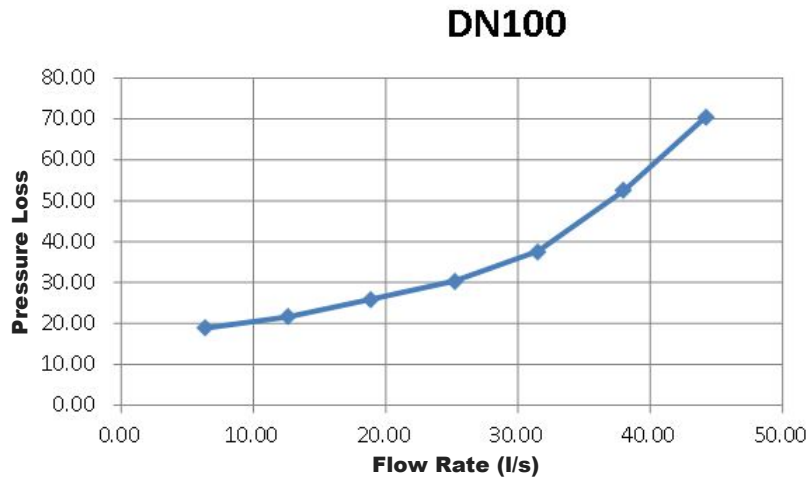
Dimensions



Size (mm)	FQ Code	Connection	Length (L)
100	CVDD100/20W	Table E	510
100	CVDD100/20WRG	RG	470
150	CVDD150/20W	Table E	625
150	CVDD150/20WRG	RG	578

Flow Characteristic Curve

FLOW l/s	ΔP Kpa
6.30	18.90
12.60	21.64
18.90	25.92
25.20	30.37
31.50	37.64
38.00	52.52
44.20	70.51



FLOW l/s	ΔP Kpa
16.60	20.90
31.50	24.37
47.20	28.40
63.50	35.37
79.00	54.04
94.70	76.89
110.60	103.74
126.30	132.64

